

# KR Electronics, Inc.

## General Description

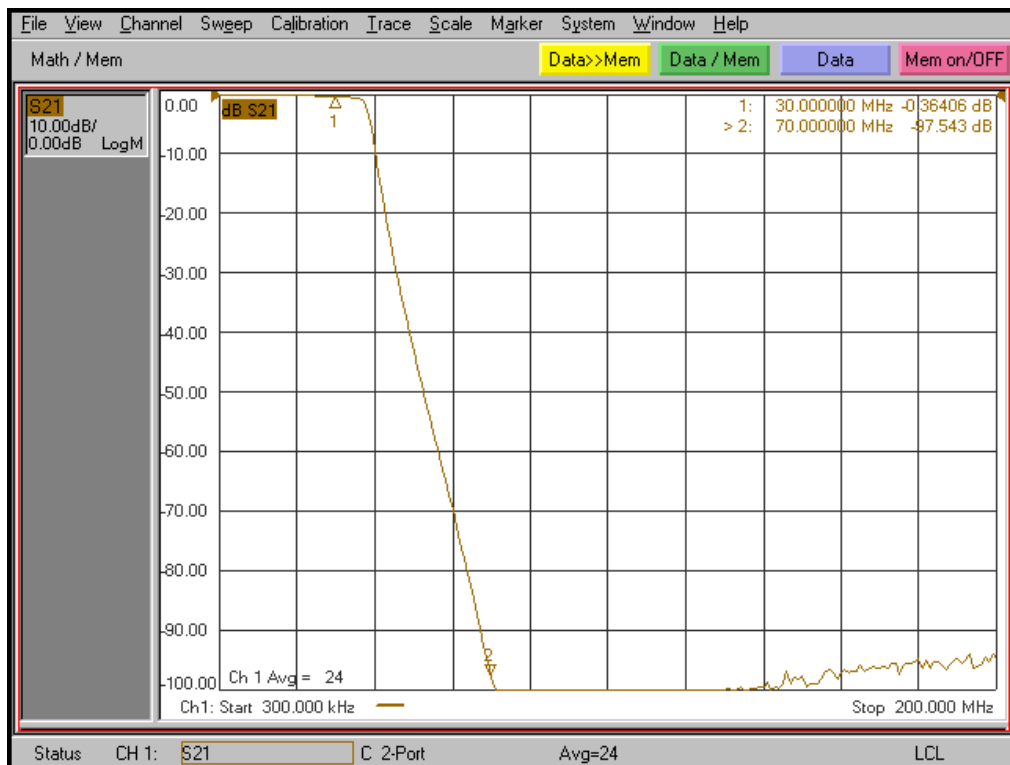
KR Electronics part number 3195 is a 30 MHz lowpass filter. The filter attains over 83 dB rejection by 70 MHz. Other frequencies are available. Please consult the factory.

### Features

- 30 MHz Lowpass Filter
- 83 dB Rejection by 70 MHz
- Selective Elliptic Filter
- 50  $\Omega$  Source and Load
- Surface Mount
- SMA Connectors Available

## Typical Performance

### Overall Response (10 dB/div)

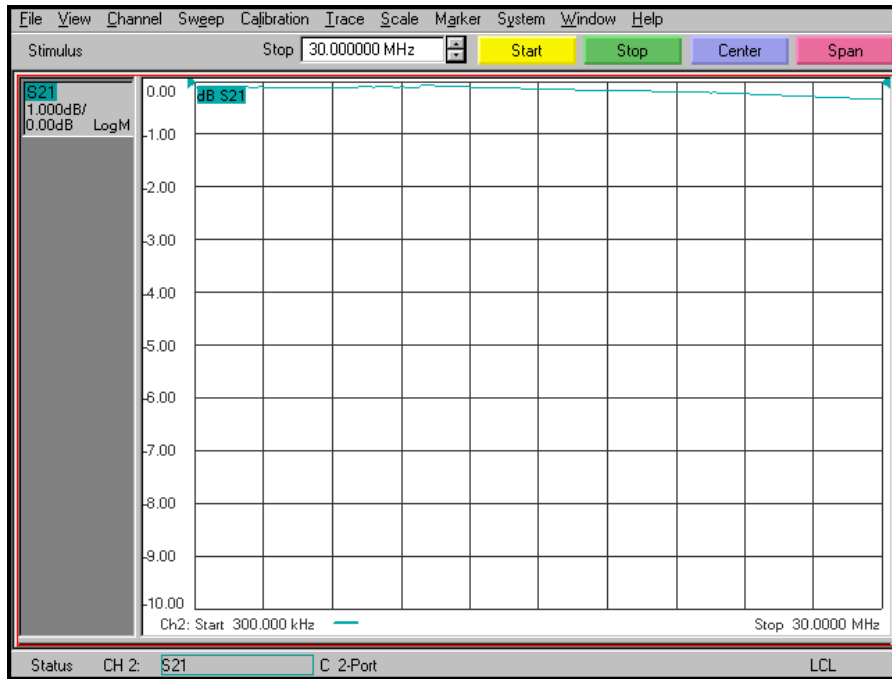


KR Electronics, Inc.  
91 Avenel Street  
Avenel, NJ 07001

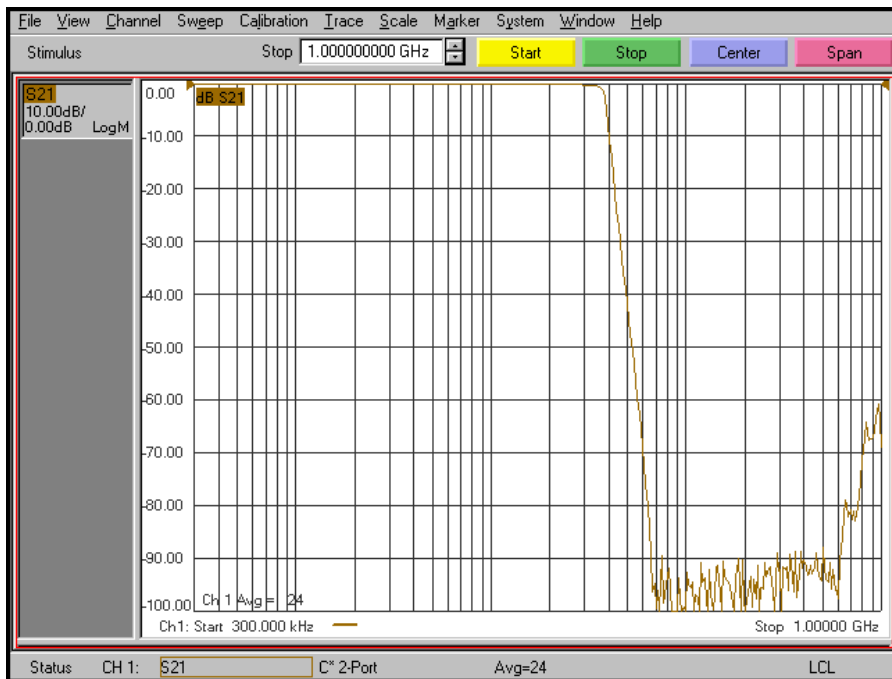
Web [www.krfilters.com](http://www.krfilters.com)  
Email [sales@krfilters.com](mailto:sales@krfilters.com)  
Phone (732) 636-1900  
Fax (732) 636-1982

# KR Electronics 3195

## Passband Amplitude (1 dB/div)



## Overall Response (10 dB/div)



KR Electronics, Inc.  
91 Avenel Street  
Avenel, NJ 07001

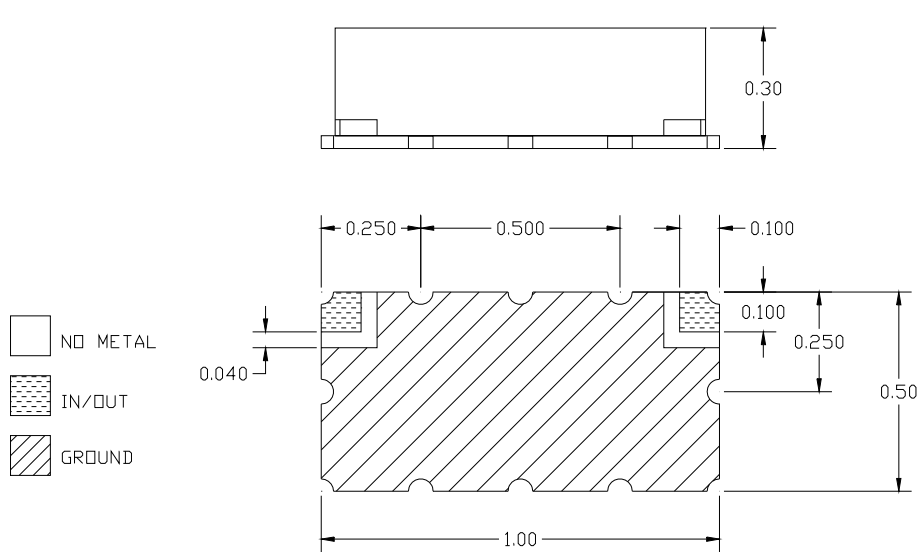
Web [www.krfilters.com](http://www.krfilters.com)  
Email [sales@krfilters.com](mailto:sales@krfilters.com)  
Phone (732) 636-1900  
Fax (732) 636-1982

# KR Electronics 3195

## Specifications

Parameter	Specification	Notes
Filter type	Lowpass	
Insertion Loss DC to 30 MHz	1 dB max	
Rejection 70 MHz to 200 MHz	83 dB min	
Input Return Loss DC to 30 MHz	20 dB min	
Source and Load	50 Ω	

## Physical Dimensions



### Notes:

1. Surface mount package
2. Dimensions in inches
3. Max reflow temperature 230° C for 10 sec
4. If boards are cleaned after installation units must be completely dried