

KR Electronics, Inc.

General Description

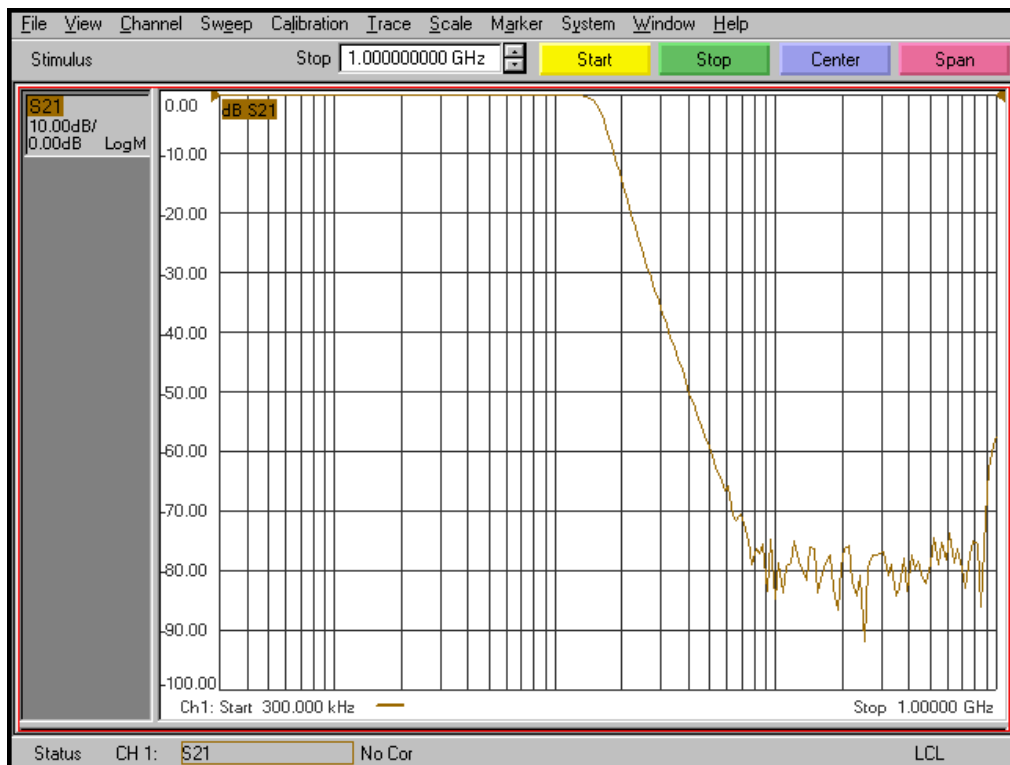
KR Electronics part number 3214-12+ is a 12 MHz Lowpass filter. Other frequencies are available. Please consult the factory.

Features

- 12 MHz Lowpass Filter
- 40 dB Bandwidth 33 MHz typical
- 50 Ω Source and Load
- Surface Mount

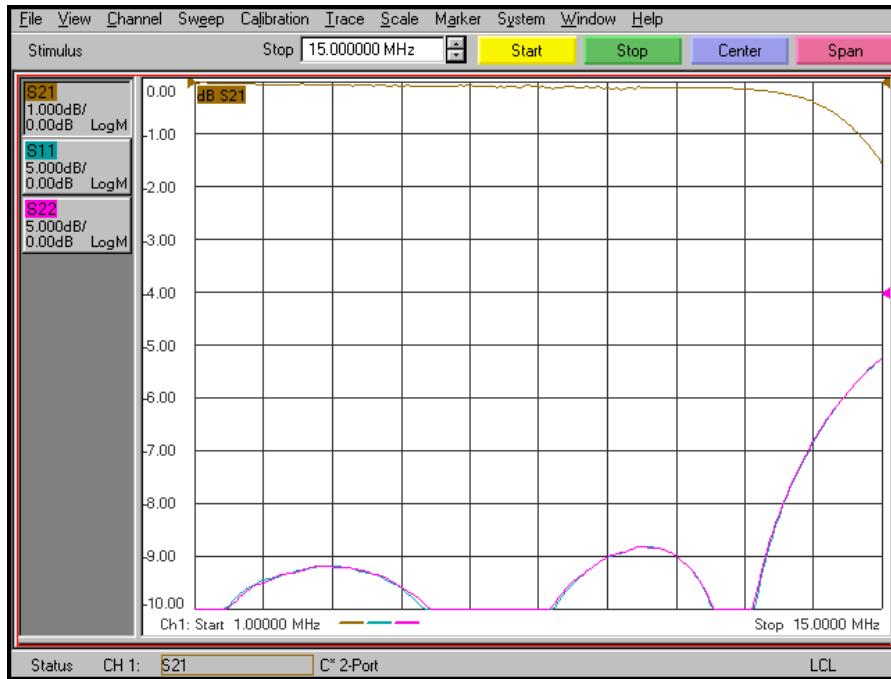
Typical Performance

Overall Response (10 dB/div)

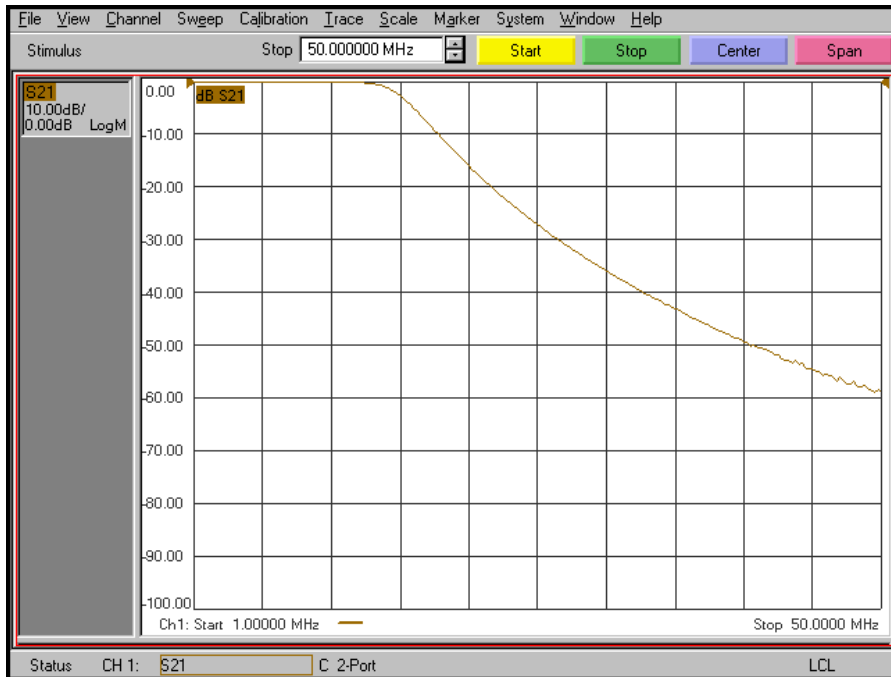


KR Electronics 3214-12+

Passband Amplitude & Return Loss (1 dB/div & 5 dB/div)



Overall Response (10 dB/div)



KR Electronics, Inc.
91 Avenel Street
Avenel, NJ 07001

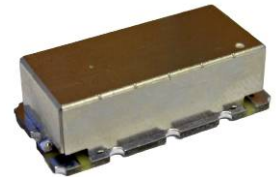
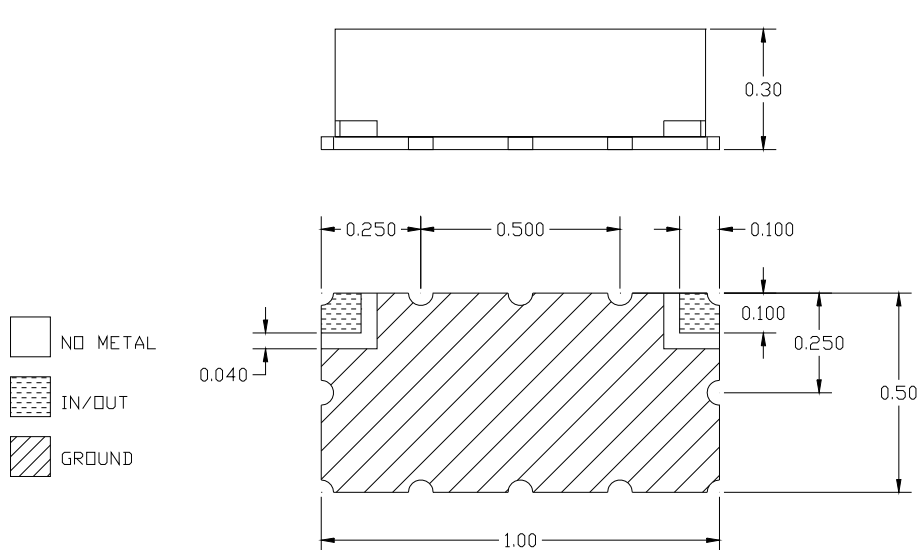
Web www.krfilters.com
Email sales@krfilters.com
Phone (732) 636-1900
Fax (732) 636-1982

KR Electronics 3214-12+

Specifications

Parameter	Specification	Notes
Filter type	Lowpass	
Center Frequency	12 MHz	
Insertion Loss	1 dBa max	< 0.2 dBa typical
1 dB Bandwidth	12 MHz min	14.7 MHz typical
3 dB Bandwidth	16 MHz typical	
40 dB Bandwidth	33 MHz typical	
50 dB Bandwidth	41 MHz typical	
60 dB Bandwidth	51 MHz typical	
Source and Load	50 Ω	

Physical Dimensions



Notes:

1. Surface mount package
2. Dimensions in inches
3. Max reflow temperature 230° C for 10 sec
4. If boards are cleaned after installation units must be completely dried