

KR Electronics, Inc.

General Description

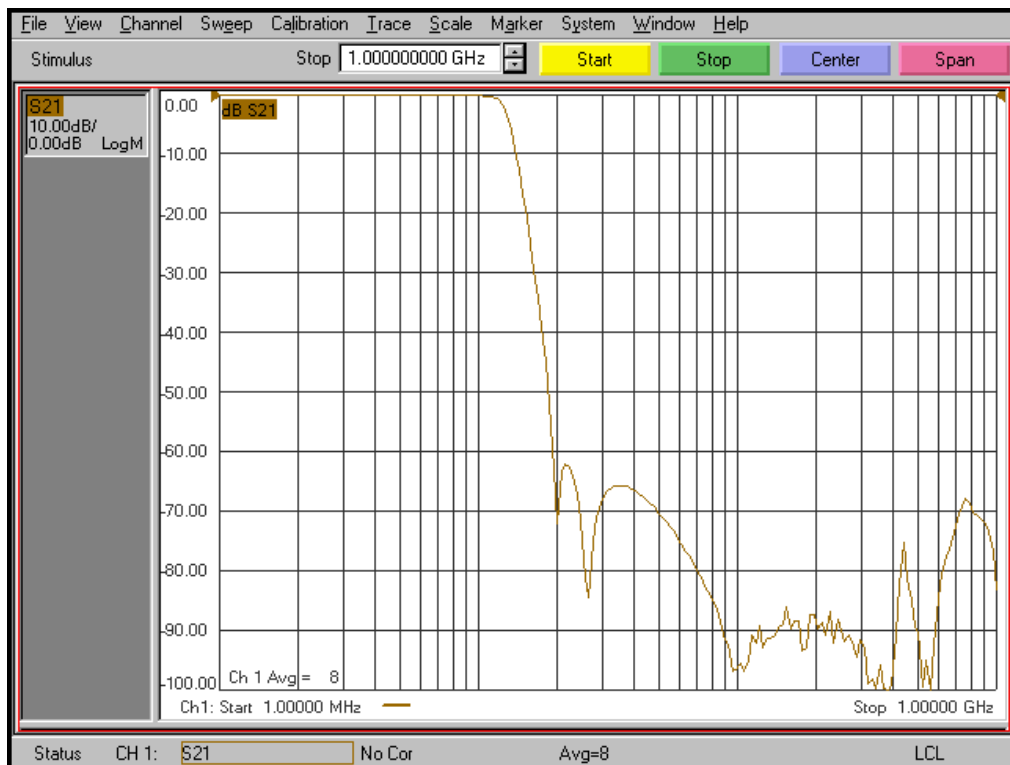
KR Electronics part number 3275 is a 10 MHz Lowpass filter. The filter has attains 55 dB min rejection by 20 MHz. Other frequencies are available. Please consult the factory.

Features

- 10 MHz Lowpass Filter
- 0.5 dB max at 10 MHz
- 55 dB min by 20 MHz
- Selective Elliptic Response
- 50Ω Source & Load
- Other frequencies available
- Also available with SMA Connectors

Typical Performance

Overall Response (10 dB/div)

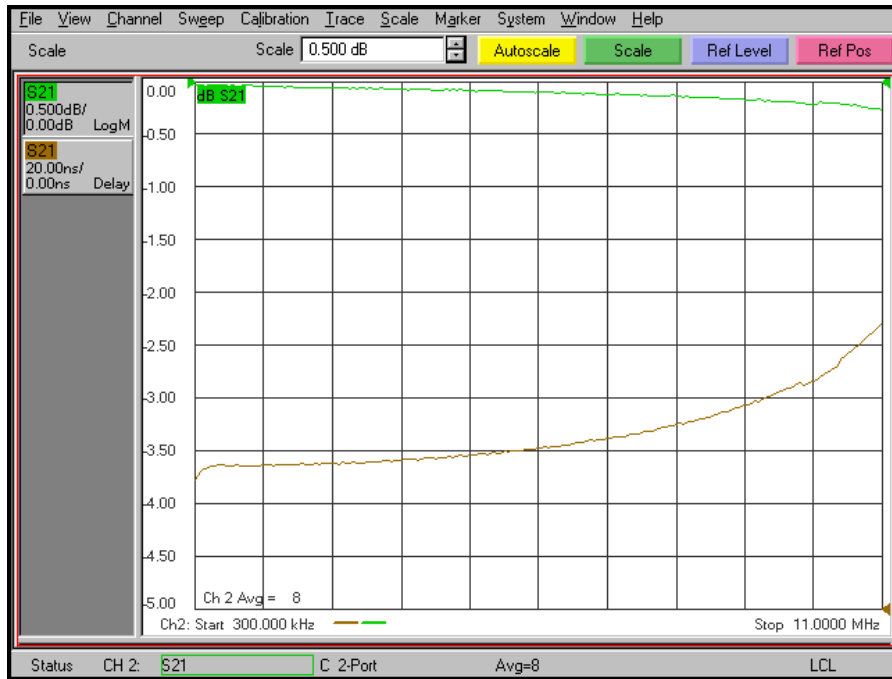


KR Electronics, Inc.
91 Avenel Street
Avenel, NJ 07001

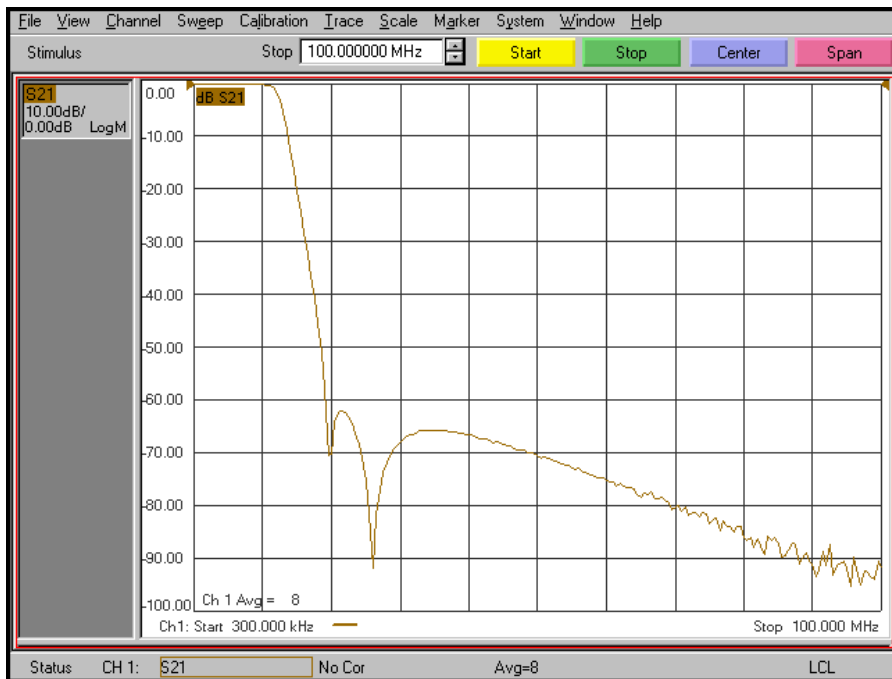
Web www.krfilters.com
Email sales@krfilters.com
Phone (732) 636-1900
Fax (732) 636-1982

KR Electronics 3275

Passband Amplitude & Group Delay (0.5 dB/div & 20 nsec/div)



Overall Response (10 dB/div)



KR Electronics, Inc.
91 Avenel Street
Avenel, NJ 07001

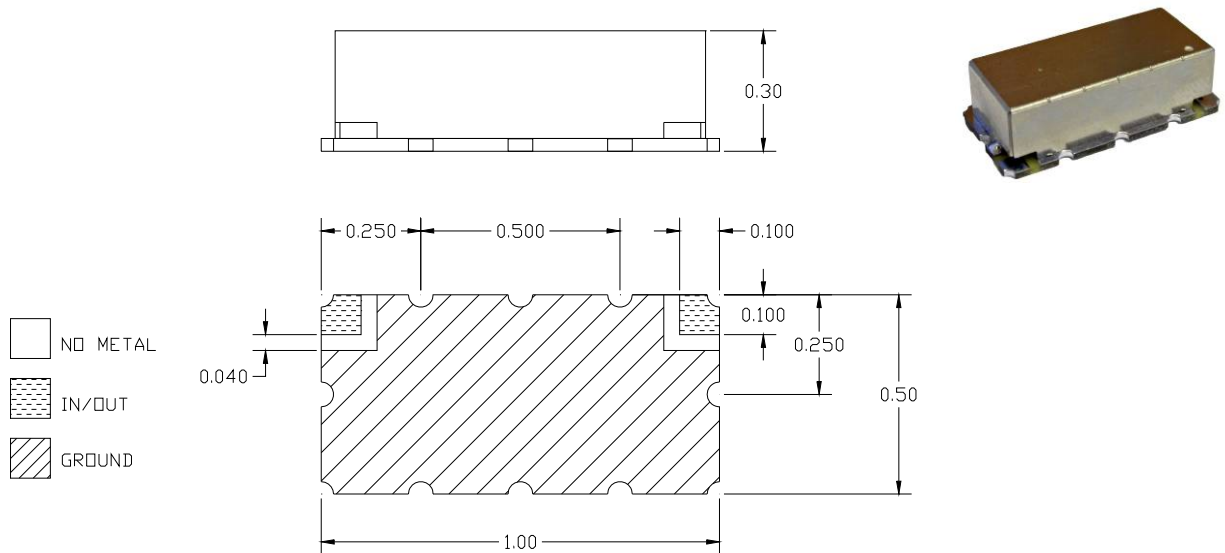
Web www.krfilters.com
Email sales@krfilters.com
Phone (732) 636-1900
Fax (732) 636-1982

KR Electronics 3275

Specifications

Parameter	Specification	
Filter type	Lowpass	
Center Frequency	10 MHz	
DC to 10 MHz	0.5 dB max	0.2 dB typical
20 MHz to 1000 MHz	55 dB min	
Source and Load	50 Ω	

Physical Dimensions



Notes:

1. Surface mount package
2. Dimensions in inches
3. Max reflow temperature 230° C for 10 sec
4. If boards are cleaned after installation units must be completely dried

KR Electronics, Inc.
91 Avenel Street
Avenel, NJ 07001

Web www.krfilters.com
Email sales@krfilters.com
Phone (732) 636-1900
Fax (732) 636-1982