

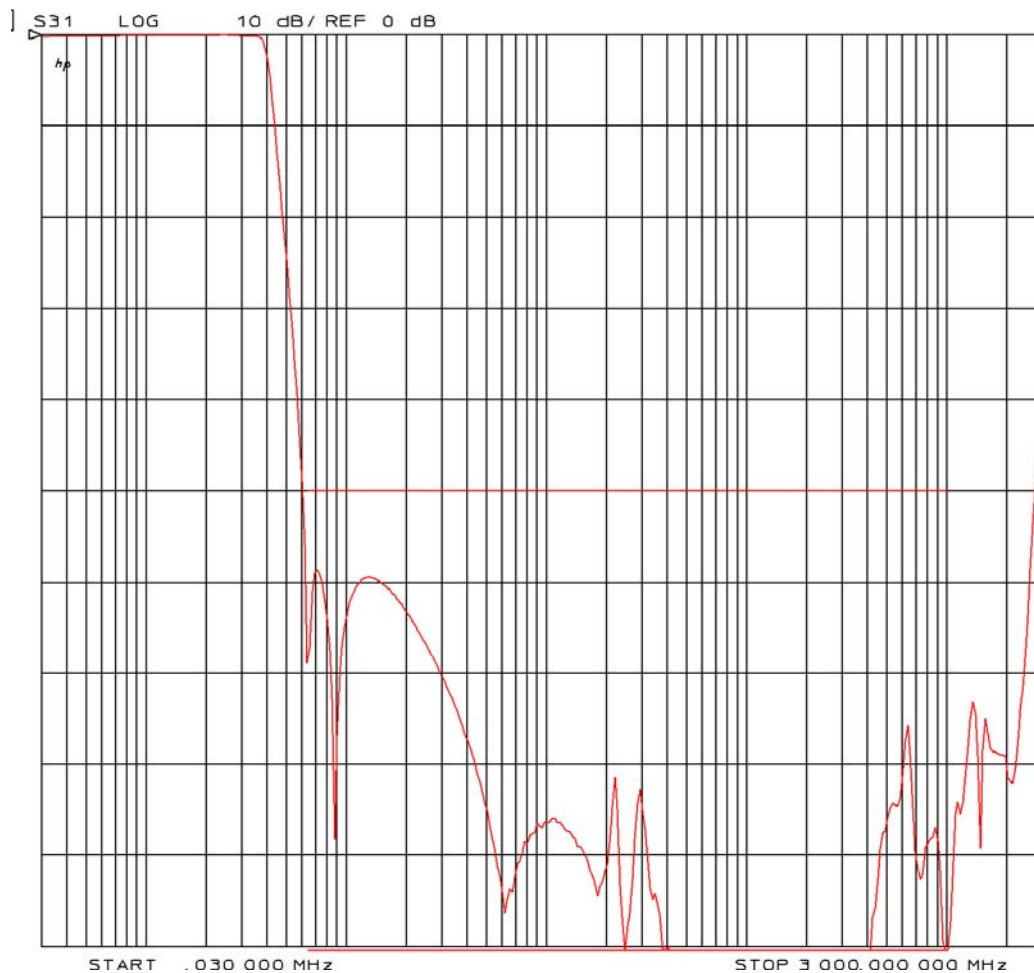
General Description

KR Electronics part number 3385-N is a 400 KHz lowpass Filter. The filter maintains 50 dB min rejection to 1 GHz. Other center frequencies and bandwidths are available. Please consult the factory.

Features

- 400 KHz Lowpass Filter
- Selective Elliptic Type
- 50 dB min Rejection to 1 GHz
- 50 Ω Source and Load
- N(F) to N(M) Connectors

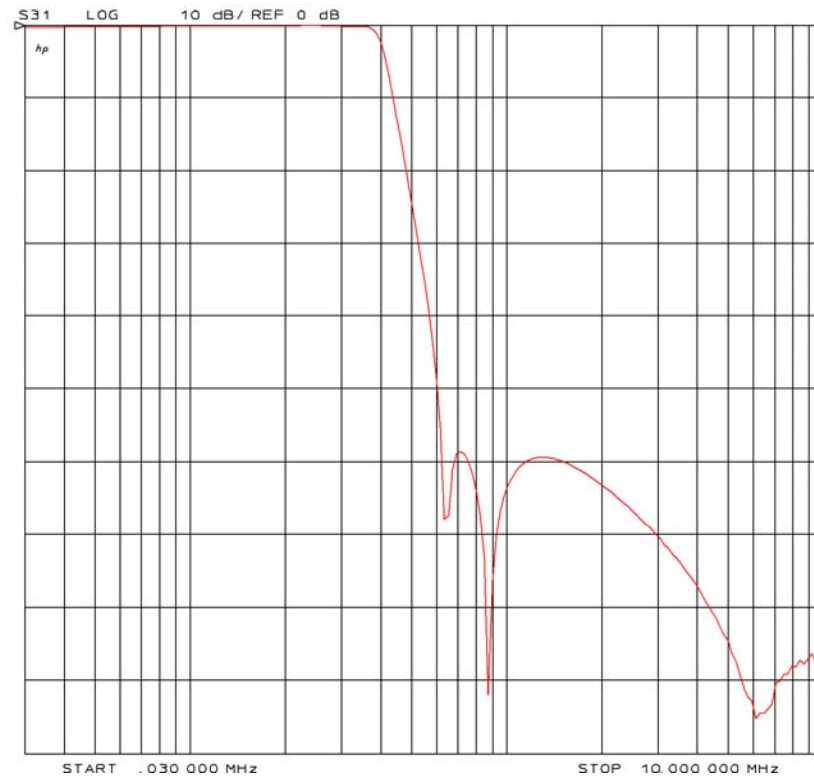
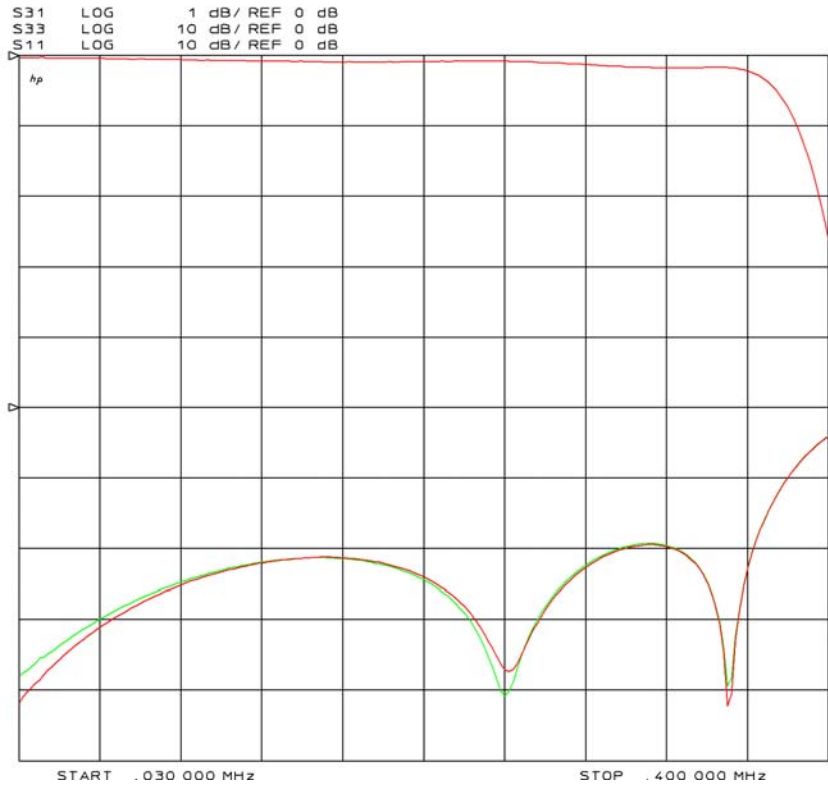
Typical Performance



KR Electronics, Inc.
91 Avenel Street
Avenel, NJ 07001

Web www.krfilters.com
Email sales@krfilters.com
Phone (732) 636-1900
Fax (732) 636-1982

KR Electronics 3385-N



KR Electronics, Inc.
 91 Avenel Street
 Avenel, NJ 07001

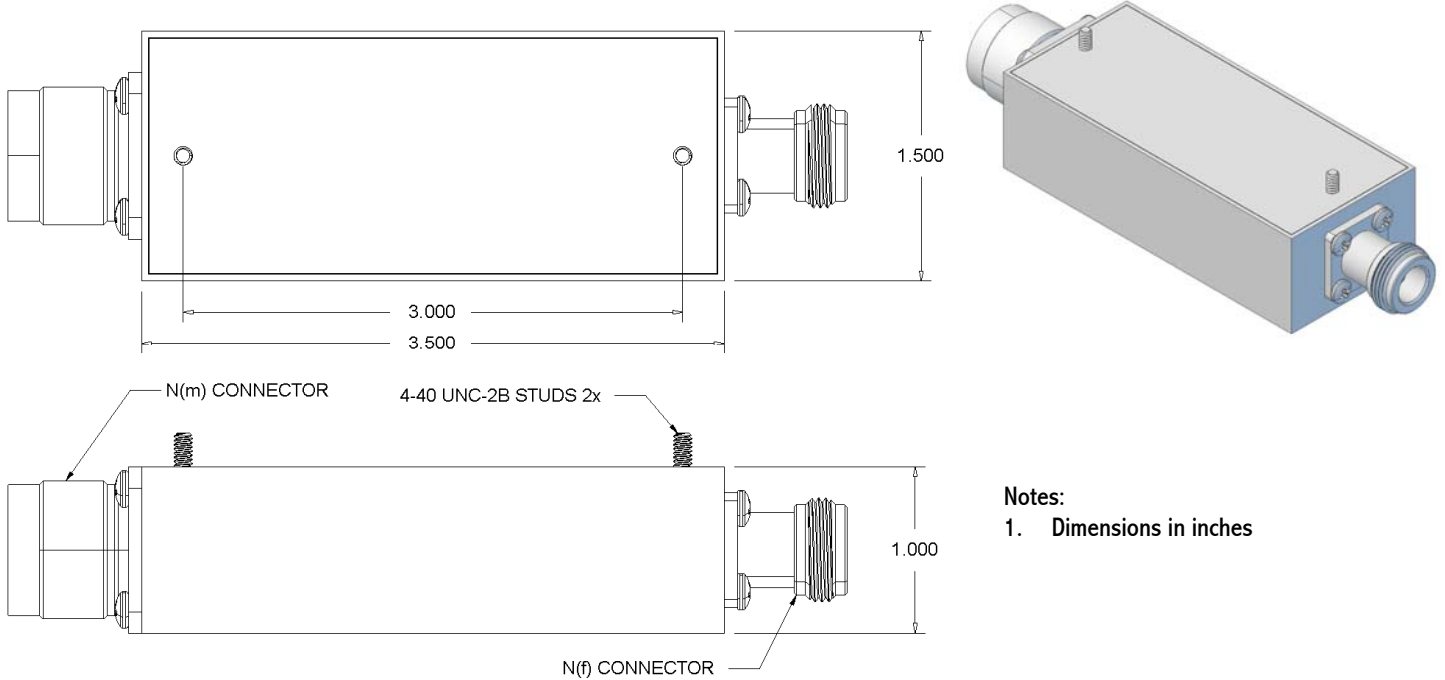
Web www.krfilters.com
 Email sales@krfilters.com
 Phone (732) 636-1900
 Fax (732) 636-1982

KR Electronics 3385-N

Specifications

Parameter	Specification	Typical/Notes
KR Electronics Part Number	3385-N	
Filter Type	Lowpass	
Passband	DC to 400 KHz	
Rejection at 400 KHz	3 dB \pm 0.5 dB	
Rejection 640 KHz to 1 GHz	50 dB min	
Source and Load	50 Ω	

Physical Dimensions



Notes:
1. Dimensions in inches

KR Electronics, Inc.
91 Avenel Street
Avenel, NJ 07001

Web www.krfilters.com
Email sales@krfilters.com
Phone (732) 636-1900
Fax (732) 636-1982