

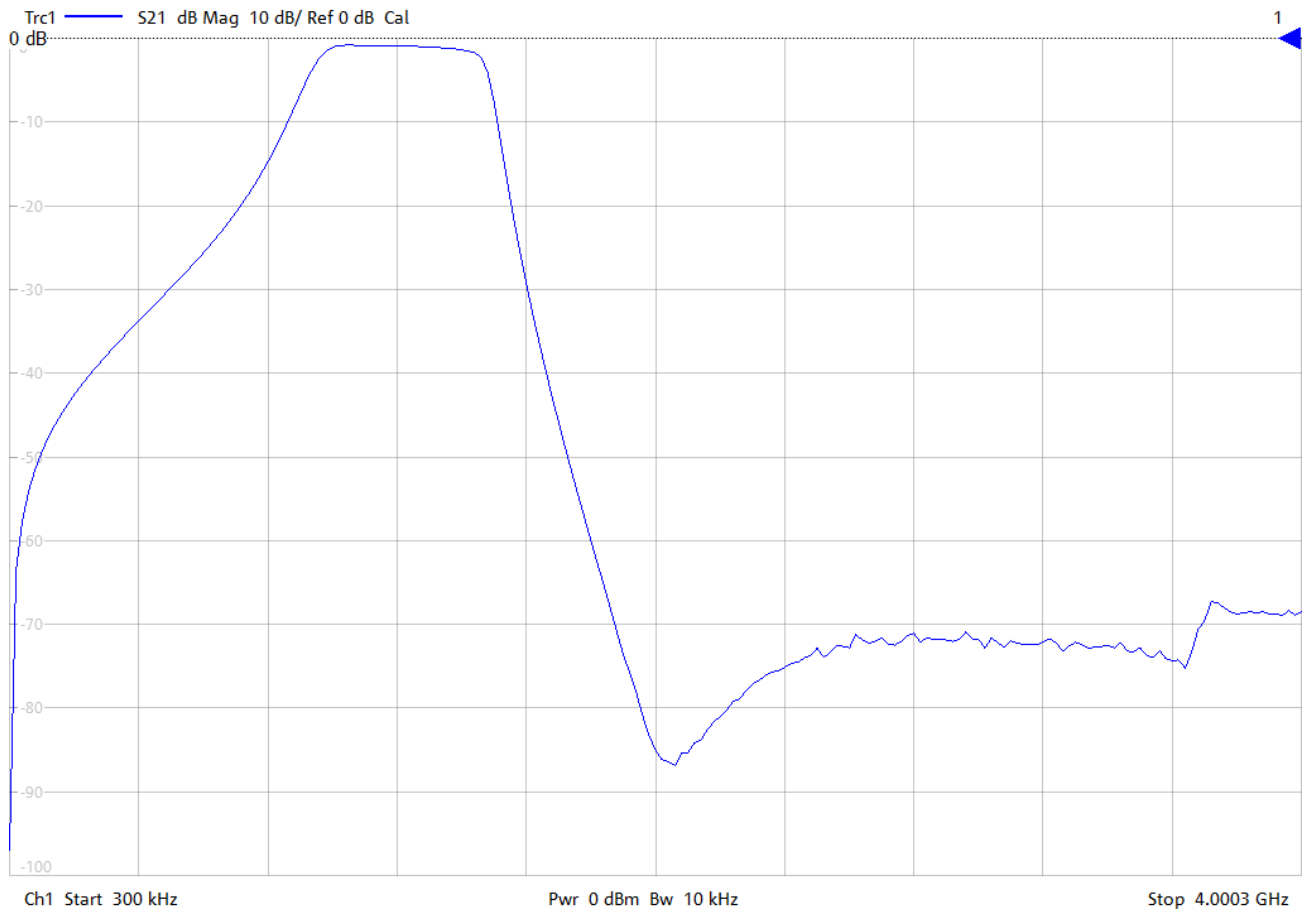
## General Description

KR Electronics part number 3379-SMA is a 1200 MHz Bandpass filter. The filter has a 3 dB bandwidth of 600 MHz  $\pm$ 15% max. Other center frequencies and bandwidths are available. Please consult the factory.

## Features

- 1200 MHz Bandpass Filter
- 3 dB Bandwidth 600 MHz  $\pm$ 15%
- 40 dB Bandwidth 1435 MHz typical
- 50  $\Omega$  Source and Load
- SMA Connectors
- Surface Mount Available

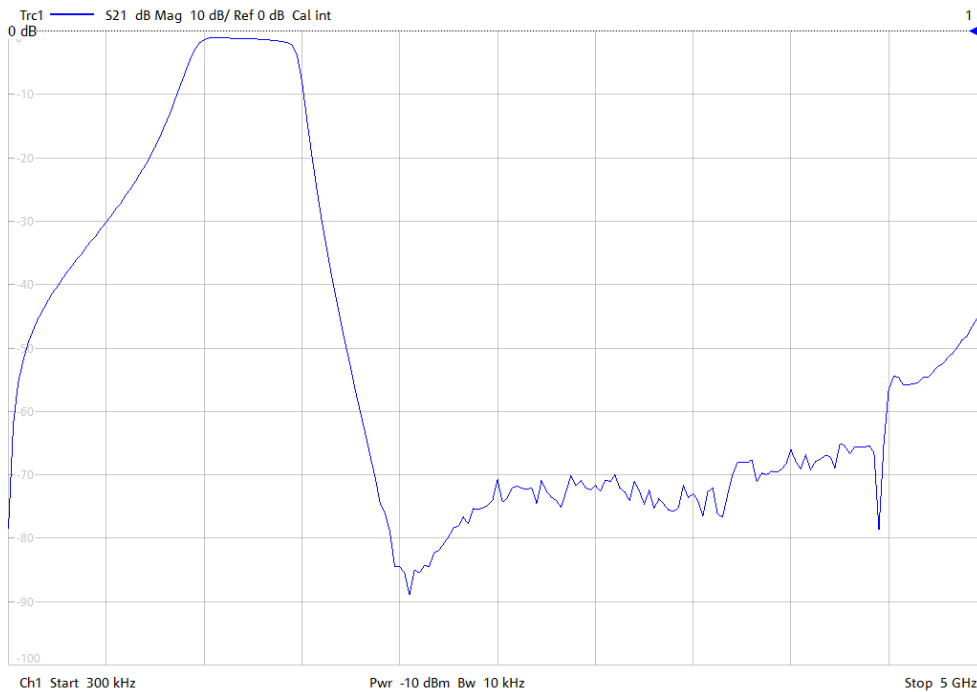
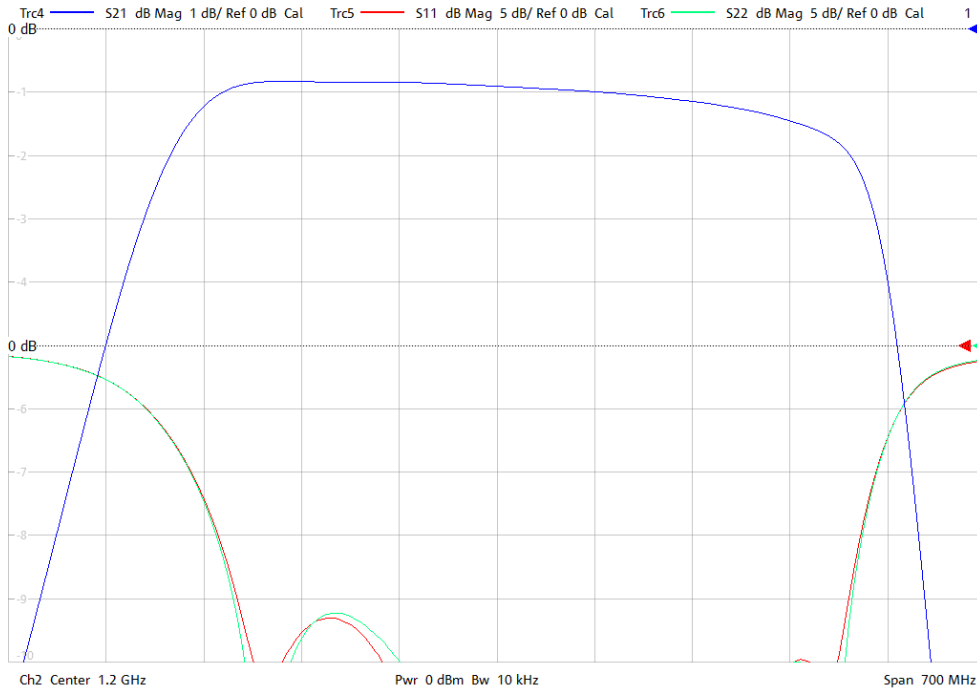
## Typical Performance



KR Electronics, Inc.  
91 Avenel Street  
Avenel, NJ 07001

Web [www.krfilters.com](http://www.krfilters.com)  
Email [sales@krfilters.com](mailto:sales@krfilters.com)  
Phone (732) 636-1900  
Fax (732) 636-1982

# KR Electronics 3379-SMA



KR Electronics, Inc.  
91 Avenel Street  
Avenel, NJ 07001

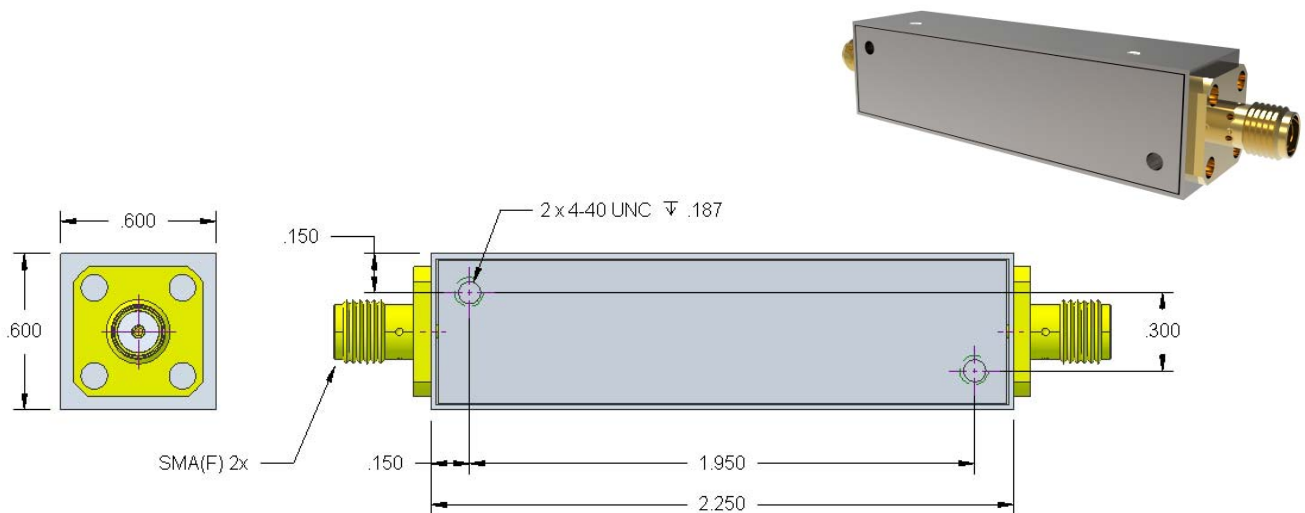
Web [www.krfilters.com](http://www.krfilters.com)  
Email [sales@krfilters.com](mailto:sales@krfilters.com)  
Phone (732) 636-1900  
Fax (732) 636-1982

# KR Electronics 3379-SMA

## Specifications

Parameter	Specification	Notes
Filter type	Bandpass	
Center Frequency	1200 MHz	
Insertion Loss	2 dBa max	0.8 dBa typical
1 dBc Bandwidth	475 MHz typical	
3 dBc Bandwidth	600 MHz $\pm$ 15%	544 MHz typical
40 dBc Bandwidth	1435 MHz typical	
60 dBc Bandwidth	1780 MHz typical	
Source and Load	50 $\Omega$	

## Physical Dimensions



**Notes:**

1. Dimensions in inches
2. Rectangular case
3. Also available in surface mount package