

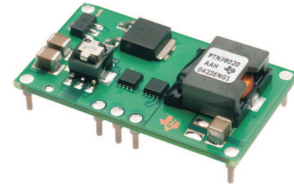
25-W, WIDE-INPUT ADJUSTABLE POSITIVE-TO-NEGATIVE VOLTAGE REGULATOR MODULE

FEATURES

- 4-A Output Current
- Wide-Input Voltage (9 V to 29 V)
- Wide-Output Voltage Adjust (–15 V to –3 V)
- High Efficiency (Up to 87%)
- Output Current Limit
- Overtemperature Shutdown
- Undervoltage Lockout
- Operating Temperature: –40°C to 85°C
- Surface-Mount Package Available

APPLICATIONS

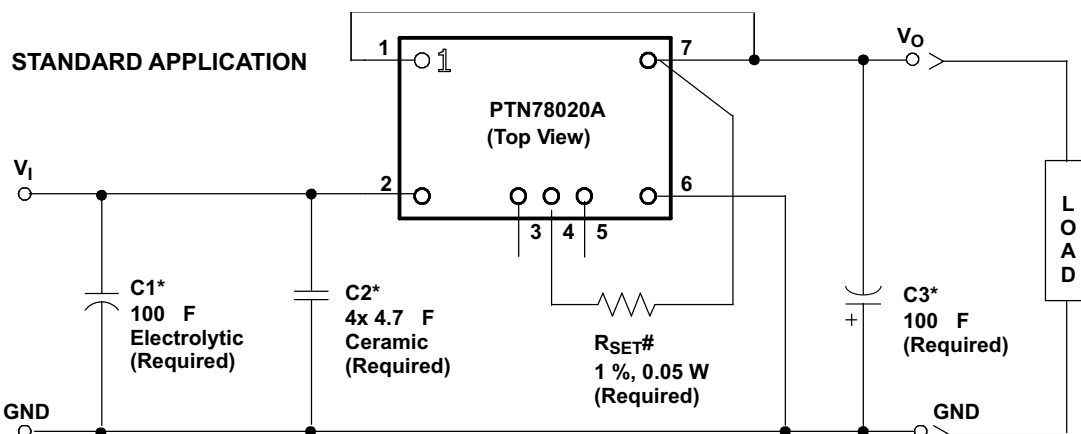
- General-Purpose, Industrial Controls, HVAC Systems, Test and Measurement, Medical Instrumentation, AC/DC Adaptors, Vehicles, Marine, and Avionics



DESCRIPTION

The PTN78020A is a series of high-efficiency buck-boost-integrated switching regulators (ISR), that represent the third generation in the evolution of high-performance power modules designed for industrial use. The wide-input voltage range makes these modules suitable for a variety of applications that operate off 12–V, 24–V, and tightly-regulated 28–V dc power. In new designs, they should be considered in place of the PT6640 and PT78NR100 series of single in-line pin (SIP) products. The PTN78020A is smaller and lighter than its predecessors, and has either similar or improved electrical performance characteristics. The caseless, double-sided package has excellent thermal characteristics, and is compatible with TI's roadmap for RoHS and lead-free compliance.

The PTN78020A operates over an input voltage range of 9 V to 29 V, and provides high-efficiency, positive-to-negative voltage conversion for loads of up to 4 A. The output voltage is set using a single external resistor, and may be adjusted to any value within the range, –15 V to –3 V.



*See the *Application Information* for capacitor recommendation.

R_{SET} is required to adjust the output voltage lower than –3 V. See the *Application Information* for values.



Please be aware that an important notice concerning availability, standard warranty, and use in critical applications of Texas Instruments semiconductor products and disclaimers thereto appears at the end of this data sheet.



These devices have limited built-in ESD protection. The leads should be shorted together or the device placed in conductive foam during storage or handling to prevent electrostatic damage to the MOS gates.

ORDERING INFORMATION

| PTN78020 (Basic Model) | | | |
|------------------------|-------------------------------|---------------------------|--------------------|
| Output Voltage | Part Number | Description | Package Designator |
| –15 V to –3 V | PTN78020AAH | Horizontal T/H (Pb-free) | EUK-7 |
| | PTN78020AAS ⁽¹⁾⁽²⁾ | Horizontal SMD (standard) | EUL-7 |
| | PTN78020AAZ ⁽¹⁾⁽³⁾ | Horizontal SMD (Pb-free) | EUL-7 |

- (1) Add a T suffix for tape and reel option on SMD packages.
 (2) *Standard option* specifies Sn/Pb solder ball material.
 (3) *Lead (Pb) - free option* specifies Sn/Ag solder ball material.

ABSOLUTE MAXIMUM RATINGS ⁽¹⁾

over operating free-air temperature range unless otherwise noted
 all voltages with respect to GND

| | | | UNIT |
|----------------|--------------------------------|--|-------------------------------------|
| T _A | Operating free-air temperature | Over V _I range | –40°C to 85°C |
| | Solder reflow temperature | Surface temperature of module body or pins | Horizontal SMD (suffix AS) 235°C |
| | | | Horizontal SMD (suffix AZ) 260°C |
| T _S | Storage temperature | | –40°C to 125°C |
| P _O | Output power | V _O ≥ 12 V | 25 W |

- (1) Stresses beyond those listed under absolute maximum ratings may cause permanent damage to the device. These are stress ratings only, and functional operation of the device at these or any other conditions beyond those indicated under recommended operating conditions is not implied. Exposure to absolute-maximum-rated conditions for extended periods may affect device reliability.

RECOMMENDED OPERATING CONDITIONS

| | | MIN | MAX | UNIT |
|----------------|--------------------------------|-----|----------------------|------|
| V _I | Input voltage | 9 | 32 – V _O | V |
| T _A | Operating free-air temperature | –40 | 85 | °C |

PACKAGE SPECIFICATIONS

| PTN78020x (Suffix AH, AS, & AZ) | | | |
|---------------------------------|--|-----------------------------------|-----------------------|
| Weight | | | 7.3 grams |
| Flammability | Meets UL 94 V-O | | |
| Mechanical shock | Per Mil-STD-883D, Method 2002.3, 1 ms, ½ sine, mounted | Horizontal T/H (suffix AH) | 250 Gs ⁽¹⁾ |
| | | Horizontal SMD (suffix AS and AZ) | 125 Gs ⁽¹⁾ |
| Mechanical vibration | Mil-STD-883D, Method 2007.2, 20-2000 Hz | Horizontal T/H (suffix AH) | 20 Gs ⁽¹⁾ |
| | | Horizontal SMD (suffix AS and AZ) | 10 Gs ⁽¹⁾ |

- (1) Qualification limit.

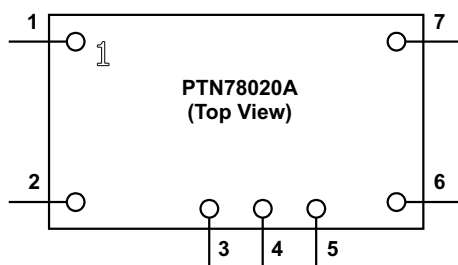
ELECTRICAL CHARACTERISTICS

operating at 25°C free-air temperature, $V_I = 20\text{ V}$, $V_O = -5\text{ V}$, $I_O = I_O(\text{max})$, $C_I = 100\text{ }\mu\text{F}$ and $4 \times 4.7\text{ }\mu\text{F}$, $C_O = 100\text{ }\mu\text{F}$ (unless otherwise noted)

| PARAMETER | | TEST CONDITIONS | MIN | TYP | MAX | UNIT | |
|---------------------|--------------------------------|---|----------------------|----------|-------|--------------------------|---|
| I_O | Output current | $T_A = 25^\circ\text{C}$, natural convection airflow | $V_O = -3\text{ V}$ | 0.1 | | 4 ⁽¹⁾ | A |
| | | | $V_O = -5\text{ V}$ | 0.1 | | 4 ⁽¹⁾ | |
| | | | $V_O = -12\text{ V}$ | 0.1 | | 2.1 ⁽¹⁾ | |
| | | | $V_O = -15\text{ V}$ | 0.1 | | 1.67 ⁽¹⁾ | |
| V_I | Input voltage range | Over I_O range | $V_O = -3\text{ V}$ | 9 | | 29 ⁽²⁾ | V |
| | | | $V_O = -5\text{ V}$ | 9 | | 27 ⁽²⁾ | |
| | | | $V_O = -12\text{ V}$ | 9 | | 20 ⁽²⁾ | |
| | | | $V_O = -15\text{ V}$ | 9 | | 17 ⁽²⁾ | |
| V_O | Set-point voltage tolerance | $T_A = 25^\circ\text{C}$ | | | | $\pm 2\%$ ⁽³⁾ | |
| | Temperature variation | -40°C to +85°C | | -0.5% | | | |
| | Line regulation | Over V_I range | | -10 | | mV | |
| | Load regulation | Over I_O range | | -10 | | mV | |
| | Total output voltage variation | Includes set point, line, load -40 < T_A < 85°C | | | | -3% ⁽³⁾ | |
| $V_O(\text{adj})$ | Output voltage adjust range | $9\text{ V} \leq V_I \leq (32 - V_O)\text{ V}$ | -15 | | -3 | V | |
| η | Efficiency | $V_I = 12\text{ V}$, $R_{\text{SET}} = 100\text{ }\Omega$, $V_O = -15\text{ V}$ | | 87% | | | |
| | | $V_I = 12\text{ V}$, $R_{\text{SET}} = 2\text{ k}\Omega$, $V_O = -12\text{ V}$ | | 86% | | | |
| | | $V_I = 20\text{ V}$, $R_{\text{SET}} = 28.7\text{ k}\Omega$, $V_O = -5\text{ V}$ | | 82% | | | |
| | | $V_I = 24\text{ V}$, $R_{\text{SET}} = 221\text{ k}\Omega$, $V_O = -3.3\text{ V}$ | | 77% | | | |
| | Output voltage ripple | 20-MHz bandwidth | | 1% V_O | | $V_{(\text{PP})}$ | |
| $I_{O(\text{LIM})}$ | Current limit threshold | $\Delta V_O = -50\text{ mV}$ | | 8.5 | | A | |
| | Transient response | 1 A/ μs load step from 50% to 100% $I_{O\text{max}}$ | | | | | |
| | | Recovery time | | 200 | | μs | |
| | | V_O over/undershoot | | 5 | | % V_O | |
| f_S | Switching frequency | Over V_I and I_O ranges | 440 | 550 | 660 | kHz | |
| UVLO | Undervoltage lockout | V_I increasing | | 5.5 | | V | |
| C_I | External input capacitance | Ceramic | 18.8 ⁽⁴⁾ | | | μF | |
| | | Nonceramic | 100 ⁽⁴⁾ | | | | |
| C_O | External output capacitance | Ceramic | | | 200 | μF | |
| | | Nonceramic | 100 ⁽⁵⁾ | | 2,000 | | |
| | | Equivalent series resistance (nonceramic) | 10 ⁽⁶⁾ | | | m Ω | |
| MTBF | Calculated reliability | Per Telcordia SR-332, 50% stress, $T_A = 40^\circ\text{C}$, ground benign | 5.6 | | | 10 ⁶ Hrs | |

- (1) The maximum output current is 4 A, or a maximum output power of 25 W, whichever is less.
- (2) The maximum input voltage is limited and defined to be $(32 - |V_O|)$ volts.
- (3) The set-point voltage tolerance is affected by the tolerance and stability of R_{SET} . The stated limit is unconditionally met if R_{SET} has a tolerance of 1% with 100 ppm/°C or better temperature stability.
- (4) A minimum 100- μF electrolytic and four 4.7- μF ceramic capacitors are required across the input (V_I and GND) for proper operation. Locate the ceramic capacitors close to the module.
- (5) 100 μF of output capacitance is required for proper operation. See the application information for further guidance.
- (6) This is the typical ESR for all the electrolytic (nonceramic) capacitance. Use 17 m Ω as the minimum when using max-ESR values to calculate.

PIN ASSIGNMENT



TERMINAL FUNCTIONS

| TERMINAL | | I/O | DESCRIPTION |
|--------------|------|-----|--|
| NAME | NO. | | |
| V_O | 1, 7 | O | The negative output voltage power connection. It is also the reference for the V_O <i>Adjust</i> control input. For proper operation, pins 1 and 7 must be connected. |
| V_I | 2 | I | The positive input voltage power node to the module, which is referenced to common GND. |
| N/C | 3 | | This pin is active and must be isolated from any electrical connection. |
| V_O Adjust | 4 | I | A 1% resistor must be connected between pin 4 and pin 7 to set the output voltage of the module lower than -3 V. If left open-circuit, the output voltage defaults to -3 V. The temperature stability of the resistor should be 100 ppm/°C (or better). The set-point range is -15 V to -3 V. The standard resistor value for a number of common output voltages is provided in the application information. |
| N/C | 5 | | This pin is active and must be isolated from any electrical connection. |
| GND | 6 | I/O | The common ground connection for V_I and V_O power connections. |

TYPICAL CHARACTERISTICS (9-V INPUT)⁽¹⁾⁽²⁾

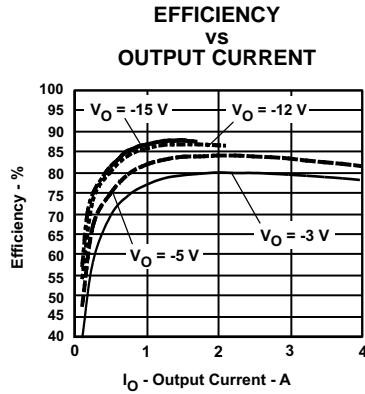


Figure 1.

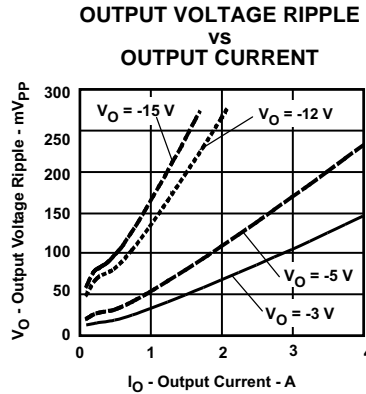


Figure 2.

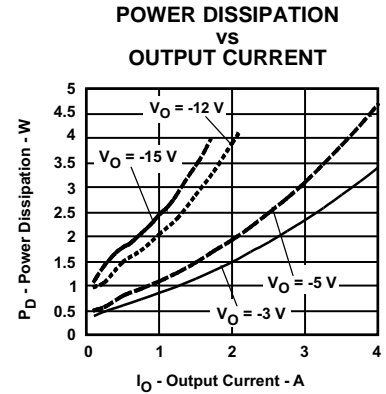


Figure 3.

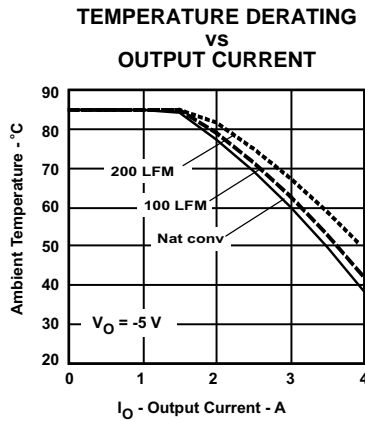


Figure 4.

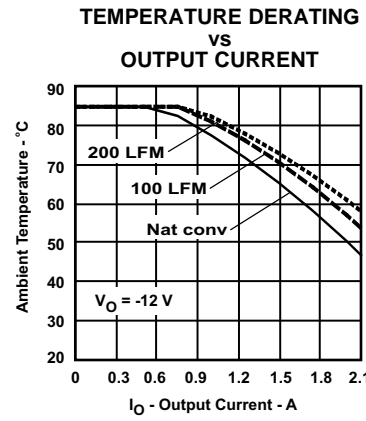


Figure 5.

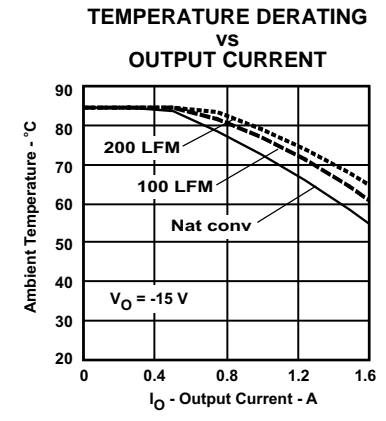


Figure 6.

- (1) The electrical characteristic data has been developed from actual products tested at 25°C. This data is considered typical for the converter. Applies to [Figure 1](#), [Figure 2](#), and [Figure 3](#).
- (2) The temperature derating curves represent the conditions at which internal components are at or below the manufacturer's maximum operating temperatures. Derating limits apply to modules soldered directly to a 100 mm x 100 mm, double-sided PCB with 2 oz. copper. Applies to [Figure 4](#), [Figure 5](#), and [Figure 6](#).

TYPICAL CHARACTERISTICS (12-V INPUT)⁽¹⁾⁽²⁾

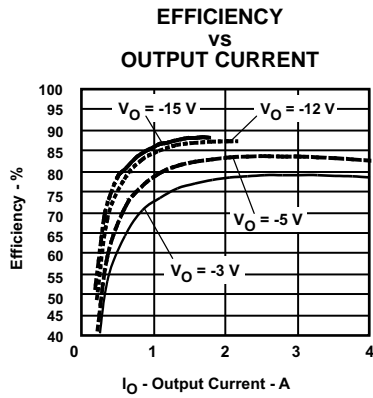


Figure 7.

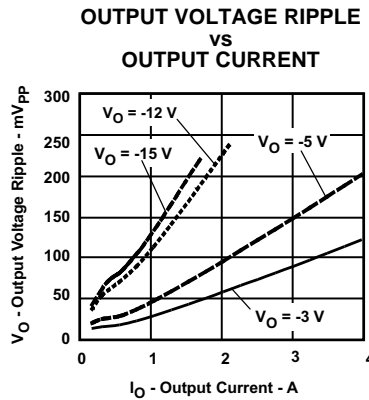


Figure 8.

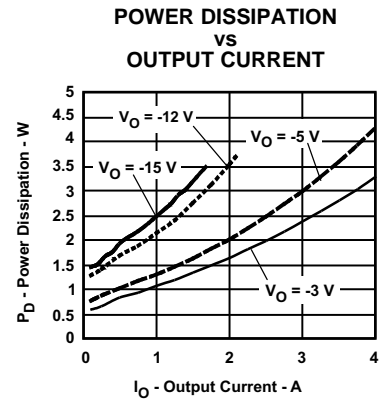


Figure 9.

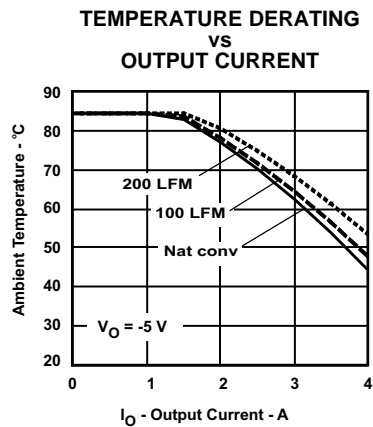


Figure 10.

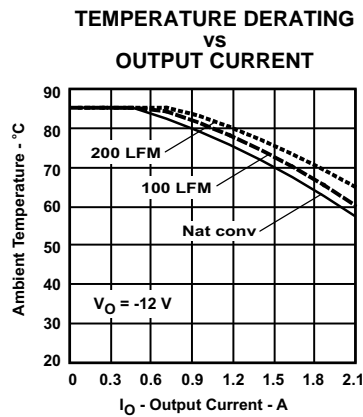


Figure 11.

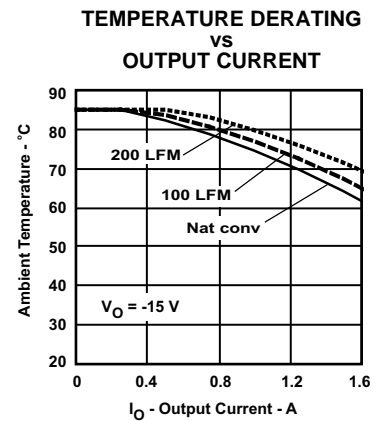


Figure 12.

- (1) The electrical characteristic data has been developed from actual products tested at 25°C. This data is considered typical for the converter. Applies to [Figure 7](#), [Figure 8](#), and [Figure 9](#).
- (2) The temperature derating curves represent the conditions at which internal components are at or below the manufacturer's maximum operating temperatures. Derating limits apply to modules soldered directly to a 100 mm x 100 mm, double-sided PCB with 2 oz. copper. Applies to [Figure 10](#), [Figure 11](#), and [Figure 12](#).

TYPICAL CHARACTERISTICS (24-V INPUT)⁽¹⁾⁽²⁾

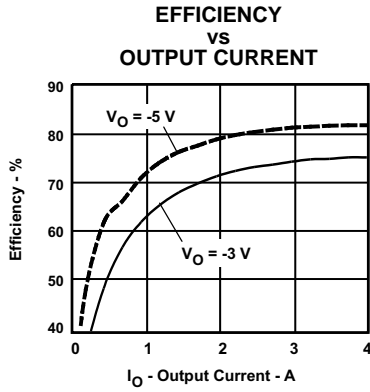


Figure 13.

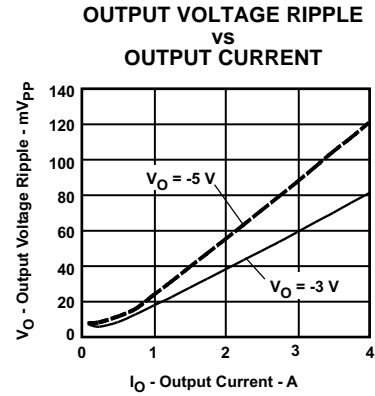


Figure 14.

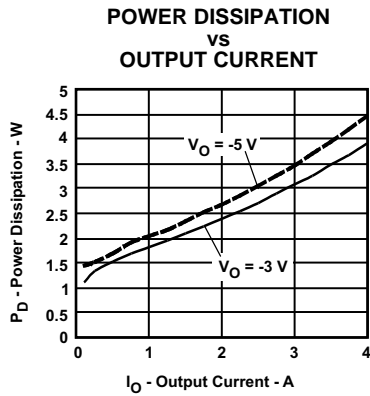


Figure 15.

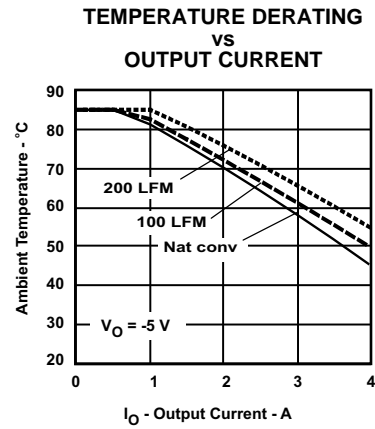


Figure 16.

- (1) The electrical characteristic data has been developed from actual products tested at 25°C. This data is considered typical for the converter. Applies to [Figure 13](#), [Figure 14](#), and [Figure 15](#).
- (2) The temperature derating curves represent the conditions at which internal components are at or below the manufacturer's maximum operating temperatures. Derating limits apply to modules soldered directly to a 100 mm x 100 mm, double-sided PCB with 2 oz. copper. Applies to [Figure 16](#).

APPLICATION INFORMATION

Adjusting the Output Voltage of the PTN78020A Wide-Output Adjust Power Modules

General

A resistor must be connected directly between the V_O *Adjust* control (pin 4) and the output *voltage* (pin 7) to set the output voltage lower than -3 V. The adjustment range is from -15 V to -3 V. If pin 4 is left open, the output voltage defaults to the highest value, -3 V.

Table 1 gives the standard resistor value for a number of common voltages, and with the actual output voltage that the value produces. For other output voltages, the resistor value can either be calculated using the following formula, or simply selected from the range of values given in Table 2. Figure 17 shows the placement of the required resistor.

$$R_{SET} = 54.9 \text{ k} \frac{1.25 \text{ V}}{|V_O| - 3 \text{ V}} - 5.62 \text{ k}$$

Input Voltage Considerations

The PTN78020A is a buck-boost switching regulator. In order that the output remains in regulation, the input voltage must not exceed the output by a maximum differential voltage.

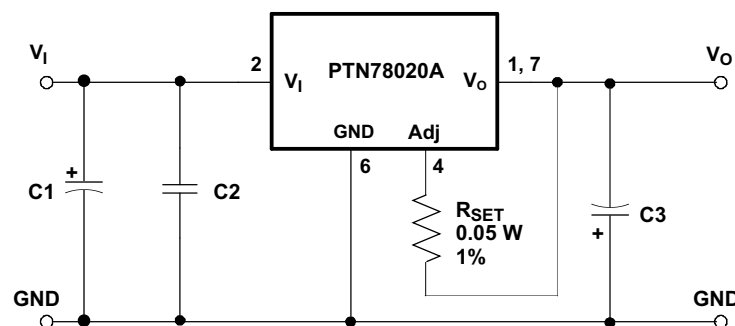
Another consideration is the pulse width modulation (PWM) range of the regulator's internal control circuit. For stable operation, its operating duty cycle should not be lower than some minimum percentage. This defines the maximum advisable ratio between the regulator's input and output voltage magnitudes.

For satisfactory performance, the maximum operating input voltage range must be equal to $(32 - |V_O|)$ volts.

As an example, Table 1 gives the operating input voltage range for the common output bus voltages. In addition, the Electrical Characteristics define the available output voltage adjust range for various input voltages.

Table 1. Standard Values of R_{set} for Common Output Voltages

| V_O (Required) | R_{SET} (Standard Value) | V_O (Actual) | Operating V_I Range |
|---------------------|-------------------------------|-------------------|--------------------------|
| -15 V | 100Ω | -14.997 V | 9 V to 17 V |
| -12 V | $2 \text{ k}\Omega$ | -12.006 V | 9 V to 20 V |
| -5 V | $28.7 \text{ k}\Omega$ | -5.000 V | 9 V to 27 V |
| -3.3 V | $221 \text{ k}\Omega$ | -3.303 V | 9 V to 28.7 V |



- (1) A 0.05-W rated resistor may be used. The tolerance should be 1%, with a temperature stability of 100 ppm/ $^{\circ}$ C (or better). Place the resistor as close to the regulator as possible. Connect the resistor directly between pins 4 and 1 using dedicated PCB traces.
- (2) Never connect capacitors from V_O *Adjust* to either GND or V_{out} . Any capacitance added to the V_O *Adjust* pin affects the stability of the regulator.

Figure 17. V_O Adjust Resistor Placement

Table 2. Output Voltage Set-Point Resistor Values

| V_O Required | R_{SET} | V_O Required | R_{SET} | V_O Required | R_{SET} |
|-------------------------------|------------------------|-------------------------------|------------------------|-------------------------------|------------------------|
| -15.0 V | 99 Ω | -11.9 V | 2.09 kΩ | -8.8 V | 6.21 kΩ |
| -14.9 V | 147 Ω | -11.8 V | 2.18 kΩ | -8.6 V | 6.63 kΩ |
| -14.8 V | 196 Ω | -11.7 V | 2.27 kΩ | -8.4 V | 7.09 kΩ |
| -14.7 V | 245 Ω | -11.6 V | 2.36 kΩ | -8.2 V | 7.58 kΩ |
| -14.6 V | 296 Ω | -11.5 V | 2.45 kΩ | -8.0 V | 8.11 kΩ |
| -14.5 V | 347 Ω | -11.4 V | 2.55 kΩ | -7.8 V | 8.68 kΩ |
| -14.4 V | 400 Ω | -11.3 V | 2.65 kΩ | -7.6 V | 9.30 kΩ |
| -14.3 V | 453 Ω | -11.2 V | 2.75 kΩ | -7.4 V | 9.98 kΩ |
| -14.2 V | 507 Ω | -11.1 V | 2.82 kΩ | -7.2 V | 10.7 kΩ |
| -14.1 V | 562 Ω | -11.0 V | 2.96 kΩ | -7.0 V | 11.5 kΩ |
| -14.0 V | 619 Ω | -10.9 V | 3.07 kΩ | -6.8 V | 12.4 kΩ |
| -13.9 V | 676 Ω | -10.8 V | 3.18 kΩ | -6.6 V | 13.4 kΩ |
| -13.8 V | 734 Ω | -10.7 V | 3.29 kΩ | -6.4 V | 14.6 kΩ |
| -13.7 V | 794 Ω | -10.6 V | 3.41 kΩ | -6.2 V | 15.8 kΩ |
| -13.6 V | 854 Ω | -10.5 V | 3.53 kΩ | -6.0 V | 17.3 kΩ |
| -13.5 V | 916 Ω | -10.4 V | 3.65 kΩ | -5.8 V | 18.9 kΩ |
| -13.4 V | 979 Ω | -10.3 V | 3.78 kΩ | -5.6 V | 20.7 kΩ |
| -13.3 V | 1.04 kΩ | -10.2 V | 3.91 kΩ | -5.4 V | 22.9 kΩ |
| -13.2 V | 1.11 kΩ | -10.1 V | 4.04 kΩ | -5.2 V | 25.6 kΩ |
| -13.1 V | 1.18 kΩ | -10.0 V | 4.18 kΩ | -5.0 V | 28.7 kΩ |
| -13.0 V | 1.24 kΩ | -9.9 V | 4.33 kΩ | -4.8 V | 32.5 kΩ |
| -12.9 V | 1.31 kΩ | -9.8 V | 4.47 kΩ | -4.6 V | 37.2 kΩ |
| -12.8 V | 1.38 kΩ | -9.7 V | 4.62 kΩ | -4.4 V | 43.4 kΩ |
| -12.7 V | 1.46 kΩ | -9.6 V | 4.78 kΩ | -4.2 V | 51.6 kΩ |
| -12.6 V | 1.52 kΩ | -9.5 V | 4.94 kΩ | -4.0 V | 63.0 kΩ |
| -12.5 V | 1.60 kΩ | -9.4 V | 5.10 kΩ | -3.8 V | 80.1 kΩ |
| -12.4 V | 1.68 kΩ | -9.3 V | 5.27 kΩ | -3.6 V | 109 kΩ |
| -12.3 V | 1.76 kΩ | -9.2 V | 5.45 kΩ | -3.4 V | 166 kΩ |
| -12.2 V | 1.84 kΩ | -9.1 V | 5.63 kΩ | -3.2 V | 338 kΩ |
| -12.1 V | 1.92 kΩ | -9.0 V | 5.82 kΩ | -3.0 V | OPEN |
| -12.0 V | 2.01 kΩ | -8.9 V | 6.01 kΩ | | |

CAPACITOR RECOMMENDATIONS FOR THE PTN78020 WIDE-OUTPUT ADJUST POWER MODULES

Input Capacitor

The minimum requirement for the input capacitance is 18.8- μ F (4 \times 4.7- μ F) ceramic capacitance, in either a X5R or X7R temperature characteristic, and 100- μ F of nonceramic capacitance. Ceramic capacitors should be located within 0.5 inch (1,27 cm) of the regulator's input pins. Electrolytic capacitors must be used at the input in addition to the required ceramic capacitance. The minimum ripple current rating for any nonceramic capacitance must be at least 750 mA rms for output currents of 3 A or less. The ripple current rating of electrolytic capacitors is a major consideration when they are used at the input. This ripple current requirement can be reduced by placing more ceramic capacitors at the input, in addition to the minimum required 18.8- μ F.

Tantalum capacitors are not recommended for use at the input bus, as none were found to meet the minimum voltage rating of 2 \times (maximum dc voltage + ac ripple). This voltage derating is standard practice for regular tantalum capacitors to ensure reliability. Polymer-tantalum capacitors are more reliable, and are available with a maximum rating of typically 20 V. These can be used with input voltages up to 16 V.

Output Capacitor

The minimum electrolytic capacitance required to ensure stability is a 100- μ F capacitor. Either ceramic or electrolytic-type capacitors can be used. The minimum ripple current rating for the nonceramic capacitance must be at least 250 mA rms. The stability of the module and voltage tolerances is compromised if the capacitor is not placed near the output bus pins. A high-quality, computer-grade electrolytic capacitor should be adequate. A ceramic capacitor can also be located within 0.5 inch (1,27 cm) of the output pin.

For applications with load transients (sudden changes in load current), the regulator response improves with additional capacitance. Additional electrolytic capacitors should be located close to the load circuit. These capacitors provide decoupling over the frequency range, 2 kHz to 150 kHz. Aluminum electrolytic capacitors are suitable for ambient temperatures above 0°C. For operation below 0°C, tantalum or Os-Con-type capacitors are recommended. When using one or more nonceramic capacitors, the calculated equivalent ESR should be no lower than 10 m Ω (17 m Ω using the manufacturer's maximum ESR for a single capacitor). A list of recommended capacitors and vendors are identified in [Table 3](#).

Ceramic Capacitors

Above 150 kHz, the performance of aluminum electrolytic capacitors becomes less effective. To further reduce the reflected input ripple current or the output transient response, multilayer ceramic capacitors must be added. Ceramic capacitors have low ESR, and their resonant frequency is higher than the bandwidth of the regulator. When placed at the output, their combined ESR is not critical as long as the total value of ceramic capacitance does not exceed 200 μ F.

Tantalum Capacitors

Tantalum-type capacitors may be used at the output, and are recommended for applications where the ambient operating temperature can be less than 0°C. The AVX TPS, Sprague 593D/594/595, and Kemet T495/T510/T520 capacitors series are suggested over many other tantalum types due to their rated surge, power dissipation, and ripple current capability. As a caution, many general-purpose tantalum capacitors have considerably higher ESR, reduced power dissipation, and lower ripple current capability. These capacitors are also less reliable as they have lower power dissipation and surge current ratings. Tantalum capacitors that do not have a stated ESR or surge current rating are not recommended for power applications. When specifying Os-Con and polymer-tantalum capacitors for the output, the minimum ESR limit is encountered well before the maximum capacitance value is reached.

Capacitor Table

The capacitor table, [Table 3](#), identifies the characteristics of capacitors from vendors with acceptable ESR and ripple current (rms) ratings. The recommended number of capacitors required at both the input and output buses is identified for each capacitor type. This is not an extensive capacitor list. Capacitors from other vendors are available with comparable specifications. Those listed are for guidance. The rms rating and ESR (at 100 kHz) are critical parameters necessary to ensure both optimum regulator performance and long capacitor life.

Designing for Load Transients

The transient response of the dc/dc converter has been characterized using a load transient with a di/dt of 1 A/μs. The typical voltage deviation for this load transient is given in the data sheet specification table using the required value of output capacitance. As the di/dt of a transient is increased, the response of a converter's regulation circuit ultimately depends on its output capacitor decoupling network. This is an inherent limitation of any dc/dc converter once the speed of the transient exceeds its bandwidth capability. If the target application specifies a higher di/dt or lower voltage deviation, the requirement can only be met with additional output capacitor decoupling. In these cases, special attention must be paid to the type, value, and ESR of the capacitors selected.

Table 3. Recommended Input/Output Capacitors

| CAPACITOR VENDOR/ COMPONENT SERIES | CAPACITOR CHARACTERISTICS | | | | | QUANTITY | | VENDOR NUMBER |
|--|---------------------------|---------------|---|---|--------------------------|--------------------|--------------------|---|
| | WORKING VOLTAGE (V) | VALUE (μF) | EQUIVALENT SERIES RESISTANCE (ESR) (Ω) | 85°C MAXIMUM RIPPLE CURRENT (mArms) | PHYSICAL SIZE (mm) | INPUT BUS | OUTPUT BUS | |
| FC (Radial) | 35 | 180 | 0.090 | 755 | 10 × 16 | 1 | 1 | EEUFC1V331 (V _I < 30 V) |
| FK (SMD) | 50 | 330 | 0.12 | 900 | 12,5 × 13,5 | 1 ⁽¹⁾ | 1 | EEVFK1H181Q |
| United Chemi-Con PXA (SMD) | 16 | 150 | 0.026 | 3430 | 10 × 12,2 | 1 ⁽¹⁾ | ≤ 1 | PXA16VC151MJ80TP (V _I , V _O < 14 V) |
| PS | 25 | 100 | 0.020 | 4320 | 10 × 12,5 | 1 ⁽¹⁾ | ≤ 1 | 25PS100M J12 (V _I < 20 V) |
| LXZ | 35 | 220 | 0.090 | 760 | 10 × 12,5 | 1 ⁽¹⁾ | 1 | LXZ35VB221M10X12LL |
| MVZ (SMD) | 25 | 470 | 0.090 | 670 | 10 × 10 | 1 | 1 | MVZ25VC471MJ10TP (V _I < 20 V) |
| Nichicon UWG (SMD) | 35 | 330 | 0.15 | 670 | 10 × 10 | 1 | 1 | UWG1V331MNR1GS |
| F550 (Tantalum) | 10 | 100 | 0.055 | 2000 | 7,7 × 4,3 | N/R ⁽²⁾ | ≤ 3 ⁽³⁾ | F551A107MN (V _O ≤ 5 V) |
| HD | 50 | 150 | 0.061 | 979 | 10 × 12,5 | 1 | 1 | UHD1H151MHR |
| Sanyo Os-Con SVP (SMD) | 20 | 150 | 0.020 | 4300 | 10 × 12,7 | 1 ⁽¹⁾ | ≤ 1 | 20SVP150M (V _I ≤ 16 V) |
| SP | 20 | 120 | 0.024 | 3110 | 8 × 10,5 | 1 ⁽¹⁾ | ≤ 1 | 20SP180M (V _I ≤ 16 V) |
| AVX Tantalum TPS (SMD) | 20 | 100 | 0.085 | 1543 | 7,3 L × 4,3 W × 4,1 H | N/R ⁽²⁾ | ≤ 3 | TPSV107M020R0085 (V _O ≤ 10 V) |
| | 20 | 100 | 0.200 | > 817 | 3225 | N/R ⁽²⁾ | ≤ 3 | TPSE107M020R0200 (V _O ≤ 10 V) |
| Murata X5R Ceramic | 6.3 | 100 | 0.002 | >1000 | 3225 | N/R ⁽²⁾ | ≤ 2 | GRM32ER60J107M (V _O ≤ 5.5 V) |
| TDK X5R Ceramic | 6.3 | 100 | 0.002 | >1000 | 3225 | N/R ⁽²⁾ | ≤ 2 | C3225X5R0J107MT (V _O ≤ 5.5 V) |
| Murata X5R Ceramic | 16 | 47 | 0.002 | >1000 | 3225 | 4 ⁽¹⁾ | ≤ 4 | GRM32ER61C476M (V _O ~ V _I ≤ 13.5 V) |
| Kemet X5R Ceramic | 6.3 | 47 | 0.002 | >1000 | 3225 | N/R ⁽²⁾ | ≤ 4 | C1210C476K9PAC (V _O ≤ 5.5 V) |
| TDK X5R Ceramic | 6.3 | 47 | 0.002 | >1000 | 3225 | N/R ⁽²⁾ | ≤ 4 | C3225X5R0J476MT (V _O ≤ 5.5 V) |
| Murata X5R Ceramic | 6.3 | 47 | 0.002 | >1000 | 3225 | N/R ⁽²⁾ | ≤ 4 | GRM42-2X5R476M6.3 (V _O ≤ 5.5 V) |
| TDK X7R Ceramic | 25 | 2.2 | 0.002 | >1000 | 3225 | ≥ 8 ⁽⁴⁾ | 1 | C3225X7R1E225KT/MT (V _O ≤ 20 V) |
| Murata X7R Ceramic | 25 | 2.2 | 0.002 | >1000 | 3225 | ≥ 8 ⁽⁴⁾ | 1 | GRM32RR71E225K (V _O ≤ 20 V) |
| Kemet X7R Ceramic | 25 | 2.2 | 0.002 | >1000 | 3225 | ≥ 8 ⁽⁴⁾ | 1 | C1210C225K3RAC (V _I , V _O ≤ 20 V) |
| AVX X7R Ceramic | 25 | 2.2 | 0.002 | >1000 | 3225 | ≥ 8 ⁽⁴⁾ | 1 | C12103C225KAT2A (V _I , V _O ≤ 20 V) |

- (1) The voltage rating of the input capacitor must be selected for the desired operating input voltage range of the regulator. To operate the regulator at a higher input voltage, select a capacitor with the next higher voltage rating.
- (2) Not recommended (N/R). The voltage rating does not meet the minimum operating limits in most applications.
- (3) The maximum voltage rating of the capacitor must be selected for the desired set-point voltage (V_O). To operate at a higher output voltage, select a capacitor with a higher voltage rating.
- (4) The maximum rating of the ceramic capacitor limits the regulator operating input voltage to 20 V. Select an alternative ceramic component to operate at a higher input voltage.

Table 3. Recommended Input/Output Capacitors (continued)

| CAPACITOR VENDOR/ COMPONENT SERIES | CAPACITOR CHARACTERISTICS | | | | | QUANTITY | | VENDOR NUMBER |
|--|---------------------------|---------------------|--|--|--------------------------|--------------------|---------------|--------------------|
| | WORKING VOLTAGE (V) | VALUE (μ F) | EQUIVALENT SERIES RESISTANCE (ESR) (Ω) | 85°C MAXIMUM RIPPLE CURRENT (mA _{rms}) | PHYSICAL SIZE (mm) | INPUT BUS | OUTPUT BUS | |
| Kemet X7R Ceramic | 50 | 1.0 | 0.002 | >1000 | 3225 | N/R ⁽²⁾ | 1 | C1210C105K5RAC |
| Murata X7R Ceramic | 50 | 4.7 | 0.002 | >1000 | 3225 | ≥ 4 | 1 | GRM32ER71H475KA88L |
| TDK X7R Ceramic | 50 | 2.2 | 0.002 | >1000 | 3225 | ≥ 8 | 1 | C3225X7R1H225KT |
| Murata X7R Ceramic | 50 | 1.0 | 0.002 | >1000 | 3225 | N/R ⁽²⁾ | 1 | GRM32RR71H105KA01L |
| TDK X7R Ceramic | 50 | 1.0 | 0.002 | >1000 | 3225 | N/R ⁽²⁾ | 1 | C3225X7R1H105KT |
| Kemet Radial Through-hole | 50 | 1.0 | 0.002 | >1000 | 5,08 × 7,62 × 9,14 H | N/R ⁽²⁾ | 1 | C330C105K5R5CA |
| Murata Radial Through-hole | 50 | 2.2 | 0.004 | >1000 | 10 H × 10 W × 4 D | ≥ 8 | 1 | RPER71H2R2KK6F03 |

Power-Up Characteristics

When configured per the standard application, the PTN78020A power module produces a regulated output voltage following the application of a valid input source voltage. During power up, internal soft-start circuitry slows the rate that the output voltage rises, thereby limiting the amount of in-rush current that can be drawn from the input source. The soft-start circuitry introduces a short time delay (typically 5 ms – 10 ms) into the power-up characteristic. This is from the point that a valid input source is recognized. Figure 18 shows the power-up waveforms for a PTN78020A, operating from a 12-V input and with the output voltage adjusted to –5-V. The waveforms were measured with a 3-A resistive load.

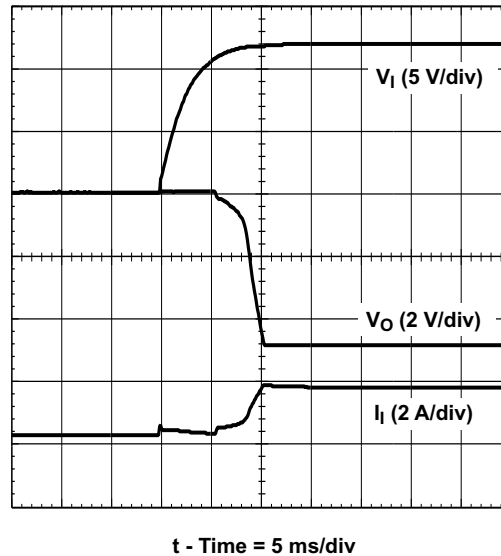


Figure 18. Power-Up Waveforms

Undervoltage Lockout

The undervoltage lockout (UVLO) circuit prevents the module from attempting to power up until the input voltage is above the UVLO threshold. This prevents the module from drawing excessive current from the input source at power up. Below the UVLO threshold, the module is held off.

Current Limit Protection

The PTN78020 modules protect against load faults with a continuous current limit characteristic. Under a load fault condition, the output current cannot exceed the current limit value. Attempting to draw current that exceeds the current limit value causes the module to progressively reduce its output voltage. Current is continuously supplied to the fault until it is removed. On removal of the fault, the output voltage promptly recovers. When limiting output current, the regulator experiences higher power dissipation, which increases its temperature. If the temperature increase is excessive, the module overtemperature protection begins to periodically turn the output voltage completely off.

Overtemperature Protection

A thermal shutdown mechanism protects the module's internal circuitry against excessively high temperatures. A rise in temperature may be the result of a drop in airflow, a high ambient temperature, or a sustained current limit condition. If the junction temperature of the internal control IC rises excessively the module turns itself off, reducing the output voltage to zero. The module instantly restarts when the sensed temperature decreases by a few degrees.

Overtemperature protection is a last-resort mechanism to prevent damage to the module. It should not be relied on as permanent protection against thermal stress. Always operate the module within its temperature derated limits, for the worst-case operating conditions of output current, ambient temperature, and airflow. Operating the module above these limits, albeit below the thermal shutdown temperature, reduces the long-term reliability of the module.

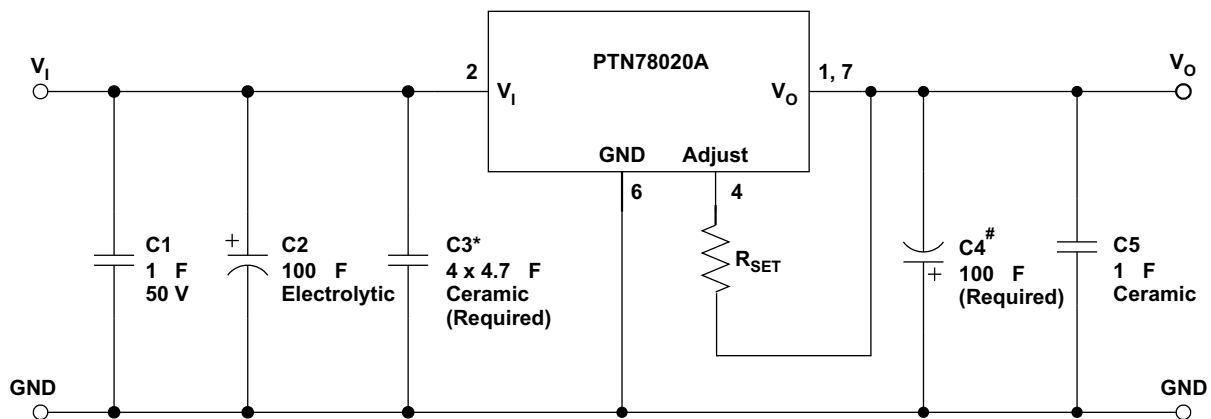
Optional Input/Output Filters

Power modules include internal input and output ceramic capacitors in all of their designs. However, some applications require much lower levels of either input reflected or output ripple/noise. This application describes various filters and design techniques found to be successful in reducing both input and output ripple/noise.

Input/Output Capacitors

The easiest way to reduce output ripple and noise is to add one or more 1- μ F ceramic capacitors, such as C5 shown in Figure 19. Ceramic capacitors should be placed close to the output power terminals. A single 1- μ F capacitor reduces the output ripple/noise by 10% to 30% for modules with a rated output current of less than 3 A. (Note: C4 is required to improve the regulator transient response, and does not reduce output ripple and noise.)

Switching regulators draw current from the input line in pulses at their operating frequency. The amount of reflected (input) ripple/noise generated is directly proportional to the equivalent source impedance of the power source including the impedance of any input lines. The addition of C1, minimum 1- μ F ceramic capacitor, near the input power pins, reduces reflected conducted ripple/noise by 10% to 30%.



* See the specifications for required value and type.

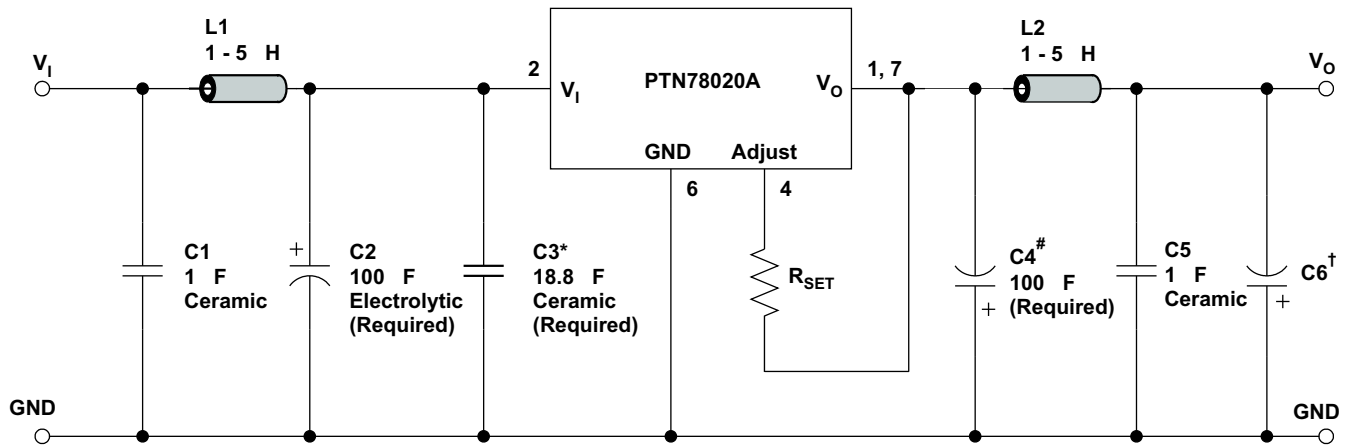
See the *Application Information* for suggested value and type.

Figure 19. Adding High-Frequency Bypass Capacitors to the Input and Output

π Filters

If a further reduction in ripple/noise level is required for an application, higher order filters must be used. A π (pi) filter, employing a ferrite bead (Fair-Rite Pt. No. 2673000701 or equivalent) in series with the input or output terminals of the regulator reduces the ripple/noise by at least 20 db (see Figure 20 and Figure 21). In order for the inductor to be effective in reduction of ripple and noise-ceramic capacitors are required. (See Capacitor Recommendations for the PTN78020A for additional information on vendors and component suggestions.)

These inductors plus ceramic capacitors form an excellent filter because of the rejection at the switching frequency (650 kHz - 1 MHz). The placement of this filter is critical. It must be located as close as possible to the input or output pins to be effective. The ferrite bead is small (12,5 mm \times 3 mm), easy to use, low cost, and has low dc resistance. Fair-Rite also manufactures a surface-mount bead (part number 2773021447), through hole (part number 2673000701) rated to 5 A. 1- μ H to 5- μ H inductors can be used in place of the ferrite inductor bead.



- * See the specifications for required value and type.
- # See the *Application Information* for suggested value and type.
- † Recommended for applications with load transients.

Figure 20. Adding π Filters ($I_o \leq 4$ A)

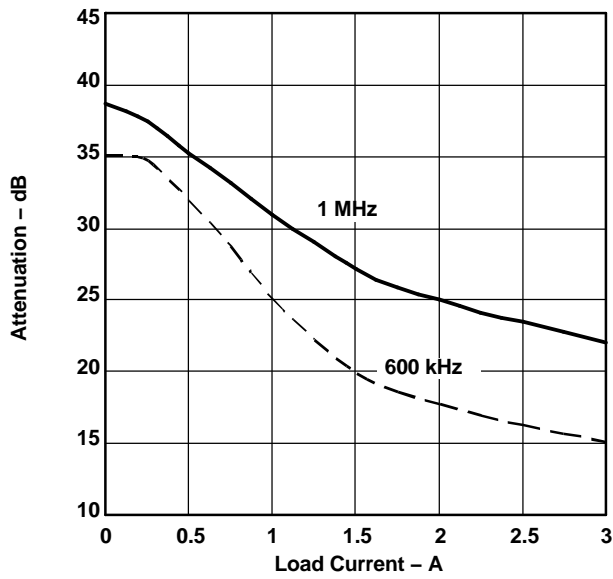


Figure 21. π -Filter Attenuation vs. Load Current

PACKAGING INFORMATION

| Orderable Device | Status (1) | Package Type | Package Drawing | Pins | Package Qty | Eco Plan (2) | Lead/Ball Finish (6) | MSL Peak Temp (3) | Op Temp (°C) | Device Marking (4/5) | Samples |
|------------------|---------------|----------------------|-----------------|------|-------------|----------------------------------|-------------------------|--|--------------|-------------------------|-------------------------|
| PTN78020AAH | ACTIVE | Through-Hole Module | EUK | 7 | 20 | RoHS (In Work) & Green (In Work) | SN | N / A for Pkg Type | -40 to 85 | | Samples |
| PTN78020AAS | ACTIVE | Surface Mount Module | EUL | 7 | 20 | RoHS (In Work) & Green (In Work) | SNPB | Level-1-235C-UNLIM/ Level-3-260C-168HRS | -40 to 85 | | Samples |
| PTN78020AAZ | ACTIVE | Surface Mount Module | EUL | 7 | 20 | RoHS (In Work) & Green (In Work) | SNAGCU | Level-3-260C-168 HR | -40 to 85 | | Samples |
| PTN78020AAZT | ACTIVE | Surface Mount Module | EUL | 7 | 200 | RoHS (In Work) & Green (In Work) | SNAGCU | Level-3-260C-168 HR | -40 to 85 | | Samples |

(1) The marketing status values are defined as follows:

ACTIVE: Product device recommended for new designs.

LIFEBUY: TI has announced that the device will be discontinued, and a lifetime-buy period is in effect.

NRND: Not recommended for new designs. Device is in production to support existing customers, but TI does not recommend using this part in a new design.

PREVIEW: Device has been announced but is not in production. Samples may or may not be available.

OBSOLETE: TI has discontinued the production of the device.

(2) **RoHS:** TI defines "RoHS" to mean semiconductor products that are compliant with the current EU RoHS requirements for all 10 RoHS substances, including the requirement that RoHS substance do not exceed 0.1% by weight in homogeneous materials. Where designed to be soldered at high temperatures, "RoHS" products are suitable for use in specified lead-free processes. TI may reference these types of products as "Pb-Free".

RoHS Exempt: TI defines "RoHS Exempt" to mean products that contain lead but are compliant with EU RoHS pursuant to a specific EU RoHS exemption.

Green: TI defines "Green" to mean the content of Chlorine (Cl) and Bromine (Br) based flame retardants meet JS709B low halogen requirements of <=1000ppm threshold. Antimony trioxide based flame retardants must also meet the <=1000ppm threshold requirement.

(3) MSL, Peak Temp. - The Moisture Sensitivity Level rating according to the JEDEC industry standard classifications, and peak solder temperature.

(4) There may be additional marking, which relates to the logo, the lot trace code information, or the environmental category on the device.

(5) Multiple Device Markings will be inside parentheses. Only one Device Marking contained in parentheses and separated by a "~" will appear on a device. If a line is indented then it is a continuation of the previous line and the two combined represent the entire Device Marking for that device.

(6) Lead/Ball Finish - Orderable Devices may have multiple material finish options. Finish options are separated by a vertical ruled line. Lead/Ball Finish values may wrap to two lines if the finish value exceeds the maximum column width.

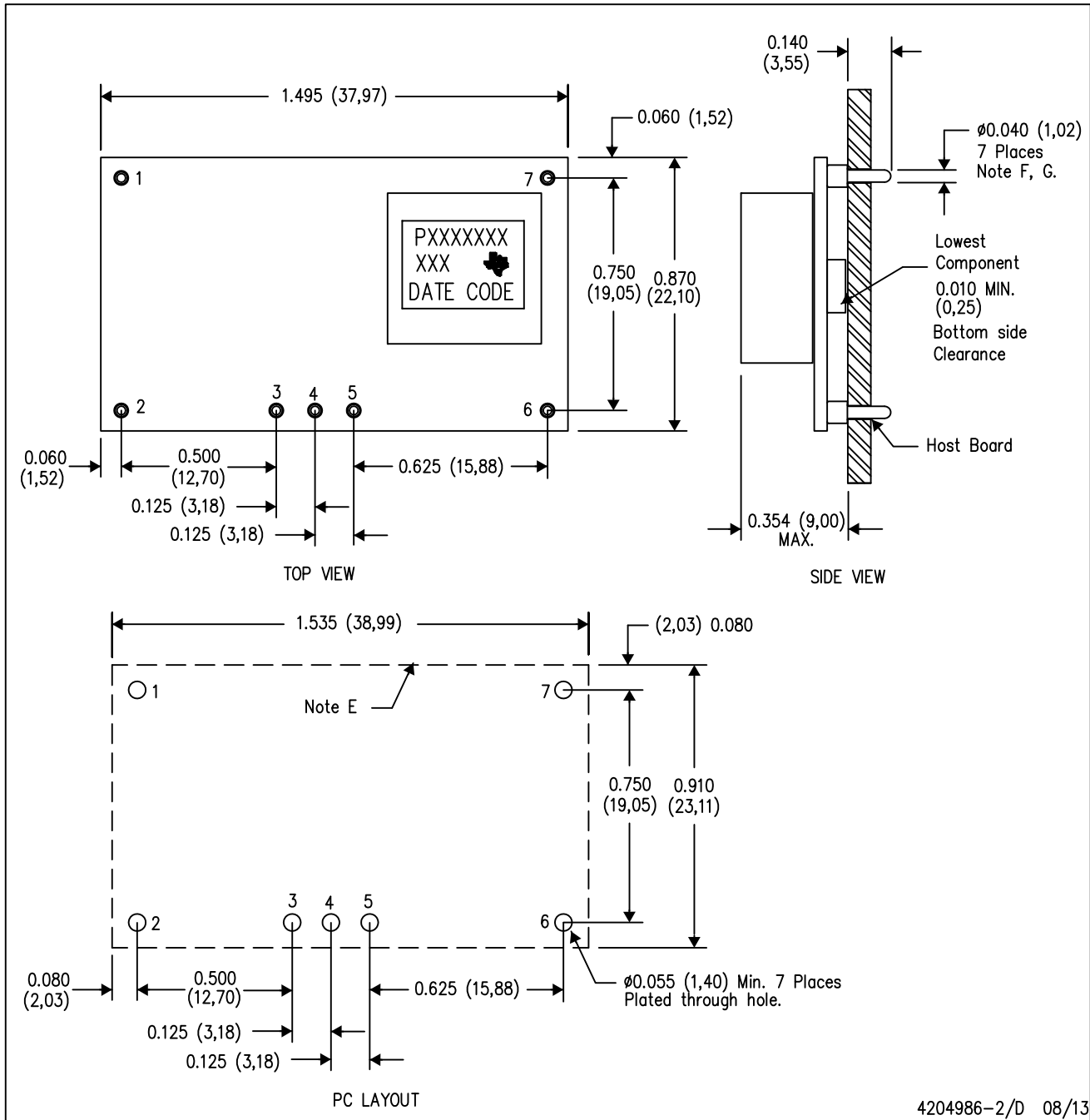
Important Information and Disclaimer: The information provided on this page represents TI's knowledge and belief as of the date that it is provided. TI bases its knowledge and belief on information provided by third parties, and makes no representation or warranty as to the accuracy of such information. Efforts are underway to better integrate information from third parties. TI has taken and continues to take reasonable steps to provide representative and accurate information but may not have conducted destructive testing or chemical analysis on incoming materials and chemicals. TI and TI suppliers consider certain information to be proprietary, and thus CAS numbers and other limited information may not be available for release.

In no event shall TI's liability arising out of such information exceed the total purchase price of the TI part(s) at issue in this document sold by TI to Customer on an annual basis.

MECHANICAL DATA

EUK (R-PDSS-T7)

DOUBLE SIDED MODULE



4204986-2/D 08/13

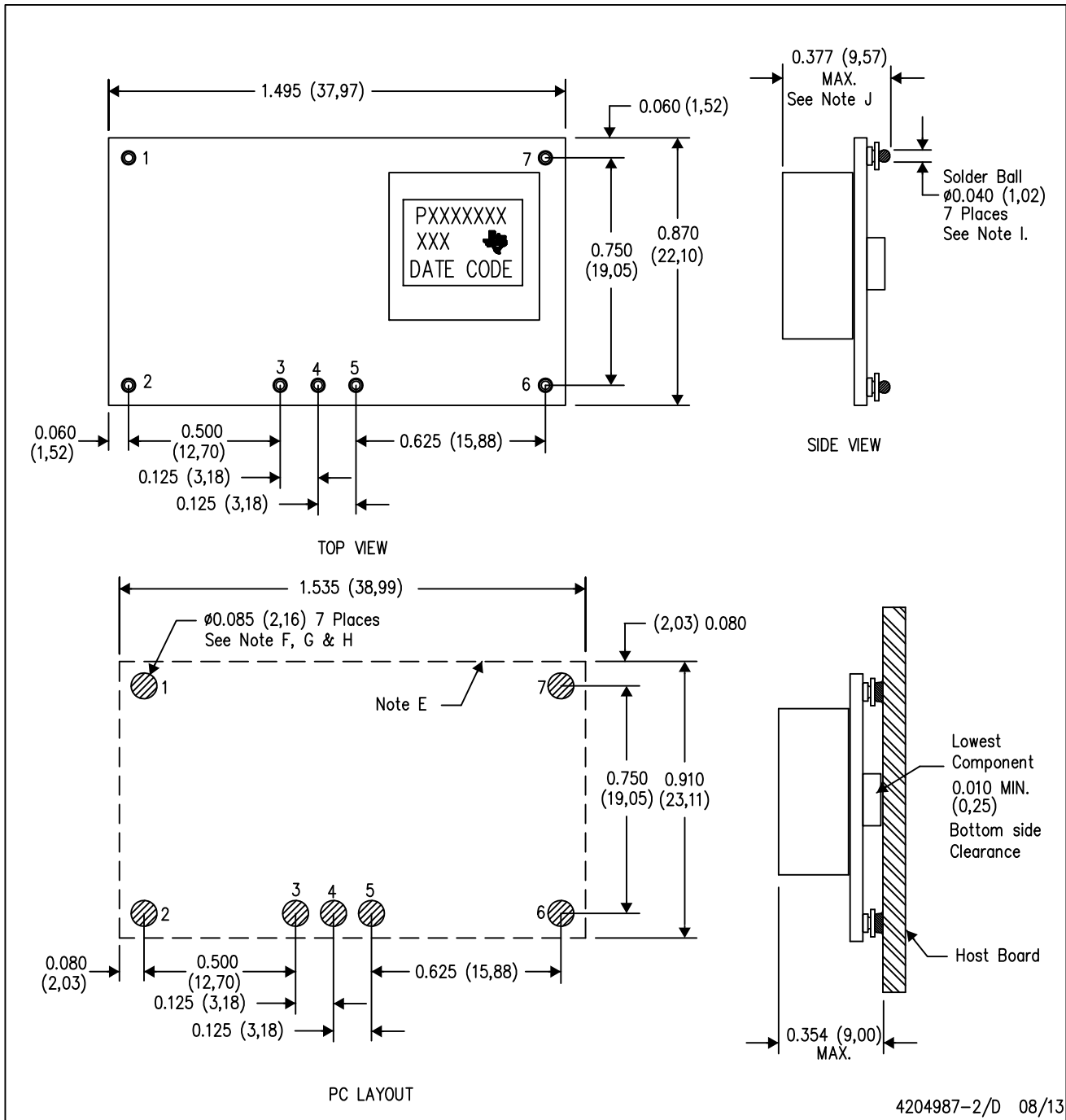
- NOTES:
- A. All linear dimensions are in inches (mm).
 - B. This drawing is subject to change without notice.
 - C. 2 place decimals are ± 0.030 ($\pm 0,76$ mm).
 - D. 3 place decimals are ± 0.010 ($\pm 0,25$ mm).
 - E. Recommended keep out area for user components.

- E. Pins are 0.040" (1,02) diameter with 0.070" (1,78) diameter standoff shoulder.
- F. All pins: Material - Copper Alloy
Finish - Tin (100%) over Nickel plate

MECHANICAL DATA

EUL (R-PDSS-B7)

DOUBLE SIDED MODULE



4204987-2/D 08/13

- NOTES:
- A. All linear dimensions are in inches (mm).
 - B. This drawing is subject to change without notice.
 - C. 2 place decimals are ± 0.030 ($\pm 0,76$ mm).
 - D. 3 place decimals are ± 0.010 ($\pm 0,25$ mm).
 - E. Recommended keep out area for user components.
 - F. Power pin connection should utilize four or more vias to the interior power plane of 0.025 (0,63) I.D. per input, ground and output pin (or the electrical equivalent).

- G. Paste screen opening: 0.080 (2,03) to 0.085 (2,16).
Paste screen thickness: 0.006 (0,15).
- H. Pad type: Solder mask defined.
- I. All pins: Material - Copper Alloy
Finish - Tin (100%) over Nickel plate
Solder Ball - See product data sheet.
- J. Dimension prior to reflow solder.

IMPORTANT NOTICE AND DISCLAIMER

TI PROVIDES TECHNICAL AND RELIABILITY DATA (INCLUDING DATASHEETS), DESIGN RESOURCES (INCLUDING REFERENCE DESIGNS), APPLICATION OR OTHER DESIGN ADVICE, WEB TOOLS, SAFETY INFORMATION, AND OTHER RESOURCES "AS IS" AND WITH ALL FAULTS, AND DISCLAIMS ALL WARRANTIES, EXPRESS AND IMPLIED, INCLUDING WITHOUT LIMITATION ANY IMPLIED WARRANTIES OF MERCHANTABILITY, FITNESS FOR A PARTICULAR PURPOSE OR NON-INFRINGEMENT OF THIRD PARTY INTELLECTUAL PROPERTY RIGHTS.

These resources are intended for skilled developers designing with TI products. You are solely responsible for (1) selecting the appropriate TI products for your application, (2) designing, validating and testing your application, and (3) ensuring your application meets applicable standards, and any other safety, security, or other requirements. These resources are subject to change without notice. TI grants you permission to use these resources only for development of an application that uses the TI products described in the resource. Other reproduction and display of these resources is prohibited. No license is granted to any other TI intellectual property right or to any third party intellectual property right. TI disclaims responsibility for, and you will fully indemnify TI and its representatives against, any claims, damages, costs, losses, and liabilities arising out of your use of these resources.

TI's products are provided subject to TI's Terms of Sale (www.ti.com/legal/termsofsale.html) or other applicable terms available either on ti.com or provided in conjunction with such TI products. TI's provision of these resources does not expand or otherwise alter TI's applicable warranties or warranty disclaimers for TI products.

Mailing Address: Texas Instruments, Post Office Box 655303, Dallas, Texas 75265
Copyright © 2018, Texas Instruments Incorporated