

具有 JESD204A 输出接口的 12 位输出缓冲 80 每秒百万次采样 (MSPS) 模数转换器 (ADC)

查询样品: [ADS61JB23](#)

特性

- 输出接口:
 - 单信道和双信道接口
 - **1.6Gbps** 的最大数据速率
 - 符合 **JESD204A** 技术规范
 - 可在 **2mA** 至 **32mA** 之间对电流进行设定的电流模式逻辑 (CML) 输出
- 功率耗散:
 - 单信道模式下, **80MSPS** 时为 **440mW**
 - 功率等级随着时钟速率下降
- 输入接口: 经缓冲的模拟输入
- **71.7dBFS** 信噪比 (SNR) (在 **70MHz IF** 时)
- 模拟输入满量程范围 (FSR): **2Vpp**
- 外部和内部 (经调整的) 基准支持
- 用于输入缓冲器的 **1.8V** 电源 (模拟和数字), **3.3V** 电源
- 可编程数字增益: **0dB-6dB**
- 标准偏移二级制或补码输出
- 封装:
 - **6mm x 6mm** 四方扁平无引线 (QFN)-40 封装

应用范围

- 无线基站基础设施
- 测试和测量仪器

说明

ADS61JB23 是一款高性能、低功耗、单通道模数转换器, 此转换器具有一个集成的 JESD204A 输出接口。采用 6mm x 6mm QFN 封装, 并具有单信道和双信道输出模式, ADS61JB23 提供了空前的紧凑性。输出接口与 JESD204A 标准兼容, 并具有一个额外的模式 (符合 IEEE 标准 802.3-2002 第 3 部分, 第 36.2.4.12 条), 以实现与 TI TLK 串化解串 (SERDES) 接收器系列产品的无缝对接。同样引人注目的是其包含一个片载模拟输入缓冲器, 从而提供了采样/保持开关间的隔离以及更高、更加持续的输出阻抗。

ADS61JB23 可在工业温度范围 (-40°C 至 85°C) 内工作。

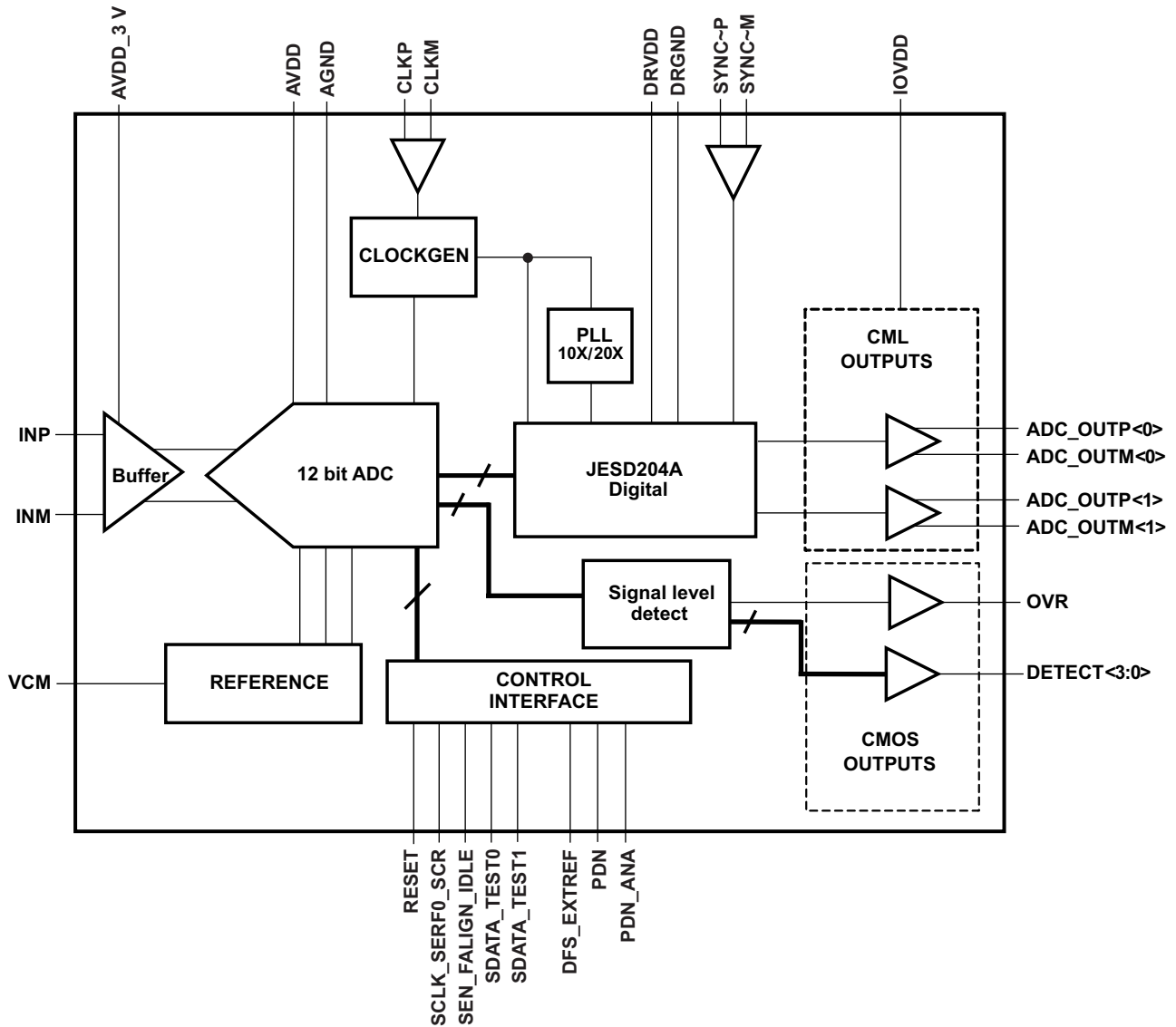


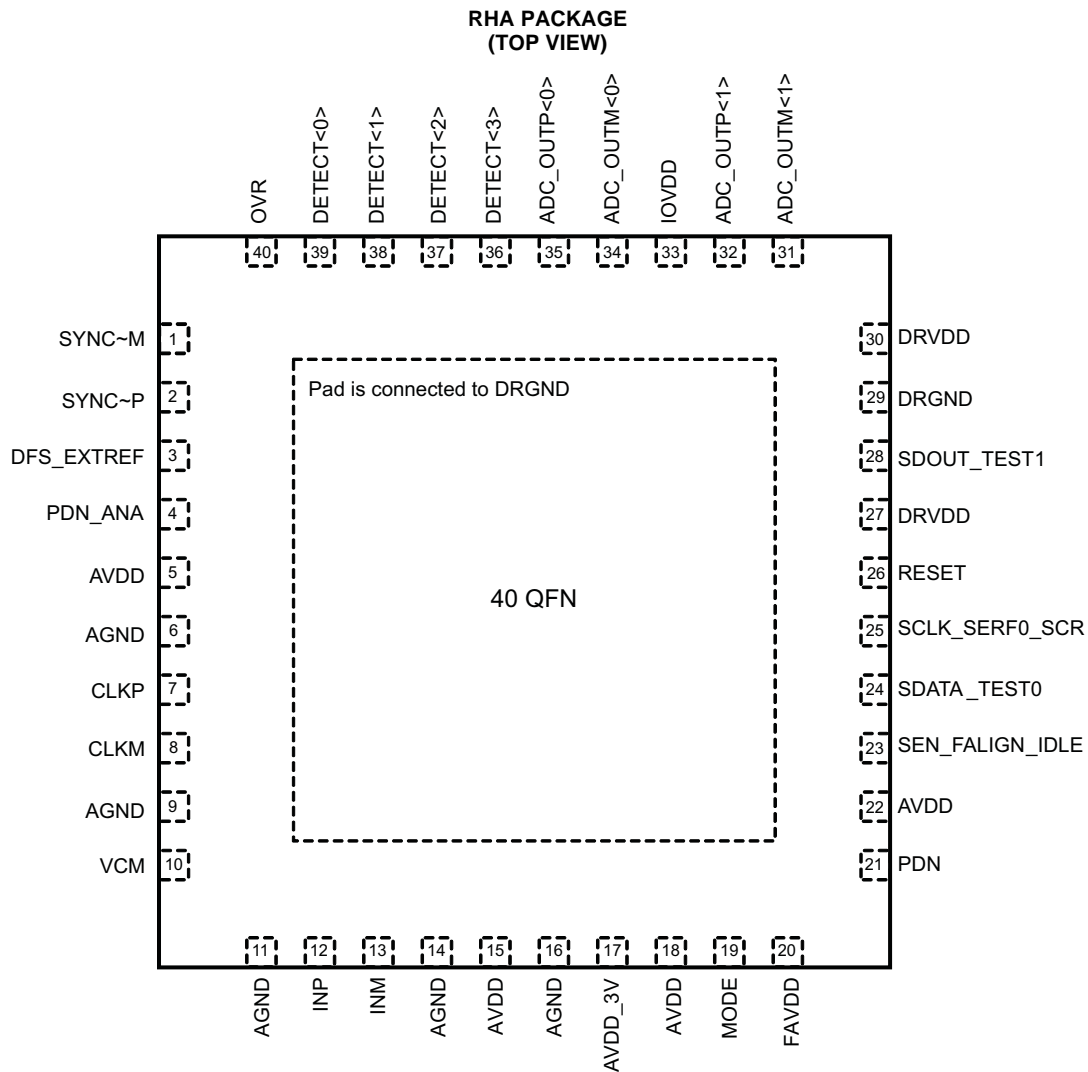
Please be aware that an important notice concerning availability, standard warranty, and use in critical applications of Texas Instruments semiconductor products and disclaimers thereto appears at the end of this data sheet.



These devices have limited built-in ESD protection. The leads should be shorted together or the device placed in conductive foam during storage or handling to prevent electrostatic damage to the MOS gates.

FUNCTIONAL BLOCK DIAGRAM





PIN FUNCTIONS

PIN		DESCRIPTION
NAME	NO.	
ADC_OUTM<1>	31	CML output Lane 2 – Negative output
ADC_OUTM<0>	34	CML output Lane 1 – Negative output
ADC_OUTP<1>	32	CML output Lane 2 – Positive output
ADC_OUTP<0>	35	CML output Lane 1 – Positive output
AGND	5, 6, 9, 11, 14, 16,	Analog ground
AVDD	15, 18, 22	Analog supply, 1.8 V
AVDD_3V	17	Analog supply for input buffer, 3.3 V
CLKM	8	Conversion clock – Negative input
CLKP	7	Conversion clock – Positive input
DRGND	29	Digital ground
DRVDD	27, 30	Digital supply, 1.8 V

PIN FUNCTIONS (continued)

PIN		DESCRIPTION
NAME	NO.	
DETECT<3>	36	Signal level detect output pins: Can be used to either output a 4-bit ADC code with low latency or to output a 16-level RMS power estimate
DETECT<2>	37	
DETECT<1>	38	
DETECT<0>	39	
DFS_EXTREF	3	4-level analog control for Data Format select and Internal/ External reference mode
FAVDD	20	Fuse supply – connect externally to AVDD, 1.8 V
IOVDD	33	CML buffer supply – 1.2 V to 1.9 V
INM	13	Analog input - Negative
INP	12	Analog input – Positive
MODE	19	4-level control for Serial interface/ Parallel interface modes selection
OVR	40	Over-range output
PDN	21	Full chip Powerdown (also referred to as Complete Powerdown mode)
PDN_ANA	4	Analog section power down, JESD interface still active. This is referred to as fast recovery powerdown mode
RESET	26	Chip Reset input
SCLK_SERF0_SCR	25	In Serial interface mode : Serial clock input In parallel interface mode : 4-level control for JESD modes (single/dual lane & scrambling)
SDATA_TEST0	24	In Serial interface mode : Serial data input In parallel interface mode : JESD test mode
SDOUT_TEST1	28	In Serial interface mode : Serial data output (for register readout) In parallel interface mode : JESD test mode
SEN_FALIGN_I DLE	23	In Serial interface mode : Serial enable (Chip select) In parallel interface mode : 4-level control for JESD modes
SYNC~M	1	JESD Synchronization request – Negative input
SYNC~P	2	JESD Synchronization request – Positive input
VCM	10	Common mode output for setting input common mode: 1.95V, Reference input in external reference mode

ABSOLUTE MAXIMUM RATINGS⁽¹⁾

		VALUE	UNIT
AVDD	Supply voltage range	-0.3 to +2.2	V
DRVDD		-0.3 to +2.2	V
IOVDD		-0.3 to +2.2	V
AVDD_3V		-0.3 to +3.9	V
	Voltage between AGND and DRGND	-0.3 to +0.3	V
	Voltage applied to external VCM pin	-0.3 to +2.2	V
	Voltage applied to analog input pins	-0.3 to min (3, AVDD_3V + 0.3)	V
	Voltage applied to digital input pins	-0.3 to AVDD + 0.3	V
	Voltage applied to clock input pins ⁽²⁾	-0.3 to AVDD + 0.3	V
T _A	Operating free-air temperature range	-40 to 85	°C
	Peak solder temperature	260	°C
	Junction temperature	105	°C

- (1) Stresses above these ratings may cause permanent damage. Exposure to absolute maximum conditions for extended periods may degrade device reliability.
- (2) When AVDD is turned off, it is recommended to switch off the input clock (or ensure the voltage on CLKP, CLKM is less than |0.3V|. This prevents the ESD protection diodes at the clock input pins from turning on.

THERMAL INFORMATION

THERMAL METRIC ⁽¹⁾		ADS61JB23	UNITS
		QFN 40 PIN	
θ_{JA}	Junction-to-ambient thermal resistance	30.7	°C/W
θ_{JCTop}	Junction-to-case (top) thermal resistance	17	
θ_{JB}	Junction-to-board thermal resistance	5.7	
Ψ_{JT}	Junction-to-top characterization parameter	0.2	
Ψ_{JB}	Junction-to-board characterization parameter	5.7	
θ_{JCbott}	Junction-to-case (bottom) thermal resistance	1	

(1) 有关传统和新的热 度量的更多信息，请参阅 IC 封装热度量应用报告，SPRA953。

RECOMMENDED OPERATING CONDITIONS

		MIN	TYP	MAX	UNIT
SUPPLIES, ANALOG INPUTS AND REFERENCE VOLTAGES					
Analog supply voltage, AVDD		1.7	1.8	1.9	V
Digital supply voltage, DRVDD		1.7	1.8	1.9	V
CML buffer supply voltage, IOVDD		1.2	1.8	1.9	V
Analog buffer supply voltage, AVDD_3V		3.0	3.3	3.6	V
Differential input voltage range		2			V _{PP}
Input common-mode voltage		VCM ±0.05			V
VCM (output) – Internal reference mode ⁽¹⁾		1.95			V
VCM (input) – External reference mode		1.4			V
CLOCK INPUT					
Input clock rate in JESD204A single lane mode		15.625		80	MSPS
Input clock rate in JESD204A dual lane mode		31.25		80	MSPS
Input clock amplitude differential (V _{CLKP} - V _{CLKM})	Sine wave, ac-coupled	0.2	3.0		V _{PP}
	LVPECL, ac-coupled		1.6		V _{PP}
	LVDS, ac-coupled		0.7		V _{PP}
	CMOS, single-ended, ac-coupled		1.5		V
Input clock duty cycle		35%	50%	65%	
DIGITAL OUTPUTS					
Output data rate in single-lane mode		312.5	20x (sample rate)	1600	MBPS
Output data rate in dual-lane mode		312.5	10x (sample rate)	800	MBPS
C _{LOAD}	Maximum external load capacitance from each pin to DRGND	5			pF
R _{LOAD}	External termination from each output pin to IOVDD	50			Ω
T _A	Operating free-air temperature	-40		85	°C
HIGH SFDR MODE					
Write register 2h, value 71h to get best HD3 for input frequencies between 150MHz to 250MHz.					

(1) Typical VCM reduces to 1.85V after HIGH SFDR MODE is written.

ELECTRICAL CHARACTERISTICS

Typical values at 25°C, MIN and MAX values are across the full temperature range $T_{MIN} = -40^{\circ}C$ to $T_{MAX} = 85^{\circ}C$, AVDD = 1.8V, AVDD_3V = 3.3V, DRVDD = 1.8V, IOVDD = 1.8V, Clock frequency = 80MSPS, 50% clock duty cycle, -1dBFS differential analog input, internal reference mode, CML buffer current setting = 16 mA, unless otherwise noted.

PARAMETER		TEST CONDITIONS	MIN	TYP	MAX	UNIT
REFERENCE VOLTAGES – INTERNAL						
VCM analog input common mode voltage (output)				1.95		V
VCM output current (resulting in a VCM change of ± 50 mV)				2.5		mA
REFERENCE VOLTAGES – EXTERNAL						
VCM reference voltage (Input)				1.4 \pm 0.1		V
ANALOG INPUT						
Differential input voltage range				2.0		V _{pp}
Differential input capacitance				3		pF
Analog input bandwidth				480		MHz
Analog input common mode range				VCM \pm 0.05		V
Analog input common mode current (per input pin)				1.6		μ A
DC ACCURACY						
Offset error			-20		20	mV
Gain error	Due to internal reference inaccuracy alone		-2.5		2.5	%FS
	Due to channel alone				5	%FS
Gain error temperature coefficient				0.006		mV/ $^{\circ}C$
AC Power Supply Rejection Ratio, PSRR		50 mV _{PP} signal on AVDD supply		>30		dB
POWERDOWN MODES						
Complete powerdown mode				10		mW
Fast recovery powerdown mode				210		mW
Power with no clock				115		mW
DNL differential nonlinearity			-0.7	\pm 0.3	0.8	LSB
INL integral nonlinearity				\pm 0.7	\pm 1.5	LSB
POWER SUPPLY CURRENTS						
AVDD current				105	122	mA
AVDD_3V current				40	51	mA
DRVDD current				50	61	mA
IOVDD current				16	21	mA
Total power				440	500	mW
DYNAMIC PERFORMANCE⁽¹⁾						
SFDR	IF = 10 MHz			80		dBc
	IF = 185 MHz		70	80		dBc
SNR	IF = 10 MHz			71.7		dBFS
	IF = 185 MHz		68	70.5		dBFS
SINAD	IF = 10 MHz			71.2		dBFS
	IF = 185 MHz			70.1		dBFS
HD3	IF = 10 MHz			80		dBc
	IF = 185 MHz		70	80		dBc
HD2	IF = 10 MHz			100		dBc
	IF = 185 MHz		70	80		dBc
Worst spur (excluding HD2, HD3)	IF = 10 MHz			90		dBc
	IF = 185 MHz		81	87		dBc

(1) HIGH SFDR MODE is enabled.

DIGITAL CHARACTERISTICS

The DC specifications refer to the condition where the digital outputs are not switching, but are permanently at a valid logic level 0 or 1

PARAMETER	TEST CONDITIONS	MIN	TYP	MAX	UNIT
DIGITAL INPUTS					
High-level input voltage		1.2			V
Low-level input voltage				0.6	V
High-level input current	SEN		0		μA
	SCLK, SDATA, RESET, PDN, PDN_ANA		10		
Low-level input current	SEN		10		μA
	SCLK, SDATA, RESET, PDN, PDN_ANA		0		
DIGITAL OUTPUTS (SDOUT)					
High-level output voltage		DRVDD-0.1	DRVDD		V
Low-level output voltage			0	0.1	V
CML OUTPUTS – 50 Ω SINGLE-ENDED EXTERNAL TERMINATION TO IOVDD					
IOVDD supply range		1.2	1.8	1.9	V
High-level output voltage			IOVDD		V
Low-level output voltage			IOVDD-0.4		V
Output differential voltage, VOD			0.4		V
Output common-mode voltage, V _{OCM}			IOVDD-0.2		V
Transmitter short circuit current	Transmitter terminals shorted to any voltage between -0.25V and 1.45V	-90		50	mA
Single-ended output impedance			50		Ω
Unit interval, UI		625		3200	UI
Total Jitter, T _J			0.35		p-pUI
Rise/ fall times	5 pF single-ended load capacitance to ground		175		ps

WAKE-UP TIMING CHARACTERISTICS

PARAMETER	TEST CONDITIONS	MIN	TYP	MAX	UNIT
Wake-up time	Time to valid data after coming out of COMPLETE POWERDOWN mode		50		μs
	Time to valid data after coming out of FAST RECOVERY POWERDOWN mode		50		μs
	Time to valid data after coming out of SOFTWARE POWERDOWN mode		10		μs
	Time to valid data after stopping and restarting the input clock		5		μs

DETAILED DESCRIPTION

JESD204A OUTPUT INTERFACE

The 12-bit ADC output is padded with 4 zeros on the LSB side to form a 16-bit output. Two 8B10B codes are formed – one from the 8 MSBs and the other from the 6 LSBs and the 2 padded zeros .

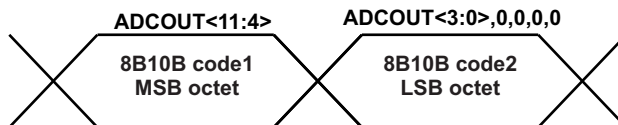


Figure 1. Mapping of ADC Output to Two 8B10B Codes

The two octets can be either transmitted on the same lane (single lane interface) or on two lanes (dual lane interface). By default, the device operates in single lane interface.

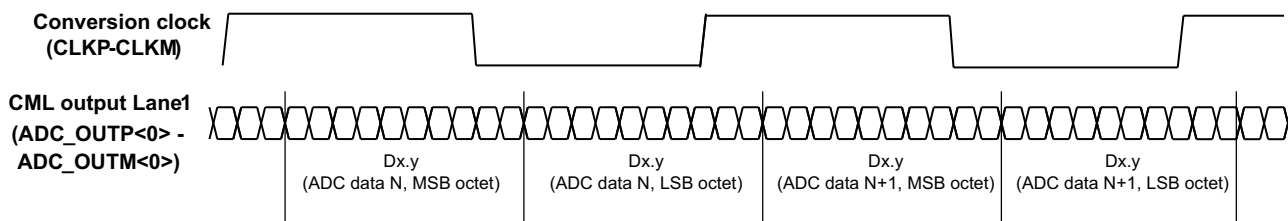


Figure 2. Single Lane Timing

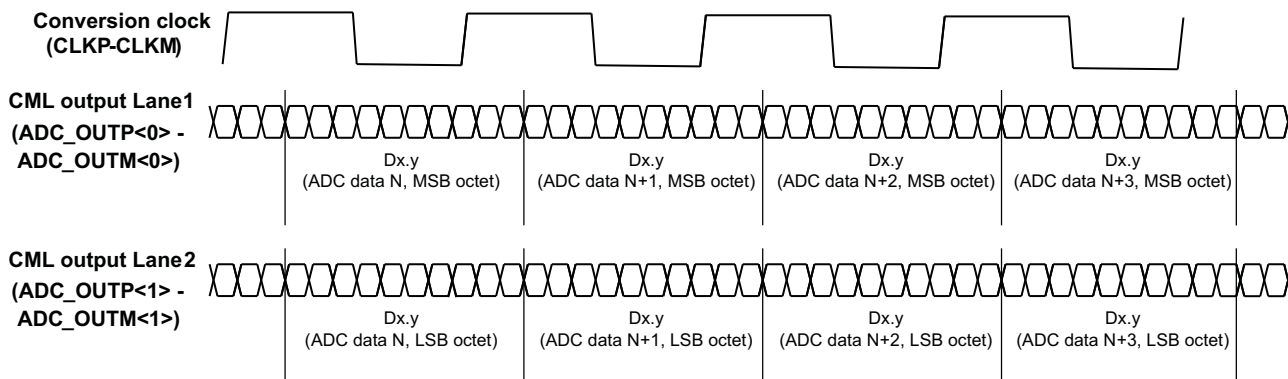
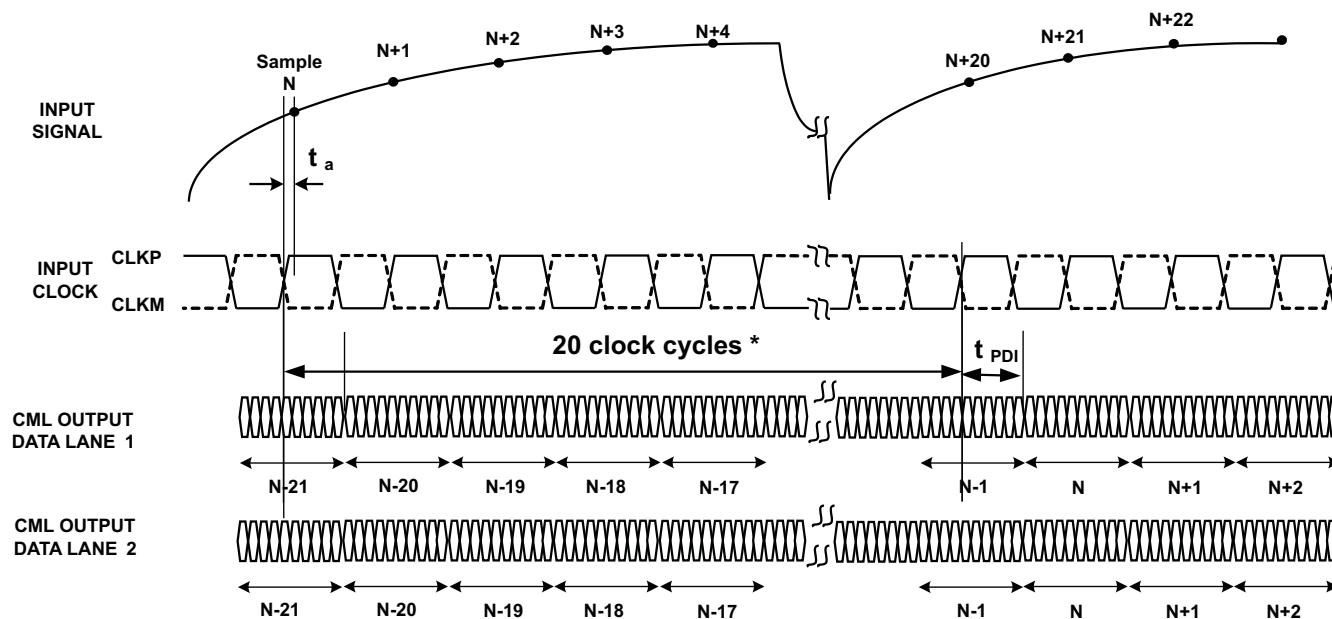


Figure 3. Dual Lane Timing

The detailed timing diagram in the dual lane mode is shown below:



* This is the ADC latency. At higher sampling frequencies, $t_{PDI} > 1$ clock cycle. Then, overall latency = ADC latency + 1.

Figure 4. Data Timing Diagram - Dual Lane Mode

PARAMETER	30 MSPS	40 MSPS	60 MSPS	80 MSPS
Aperture delay – T_A	560 ps	560 ps	560 ps	560 ps
Aperture jitter (RMS) – T_J	125 fs	125 fs	125 fs	125 fs
Latency	20 clocks	20 clocks	20 clocks	20 clocks
t_{PDI} Data propagation delay	33.3 ns	26.2 ns	18.9 ns	15.3 ns

Whenever there is a need to synchronize to the frame boundary of the output data stream, the receiver issues a synchronization request through the SYNC~P, SYNC~M pins. Below diagram shows how the transmission switches from normal data (D) to code group synchronization symbols K28.5 symbols during and after a synchronization request.

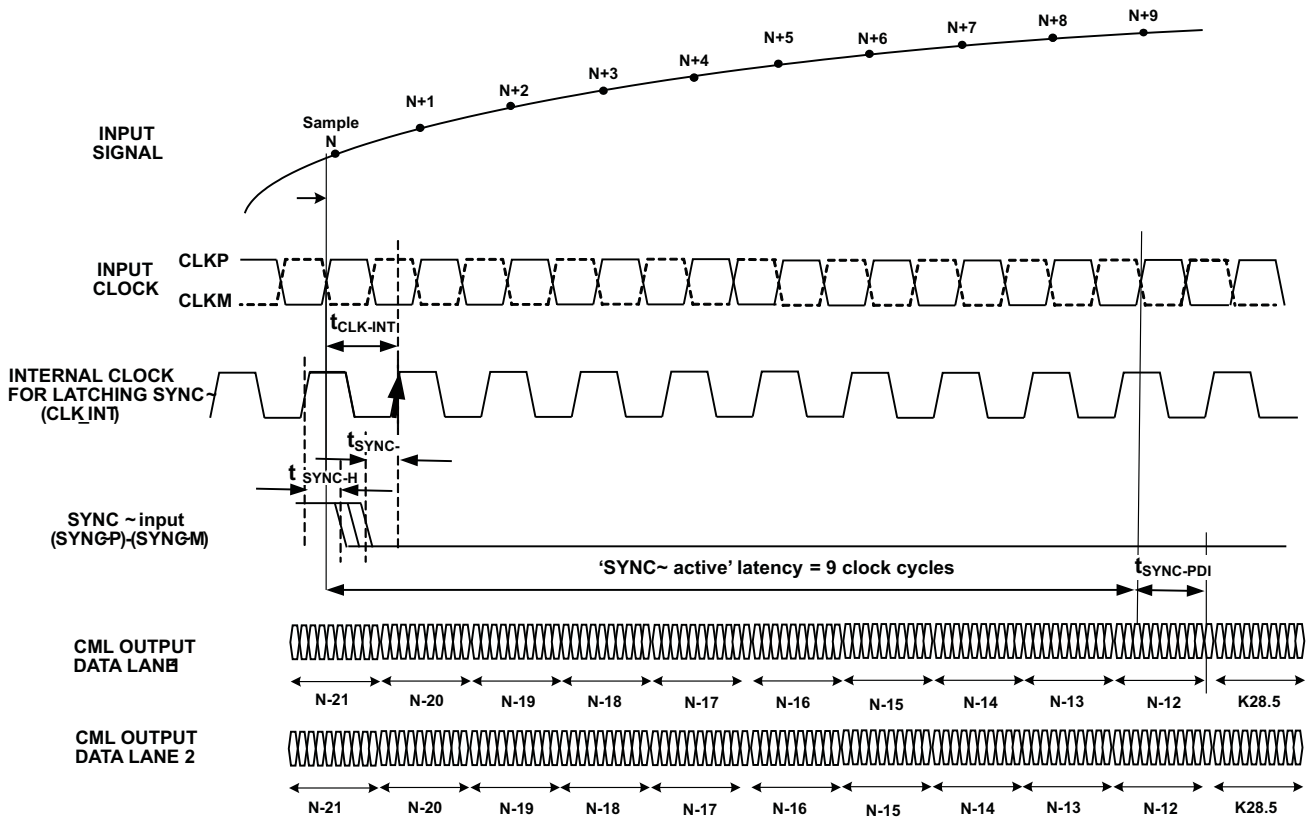


Figure 5. SYNC~ ACTIVE Timing Diagram

Table 1. SYNC~ Falling Edge Timing at 80 MSPS

PARAMETER	DESCRIPTION	TYP	UNIT
$t_{CLK-INT}$	Delay from input clock rising edge to the rising edge of the internal clock (CLK_INT) used to latch falling edge of SYNC~	10.5	ns
$t_{SYNC-SU}$	SYNC~ active edge setup time	2	ns
t_{SYNC-H}	SYNC~ active edge hold time	2	ns
	SYNC~ active latency	9	clocks
$t_{SYNC-PDI}$	SYNC~ data propagation delay	15.3	ns

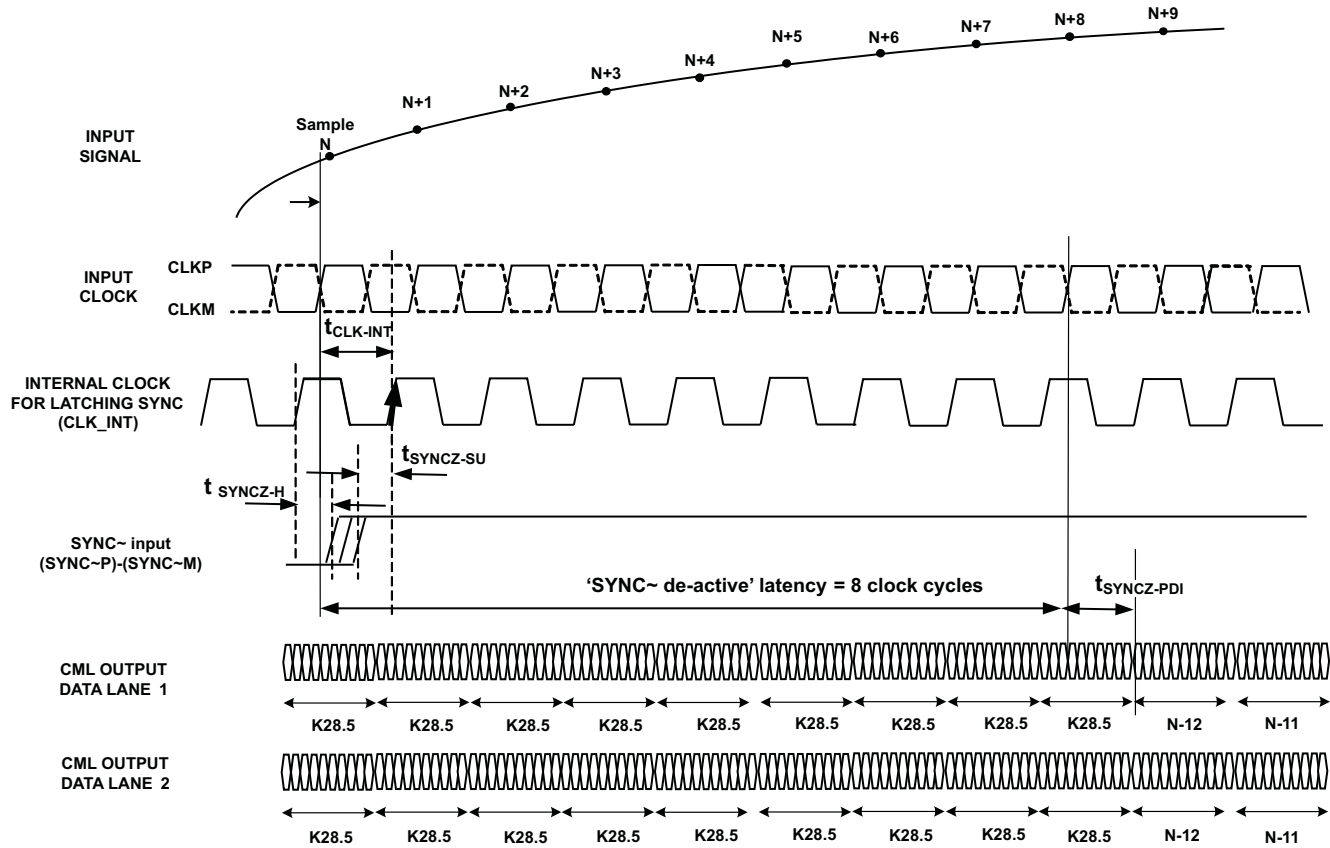


Figure 6. SYNC~ DE-ACTIVE Timing Diagram

Table 2. SYNC~ Rising Edge Timing at 80 MSPS

PARAMETER	DESCRIPTION	TYP	UNIT
$t_{CLK-INT}$	Delay from input clock rising edge to the rising edge of the internal clock (CLK_INT) used to latch rising edge of SYNC~	10.5	ns
$t_{SYNCZ-SU}$	SYNC~ active edge setup time Minimum delay required from SYNC~ rising edge to CLK_INT rising edge	2	ns
$t_{SYNCZ-H}$	SYNC~ active edge hold time Minimum delay required from CLK_INT rising edge to SYNC~ rising edge	2	ns
	SYNC~ de-active latency Number of clocks for normal data to appear at the output after a SYNC~ de-activate request	8	clocks
$t_{SYNCZ-PDI}$	SYNC~ de-active data propagation delay Similar to data propagation delay	15.3	ns

4-LEVEL CONTROL

In the ADS61JB23 the DFS_EXTREF and MODE pins function as 4-level control pins as described in Table 3 and Table 4. A simple scheme to generate 4-level voltage is shown in Figure 7.

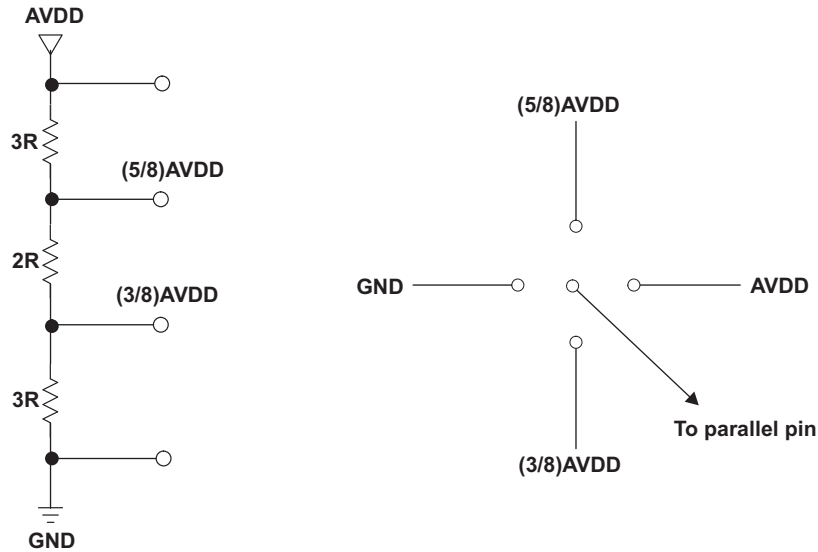


Figure 7. Simple Scheme to Configure 4-Level Control Pins

Table 3. Pin 3 – DFS_EXTREF

DFS_EXTREF	DESCRIPTION
0 +150 mV/-0 mV	EXTREF = 0, DFS = 0
(3/8)AVDD ±150 mV	EXTREF = 1, DFS = 0
(5/8)AVDD ±150 mV	EXTREF = 1, DFS = 1
AVDD +0 mV/-150 mV	EXTREF = 0, DFS = 1

Key:

EXTREF: 0 = Internal reference mode, 1 = External reference mode.
DFS: 0 = 2's complement output, 1 = Offset binary output.

PARALLEL INTERFACE MODE

The ADS61JB23 operates in parallel interface mode when a suitable voltage is applied on the MODE pin as described in Table 4. In parallel interface mode, the SEN, SDATA, SCLK, and SDOOUT pins function differently compared to serial interface mode. In this mode, the SEN_FALIGN_IDLE and SCLK_SERF0_SCR pins turn into 4-level control pins for JESD interface as described in Table 5 and Table 6, whereas the SDATA_TEST0 and SDOOUT_TEST1 pins turn into 2-level control pins as described in Table 7.

Table 4. Pin 19 - Mode

MODE	DESCRIPTION
0 +150 mV/–0 mV	Serial interface mode. Pins 23, 24 and 25 are configured as SEN, SDATA, SCLK. Pins 36, 37, 38, 39 are configured to output either early signal estimate or signal power estimate – selection is based on register settings.
(3/8)AVDD ±150 mV	Do not use
(5/8)AVDD ±150 mV	Parallel interface mode. Pins 23, 24 and 25 are configured as parallel input pins for controlling JESD204A modes. Pins 36,37,38, 39 outputs early signal estimate always.
AVDD +0 mV/–150 mV	Do not use.

Table 5. Pin 23 - SEN_FALIGN_IDLE (in Parallel Interface Mode)

SEN_FALIGN_IDLE	DESCRIPTION
0 +150 mV/–0 mV	FALIGN = 0, IDLE = 0
(3/8)AVDD ±150 mV	FALIGN = 1, IDLE = 0
(5/8)AVDD ±150 mV	FALIGN = 1, IDLE = 1
AVDD +0 mV/–150 mV	FALIGN = 0, IDLE = 1

Key:

FALIGN: When the last octet of the current frame is the same as the last octet of the previous frame, then FALIGN determines whether the last octet of the current frame is transmitted as is, or replaced by a K28.7 control symbol. When FALIGN=0, it is transmitted as is. When FALIGN=1, it is replaced with a K28.7 control symbol.

IDLE: IDLE determines the synchronization characters transmitted during and immediately after a SYNC event. When IDLE=0, the device transmits K28.5 as per the JESD204A spec. When IDLE=1, the device alternately transmits K28.5 and D5.6/D16.2 characters as per IEEE Std 802.3-2002 part3, Clause 36.2.4.12. This is the case in both single and dual lane modes.

Table 6. Pin 25 - SCLK_SERF0_SCR (in Parallel Interface Mode)

SCLK_SERF0_SCR	DESCRIPTION
0 +150 mV/–0 mV	SERF0 = 0, SCR = 0
(3/8)AVDD ±150 mV	SERF0 = 1, SCR = 0
(5/8)AVDD ±150 mV	SERF0 = 1, SCR = 1
AVDD +0 mV/–150 mV	SERF0 = 0, SCR = 1

Key:

SERF0: Output serialization factor. When SERF0=0, the device transmits 2 octets per frame (entire ADC channel in a single lane) with an output serialization factor of 20. When SERF0=1, the device transmits 1 octet per frame (ADC channel over 2 lanes) with an output serialization factor of 10.

SCR: SCR=0: Scrambling disabled. SCR=1: Scrambling (as per JESD204A) enabled

Table 7. Pins 24 and 28 - SDATA_TEST0 and SDOUT_TEST1 (in Parallel Interface Mode)

TEST1	TEST0	MODE
0	0	Normal mode. Input to JESD204A encoder is ADC data
0	1	Input to JESD204A encoder is B5B5. Output is a stream of D21.5 (alternating 1 and 0)
1	0	Input to JESD204A encoder is FF00
1	1	Input to JESD204A encoder is a pseudo random pattern $1 + X^{14} + X^{15}$ (irrespective of whether scrambler is enabled or not)

SERIAL INTERFACE

The ADC has a set of internal registers, which can be accessed by the serial interface formed by pins Serial interface Enable (SEN), Serial Interface Clock (SCLK) and Serial Interface Data (SDATA).

Serial shift of bits into the device is enabled when SEN is low. Serial data SDATA is latched at every falling edge of SCLK when SEN is active (low). The serial data is loaded into the register at every 16th SCLK falling edge when SEN is low. In case the word length exceeds a multiple of 16 bits, the excess bits are ignored. Data can be loaded in multiple of 16-bit words within a single active SEN pulse.

The first 8 bits form the register address and the remaining 8 bits are the register data. The interface can work with SCLK frequency from 20 MHz down to very low speeds (few Hertz) and also with non-50% SCLK duty cycle.

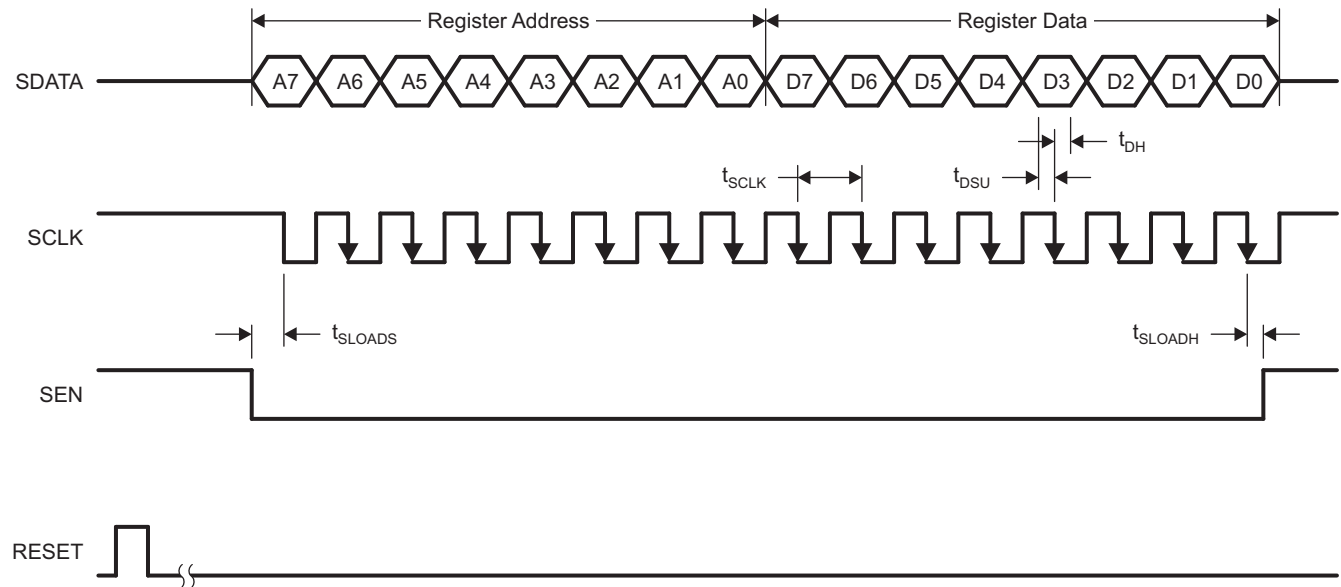
REGISTER INITIALIZATION

After power-up, the internal registers MUST be initialized to their default values. This can be done in one of two ways:

1. Either through hardware reset by applying a high-going pulse on RESET pin (of width greater than 10ns) as shown in [Figure 8](#)

OR

2. By applying software reset. Using the serial interface, set the S_RESET bit (D1 in register 0x00) to HIGH. This initializes internal registers to their default values and then self-resets the S_RESET bit to LOW. In this case the RESET pin is kept LOW.



T0109-04

Figure 8. Serial Interface Timing

SERIAL INTERFACE TIMING CHARACTERISTICS

Typical values at 25°C, MIN and MAX values across the full temperature range $T_{MIN} = -40^{\circ}C$ to $T_{MAX} = 85^{\circ}C$, AVDD = 1.8V, DRVDD = 1.8V, unless otherwise noted.

PARAMETER		MIN	TYP	MAX	UNIT
f_{SCLK}	SCLK frequency (= 1/ t_{SCLK})	> DC		20	MHz
t_{SLOADS}	SEN to SCLK setup time	25			ns
t_{SLOADH}	SCLK to SEN hold time	25			ns
t_{DS}	SDATA setup time	25			ns
t_{DH}	SDATA hold time	25			ns

Serial Register Readout

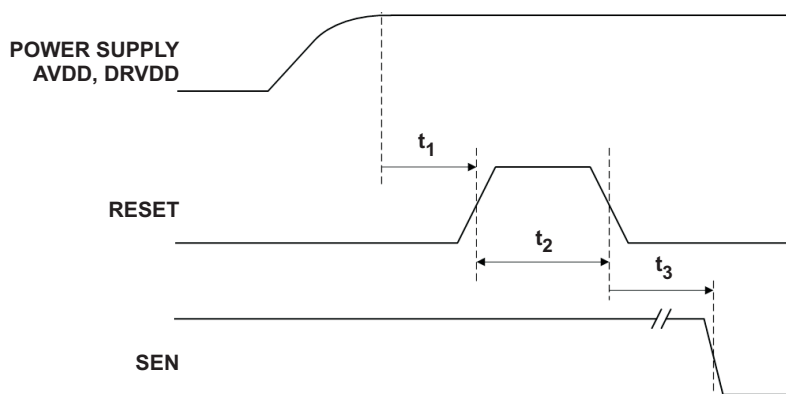
The device includes an option where the contents of the internal registers can be read back. This may be useful as a diagnostic check to verify the serial interface communication between the external controller and the ADC.

1. First, set register bit <SERIAL READOUT> = 1. This also disables any further writes into the registers (EXCEPT register bit <SERIAL READOUT> itself).
2. Initiate a serial interface cycle specifying the address of the register (A7-A0) whose content has to be read.
3. The device outputs the contents (D7-D0) of the selected register on SDOUT_TEST1 pin.
4. The external controller can latch the contents at the falling edge of SCLK.
5. To enable register writes, reset register bit <SERIAL READOUT> = 0.

RESET TIMING

Typical values at 25°C, MIN and MAX values across the full temperature range $T_{MIN} = -40^{\circ}C$ to $T_{MAX} = 85^{\circ}C$, unless otherwise noted.

PARAMETER	CONDITIONS		MIN	TYP	MAX	UNIT
t_1	Power-on delay	Delay from power-up of AVDD and DRVDD to RESET pulse active		1		ms
t_2	Reset pulse width	Pulse width of active RESET signal that will reset the serial registers	10			
t_3		Delay from RESET disable to SEN active	100			ns



NOTE: A high-going pulse on RESET pin is required in case of initialization through hardware reset.

Figure 9. Reset Timing Diagram

SERIAL INTERFACE REGISTER MAP

MODE	BIT LOCATION (Address in Hex <Bit location>)	DESCRIPTION
S_RESET	00<1>	Software RESET. Same function as hardware reset.
SERIAL_READOUT	00<0>	Default = 0 for serial interface write. 1 for serial readout.
HIGH_SFDR_MODE	2<6:4> and 2<0>	Set these bits to get best HD3 when input frequency is between 150MHz to 250MHz.
DFS_OVERRIDE	3C<7>	Override control of DFS_EXTREF pin in controlling DFS select mode, and control it using register bit DFS_REG. When '0', DFS functionality determined by DFS_EXTREF pin. When '1', DFS functionality determined by DFS_REG.
DFS_REG	3C<6>	Register bit for DFS control. When '0', output format is 2's complement. When '1', output format is offset binary. Takes effect when DFS_OVERRIDE is set to '1'.
INT_REF_OVERRIDE	44<3>	Override control of DFS_EXTREF pin in controlling Internal/ External reference select mode, and control it using register bit INT_REF_REG. When '0', Internal/ External reference mode determined by DFS_EXTREF pin. When '1', Internal/ External reference mode determined by INT_REF_REG.
INT_REF_REG	44<2>	Register bit for Internal/ External reference mode control. When '0', Internal reference mode. When '1', External reference mode. Takes effect when INT_REF_OVERRIDE is set to '1'.
S_PDN	44<6>	Software powerdown.
FINE_GAIN<3:0>	45<7:4>	0-6 dB digital gain in steps of 0.5 dB. Default is 0 dB. Refer section titled "FINE GAIN CONTROL"
BYPASS_FINE_GAIN	45<3>	Digital gain bypass. When set to 1, fine gain is bypassed.
ADC_TEST_PAT<2:0>	45<2:0>	Output Test patterns: 000: ADC output data bus is input to JESD204A encoder block 001: ADC bus replaced by min code (000000000000 in offset binary). 010: ADC bus replaced by max code (111111111111 in offset binary). 100: ADC bus replaced by a ramping code pattern that increments by 1 LSB every 4 clocks (and folds back to min code once max code is reached). 011,101,110,111: Do not use
TXMIT_LINKDATA_EN	A0<0>	When set to 1, initial lane alignment sequence (as per JESD204A) is sent after Code group sync in both single lane and dual lane interfaces. When this bit is 0 (default) initial lane alignment sequence is not transmitted.
S_FALIGN	A0<1>	Software Frame Align control. Enables frame alignment monitoring. When this bit is set to 1 (with scrambling turned off) – If the last octet in the previous frame is the same as the last octet in the current frame, then the last octet in the current frame will be replaced with a frame alignment symbol K28.7. When this bit is 0, there is no replacement. When scrambling is ON and this bit is '1': When the last scrambled octet in a frame equals 0xFC, it is encoded as K28.7. This bit control is similar to the FALIGN pin control.
MFALIGN	A0<2>	Multi-frame Align control. Similar to frame align, this refers to multi-frame. Multi-frame alignment symbol is K28.3.
FLIP_ADC_BUS	A0<3>	By default, the last octet in the frame gets derived from the data octet on the LSB side. Since usually the LSB octets switch more (frame to frame) than the MSB octets, the occurrence of consecutive "last octets" might be rare. This might lead to infrequent occurrence of frame alignment symbols. To increase the rate of consecutive last octets (and thereby the rate of frame and multi-frame alignment symbols), this bit can be set to 1. Setting this bit to 1 will flip the bit order of the ADC inputs (N bits) to the JESD204A logic. Note that the 2 zeros padded at the end to make the input to the JESD204A logic remain unchanged.
TESTMODE_EN	A0<4>	Enables the transmission of test sequence mentioned in the JESD204A document.
S_IDLE	A0<5>	Software idle generation control. Normally the output during code group synchronization is K28.5. When idle_sync is set to 1, it is a K28.5 comma followed by either a D5.6 or a D16.2. This is as per IEEE Std 802.3-2002 part3, Clause 36.2.4.12 and enables compatibility with TI's TLK family of devices. This bit control is similar to the IDLE pin control.
S_TEST0	A0<6>	These 2 bit controls are similar to the TEST1 and TEST0 pin controls.
S_TEST1	A0<7>	
CTRL_F	A1<0>	Enables write into A6<7:0>.
CTRL_K	A1<1>	Enables write into A7<4:0>.
S_SCR	A5<7>	Software Scrambling enable. This bit control is similar to the SCR pin control.

MODE	BIT LOCATION (Address in Hex <Bit location>)	DESCRIPTION
F<7:0>	A6<7:0>	Number of octets per frame. Default set to 00000001 (2-1) which is 2 octets per frame (single lane). For 2-lane output (1 octet per frame), set to 00000000. Note that to override default, CTRL_F needs to be set to 1.
K<4:0>	A7<4:0>	Number of frames per multiframe (minus 1). Default depends on value of F<7:0>. When F=0 (10X mode): K=16 (17 frames per multiframe) When F=1 (20X mode): K=8 (9 frames per multiframe) Note that to override the default value of K<4:0>, CTRL_K needs to be set to 1. When CTRL_K is set to 1, the value programmed in A7<4:0> denotes the number of frames per multiframe (minus 1). For eg., to set the number of frames per multiframe to 23, set CTRL_K=1 and A7<4:0>=10110.
CML_I<3:0>	B0<3:0>	CML buffer current select. Default (0000) is 16 mA. Current is calculated as: 16 mA+16 mA×<3>-8 m×<2>-4 mA×<1>-2 mA×<0>
FORCE_OUT_LANE1	B4<3>	Replaces the output of the 8b/10b coder (corresponding to the MSB octet) with a 10-bit word specified in OUT_WORD_LANE1<9:0>
OUT_WORD_LANE1<9:0>	B6<7:0>, B7<7:6>	10-bit word replacing the output of the 8b/10b coder when FORCE_OUT_LANE1 is set to '1'
FORCE_OUT_LANE2	B4<6>	Replaces the output of the 8b/10b coder (corresponding to the LSB octet) with a 10-bit word specified in OUT_WORD_LANE2<9:0>
OUT_WORD_LANE2<9:0>	B8<7:4>, B9<7:2>	10-bit word replacing the output of the 8b/10b coder when FORCE_OUT_LANE2 is set to '1'
EN_SIG_EST	D6<0>	Outputs a 4-bit ADC code with low latency on pins DETECT<3:0>
EN_PWR_EST	D6<5>	Outputs a 4-bit average power estimate of input signal on DETECT<3:0>. Power estimate is in dB scale in steps of roughly 1 dB. Refer section titled SIGNAL POWER ESTIMATION
SAMPLES_PWR_EST<2:0>	D6<4:2>	Determines number of samples to average for power estimation. Programmable from 1K to 16K.

REGISTER MODES

A brief summary of different register modes and their location in the digital processing flow of the ADS61JB23 is shown in Figure 10 and Figure 11.

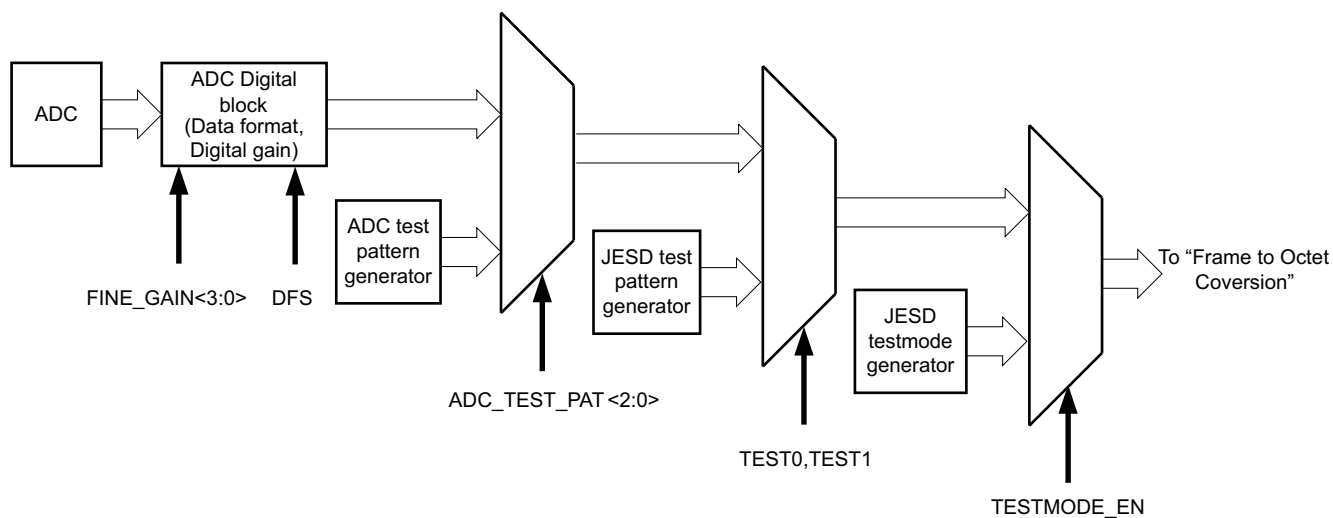


Figure 10. Register Modes Preceding Frame to Octet Conversion Block

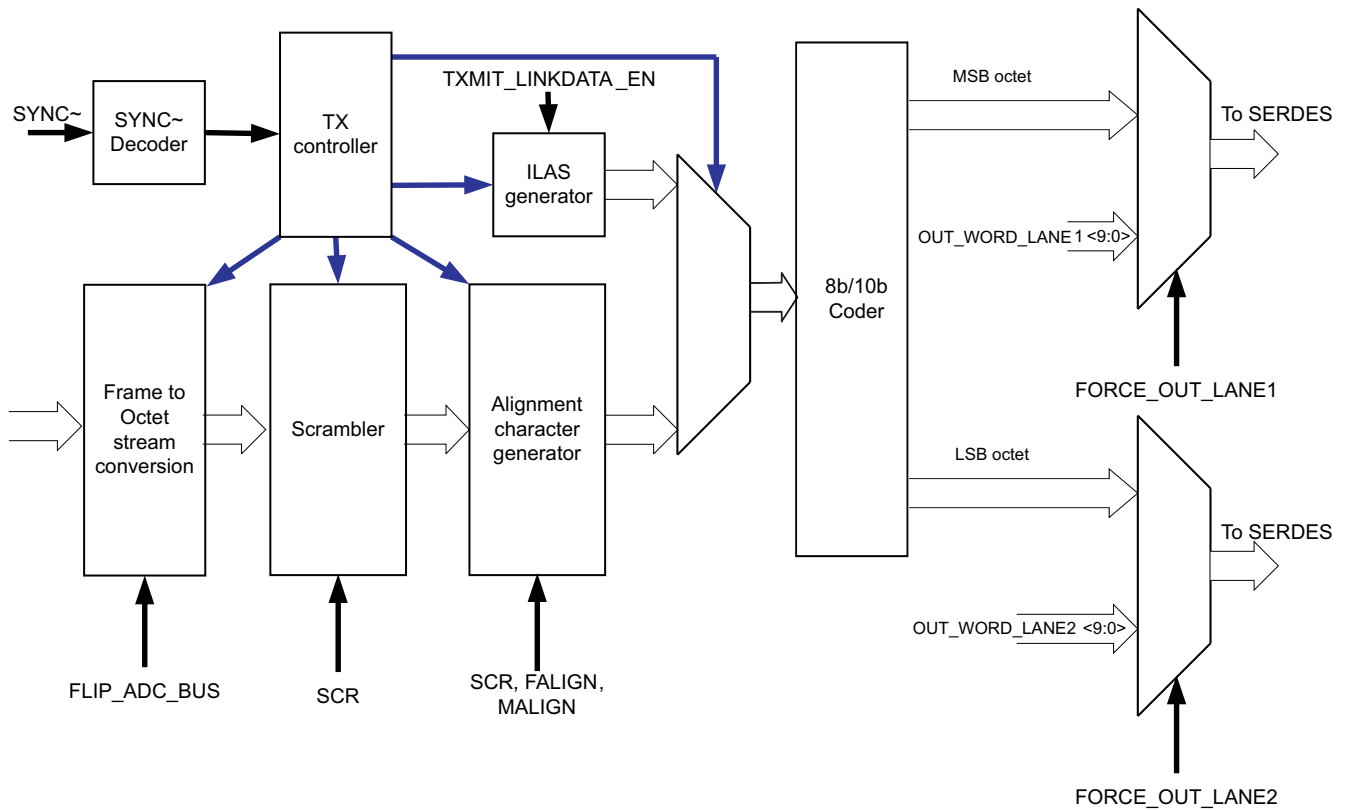


Figure 11. Register Modes Following Frame to Octet Conversion Block

INITIAL LANE ALIGNMENT SEQUENCE

By default the initial lane alignment sequence is not transmitted. To enable transmission of the initial lane alignment sequence,

For the two settings of F, the Mapping of link configuration fields to octets Table of the JESD204A spec is shown in [Table 8](#).

Table 8. Mapping of Link Configuration Fields to Octets

Configuration Octet No.	MSB	6	5	4	3	2	1	LSB
F=1 (20X mode)								
0	DID<7:0> = 00000000							
1	X	X	X	X	BID<3:0> = 0000			
2	X	X	X	LID<4:0> = 00000				
3	SCR<0> - set by S_SCR	X	X	L<4:0> = 00000				
4	F<7:0> = 00000001							
5	X	X	X	K<4:0> = 01000 (or programmed value of A7<4:0> if CTRL_K = 1)				
6	M<7:0> = 00000000							
7	CS<1:0>=00	X		N<4:0> = 01101				
8	X	X	X	N'<4:0> = 01111				
9	X	X	X	S<4:0>=00000				
10	HD<0>=0	X	X	CF<4:0>=00000				
11	RES1<7:0> - Set to all 0							
12	RES2<7:0> - Set to all 0							
13	FCHK<7:0>							
F=0 (10X mode)								
0	DID<7:0> = 00000000							
1	X	X	X	X	BID<3:0> = 0000			
2	X	X	X	LID<4:0> = 00000 for Lane 1 and 00001 for Lane 2				
3	SCR<0> - set by S_SCR	X	X	L<4:0> = 00001				
4	F<7:0> = 00000000							
5	X	X	X	K<4:0> = 10000 (or programmed value of A7<4:0> if CTRL_K = 1)				
6	M<7:0> = 00000000							
7	CS<1:0>=00	X		N<4:0> = 01101				
8	X	X	X	N'<4:0> = 01111				
9	X	X	X	S<4:0>=00000				
10	HD<0>=0	X	X	CF<4:0>=00000				
11	RES1<7:0> - Set to all 0							
12	RES2<7:0> - Set to all 0							
13	FCHK<7:0>							

TYPICAL CHARACTERISTICS

At +25°C, AVDD = 1.8V, AVDD_3V = 3.3V, DRVDD = 1.8V, maximum rated sampling frequency, sine wave input clock, 1.5VPP differential clock amplitude, 50% clock duty cycle, -1dBFS differential analog input, low-latency mode, DDR LVDS output interface, and 32k-point FFT, unless otherwise noted. Note that after reset, the device is in 0dB gain mode

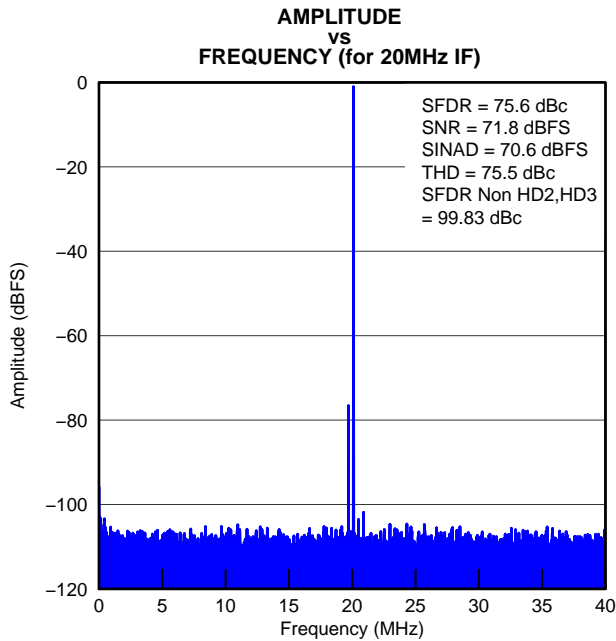


Figure 12.

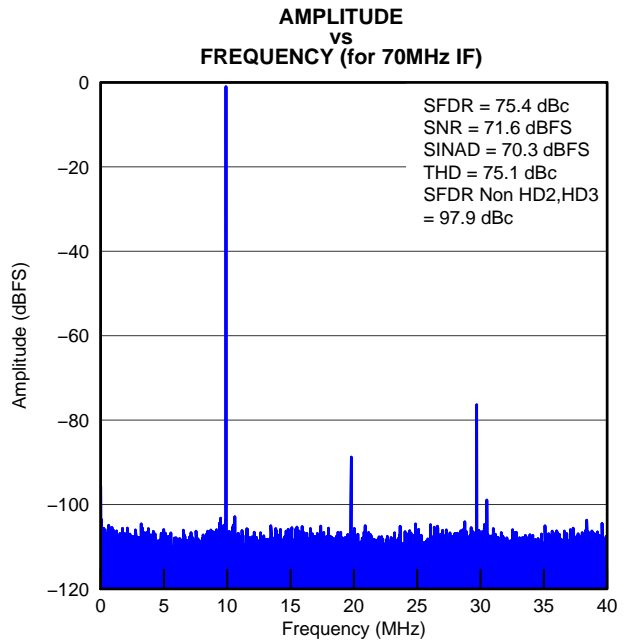


Figure 13.

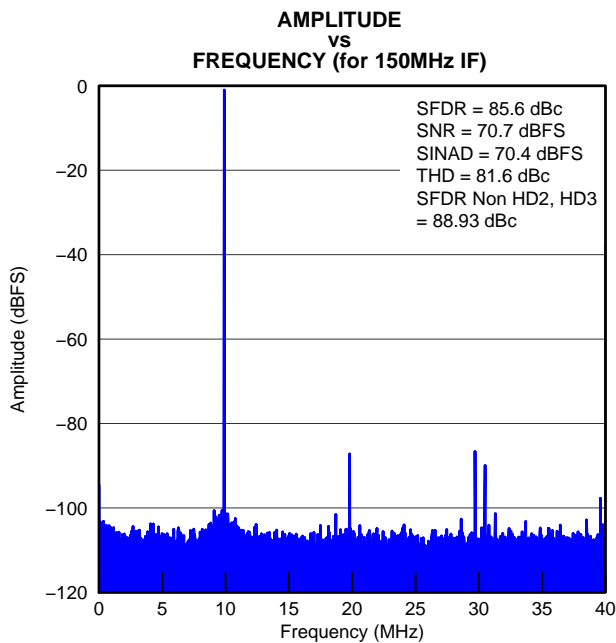


Figure 14.

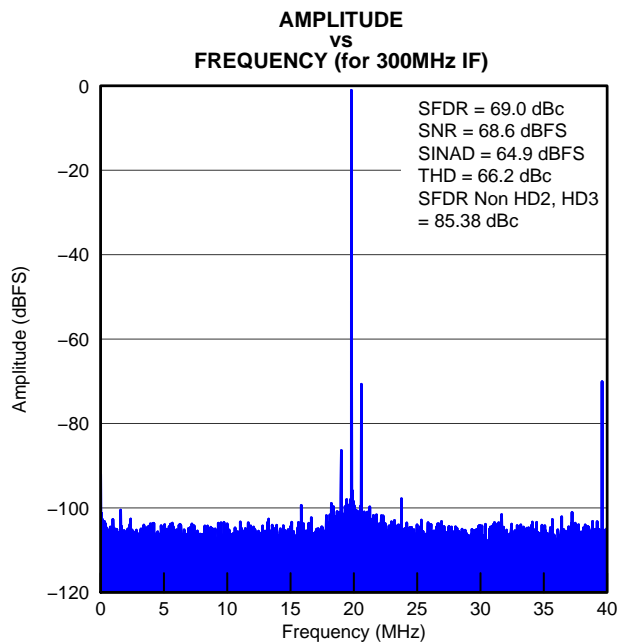


Figure 15.

TYPICAL CHARACTERISTICS (continued)

At +25°C, AVDD = 1.8V, AVDD_3V = 3.3V, DRVDD = 1.8V, maximum rated sampling frequency, sine wave input clock, 1.5VPP differential clock amplitude, 50% clock duty cycle, -1dBFS differential analog input, low-latency mode, DDR LVDS output interface, and 32k-point FFT, unless otherwise noted. Note that after reset, the device is in 0dB gain mode

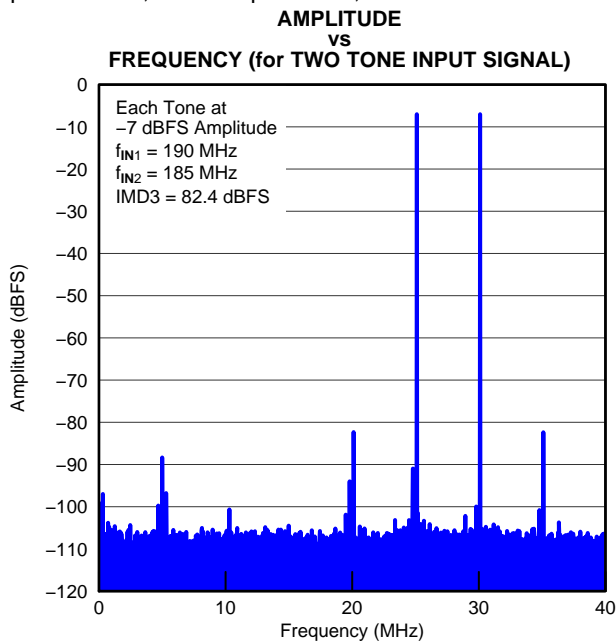


Figure 16.

G033

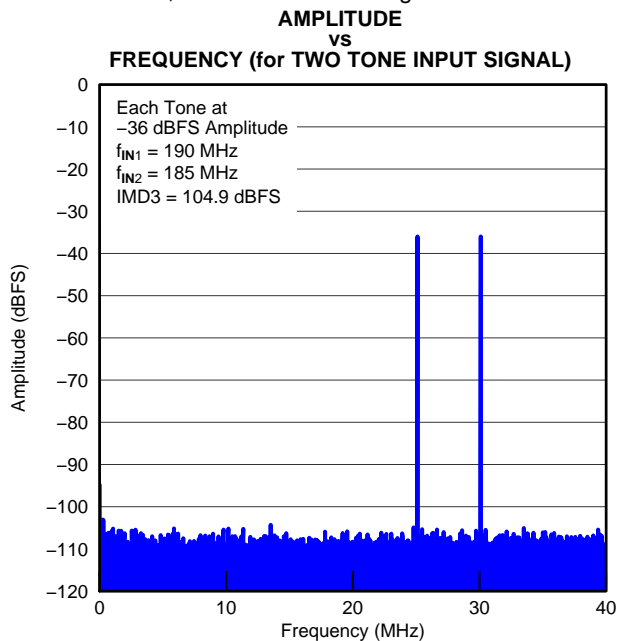


Figure 17.

G034

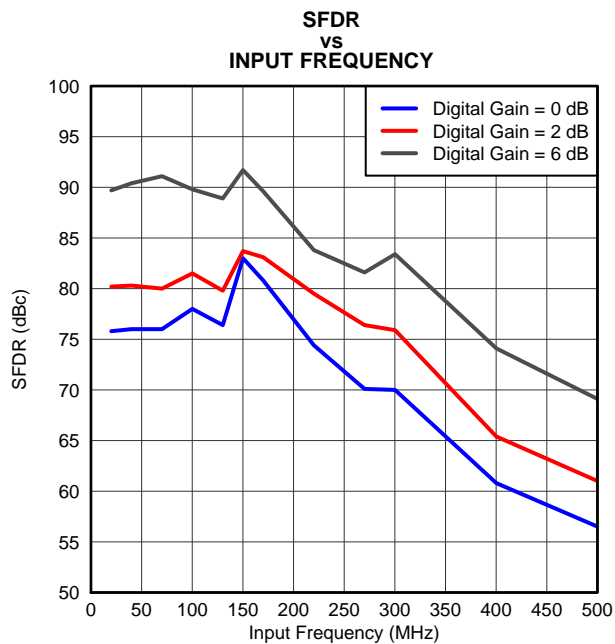


Figure 18.

G035

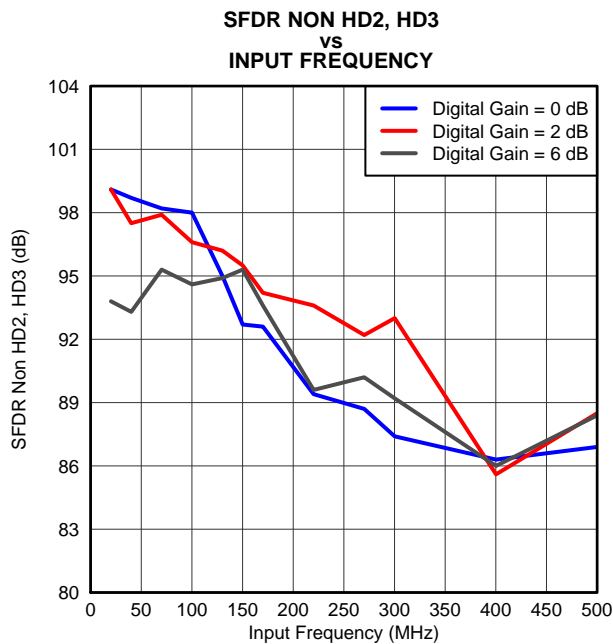


Figure 19.

G036

TYPICAL CHARACTERISTICS (continued)

At +25°C, AVDD = 1.8V, AVDD_3V = 3.3V, DRVDD = 1.8V, maximum rated sampling frequency, sine wave input clock, 1.5VPP differential clock amplitude, 50% clock duty cycle, -1dBFS differential analog input, low-latency mode, DDR LVDS output interface, and 32k-point FFT, unless otherwise noted. Note that after reset, the device is in 0dB gain mode

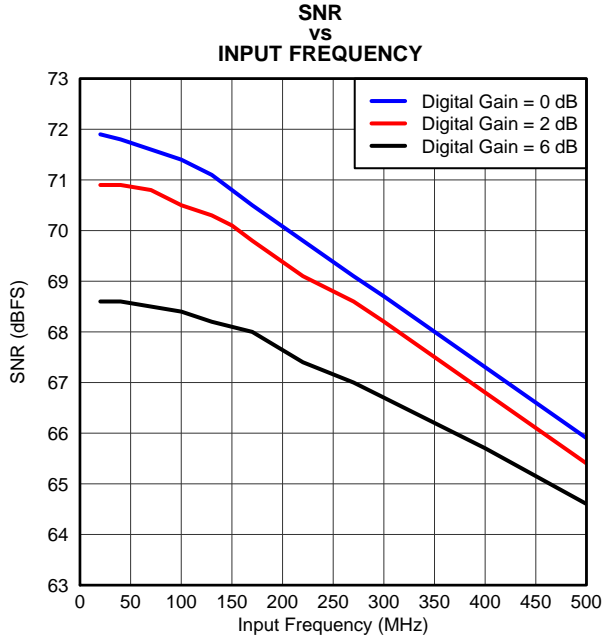


Figure 20.

G037

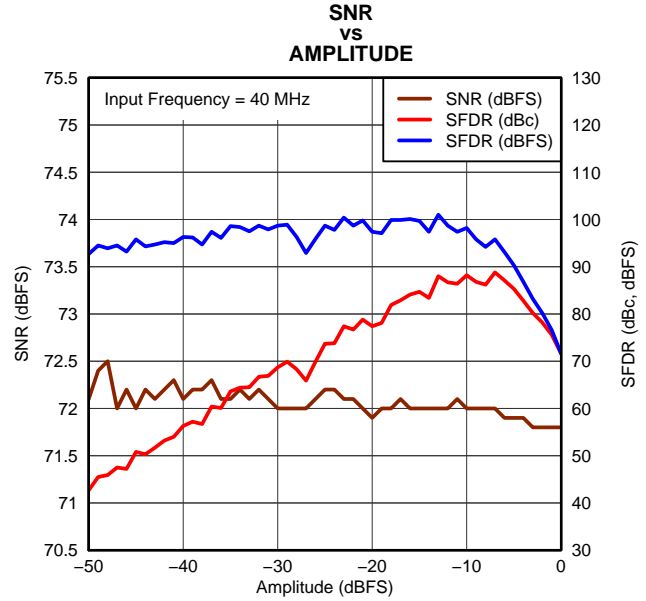


Figure 21.

G038

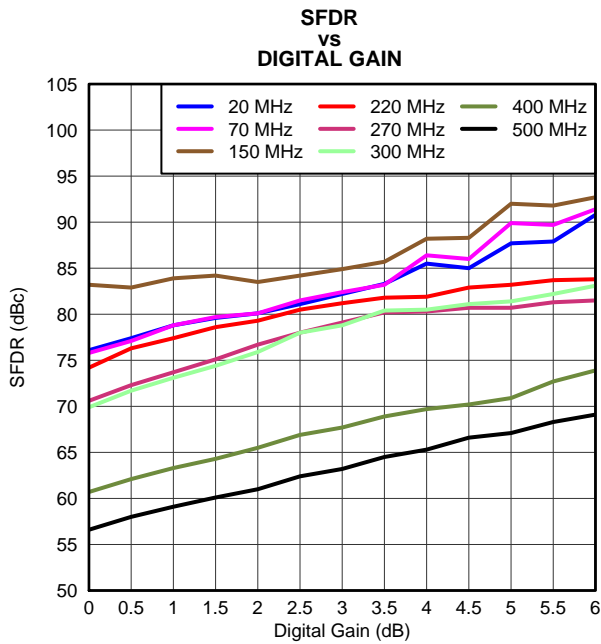


Figure 22.

G039

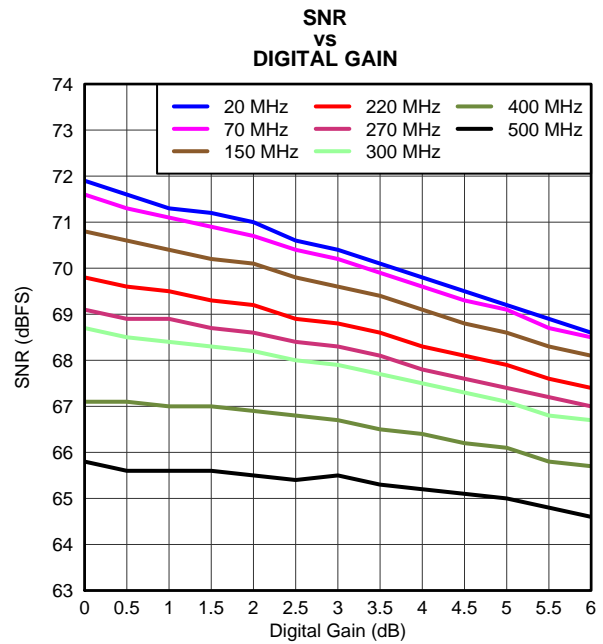


Figure 23.

G040

TYPICAL CHARACTERISTICS (continued)

At +25°C, AVDD = 1.8V, AVDD_3V = 3.3V, DRVDD = 1.8V, maximum rated sampling frequency, sine wave input clock, 1.5VPP differential clock amplitude, 50% clock duty cycle, -1dBFS differential analog input, low-latency mode, DDR LVDS output interface, and 32k-point FFT, unless otherwise noted. Note that after reset, the device is in 0dB gain mode

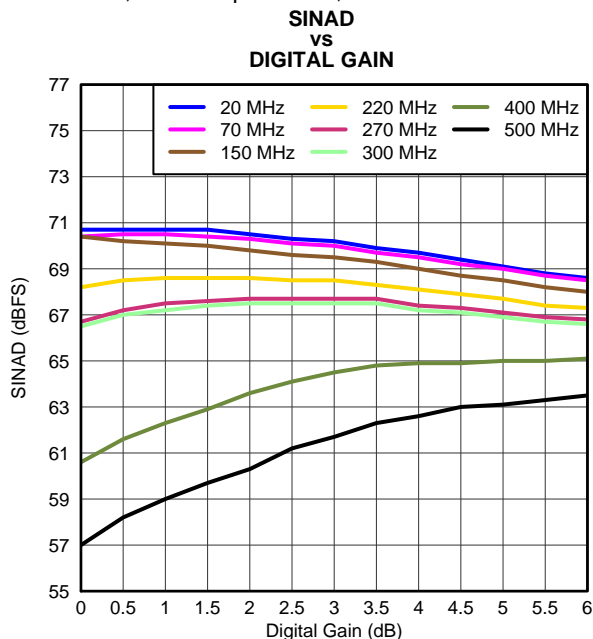


Figure 24.

G041

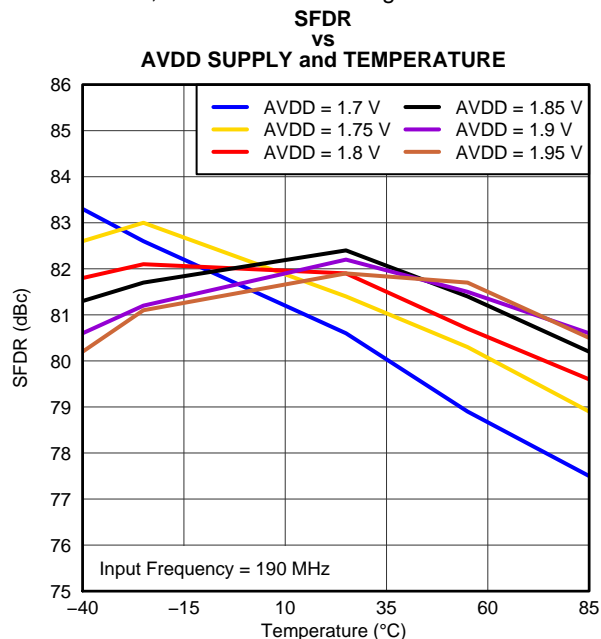


Figure 25.

G042

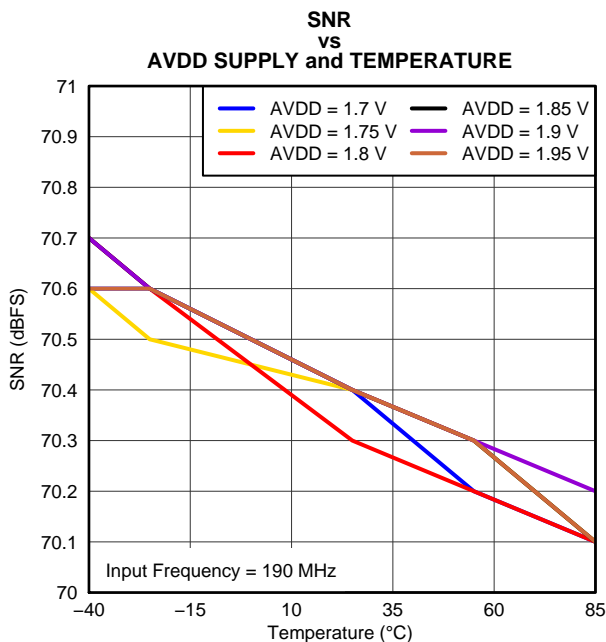


Figure 26.

G043

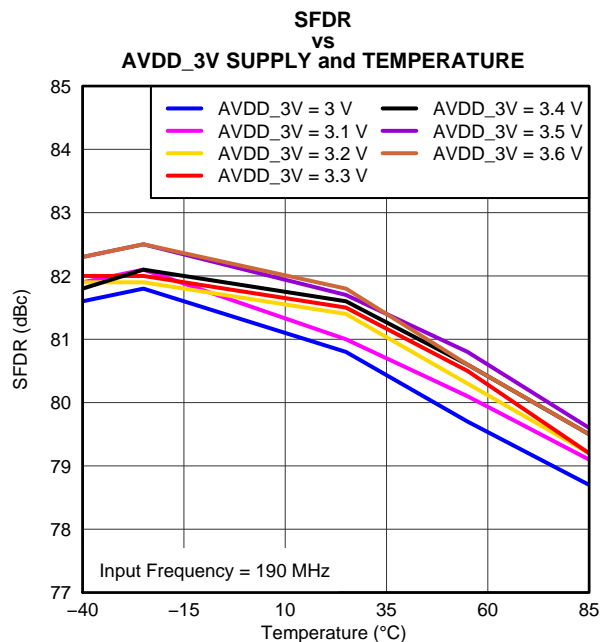


Figure 27.

G044

TYPICAL CHARACTERISTICS (continued)

At +25°C, AVDD = 1.8V, AVDD_3V = 3.3V, DRVDD = 1.8V, maximum rated sampling frequency, sine wave input clock, 1.5VPP differential clock amplitude, 50% clock duty cycle, -1dBFS differential analog input, low-latency mode, DDR LVDS output interface, and 32k-point FFT, unless otherwise noted. Note that after reset, the device is in 0dB gain mode

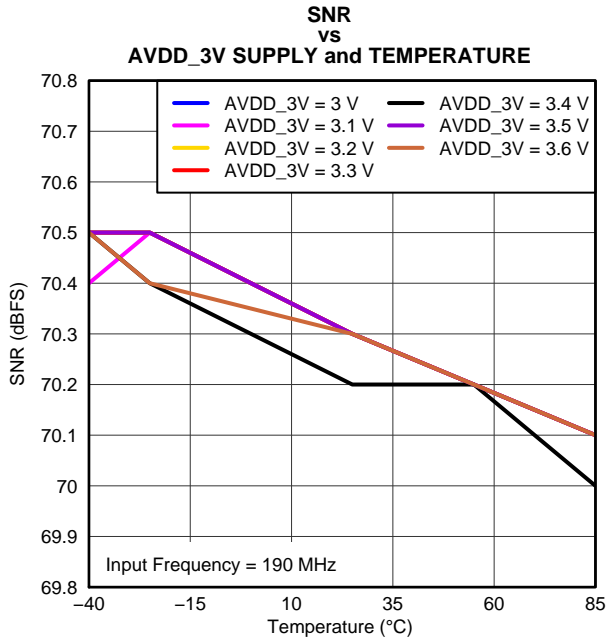


Figure 28.

G045

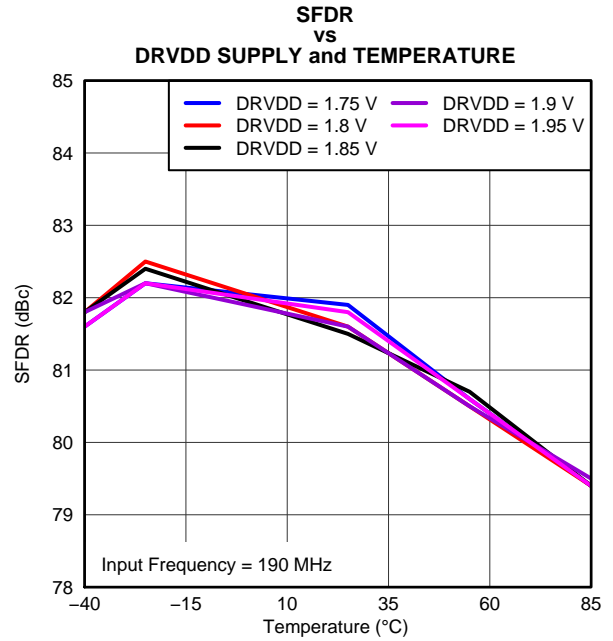


Figure 29.

G046

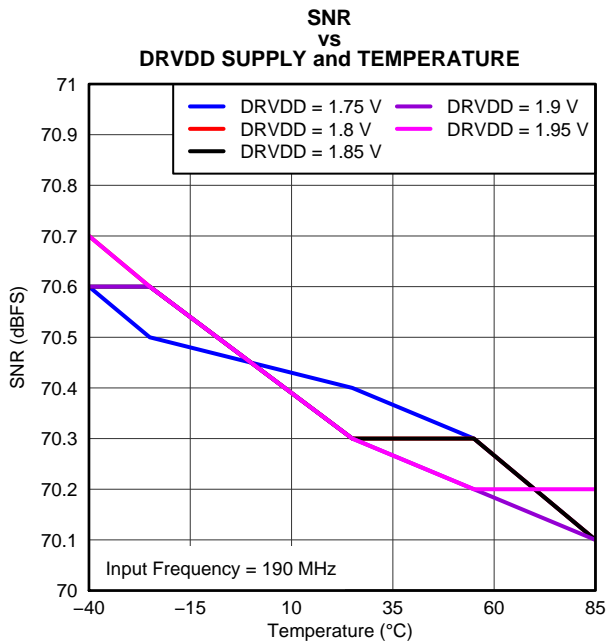


Figure 30.

G047

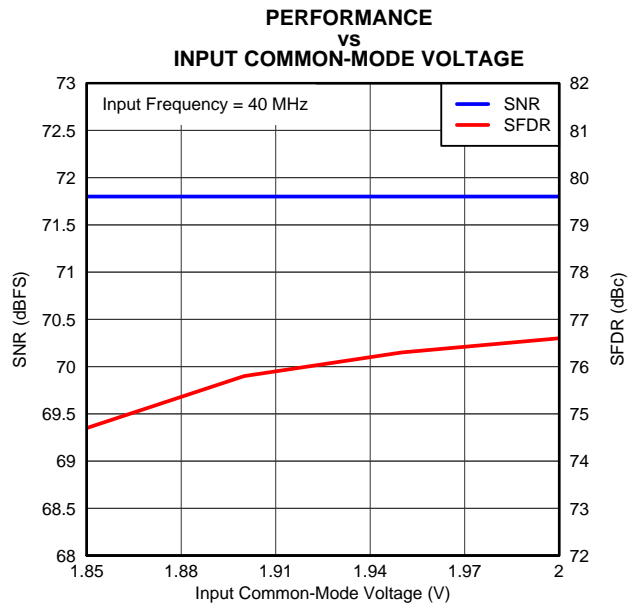


Figure 31.

G048

TYPICAL CHARACTERISTICS (continued)

At +25°C, AVDD = 1.8V, AVDD_3V = 3.3V, DRVDD = 1.8V, maximum rated sampling frequency, sine wave input clock, 1.5VPP differential clock amplitude, 50% clock duty cycle, -1dBFS differential analog input, low-latency mode, DDR LVDS output interface, and 32k-point FFT, unless otherwise noted. Note that after reset, the device is in 0dB gain mode

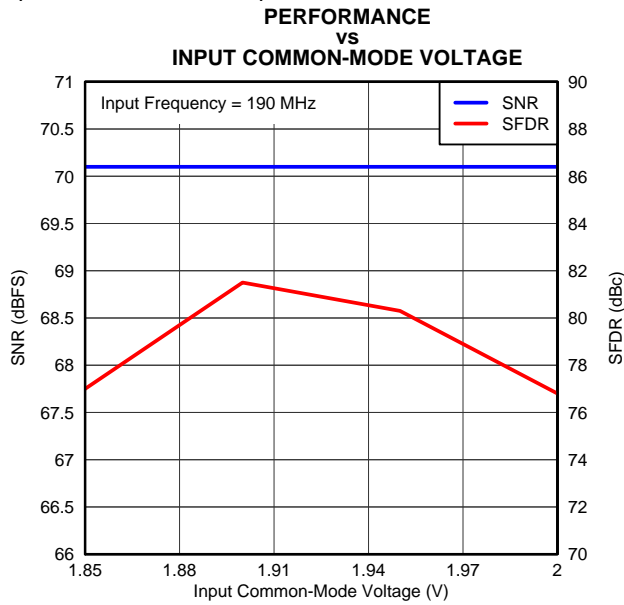


Figure 32.

G049

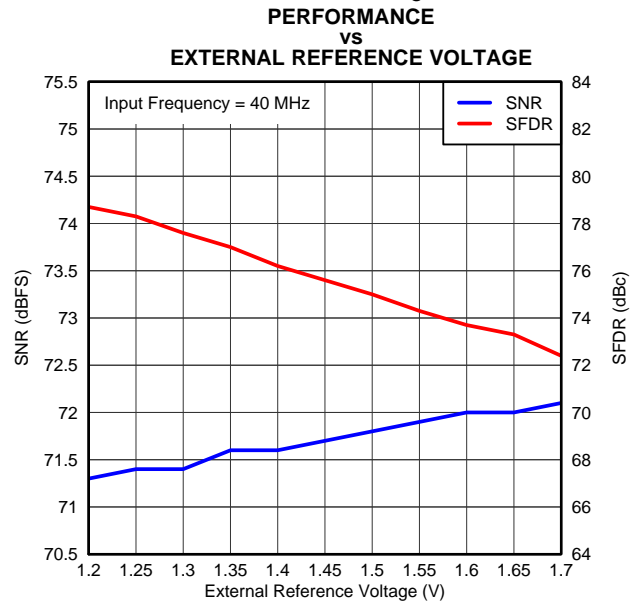


Figure 33.

G050

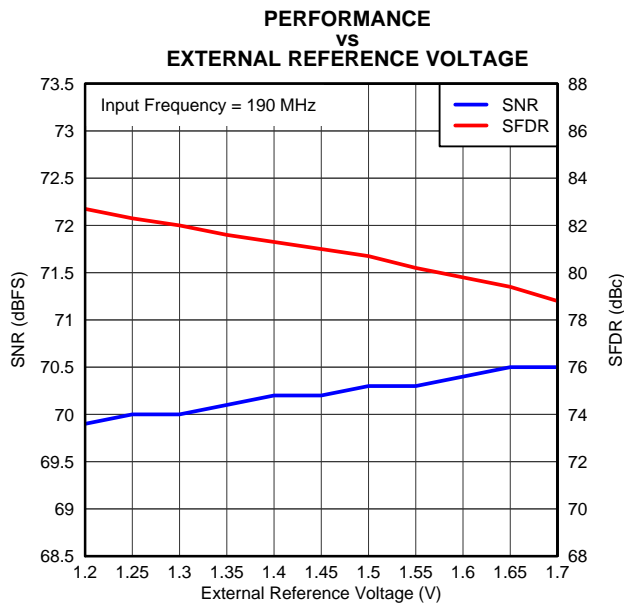


Figure 34.

G051

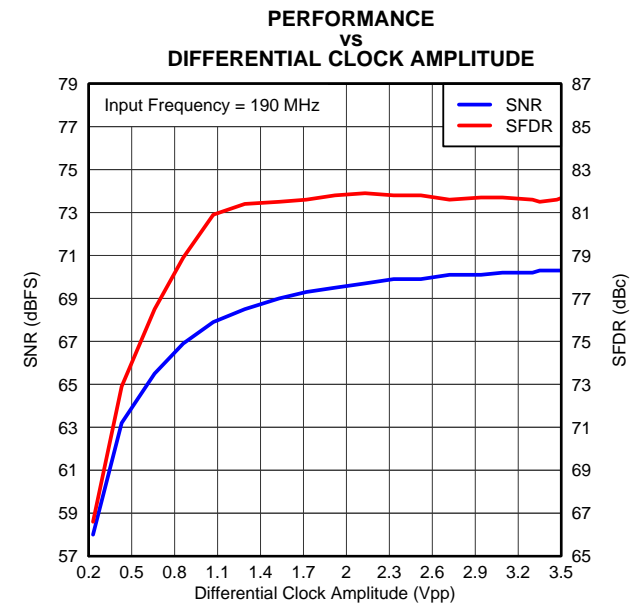


Figure 35.

G052

TYPICAL CHARACTERISTICS (continued)

At +25°C, AVDD = 1.8V, AVDD_3V = 3.3V, DRVDD = 1.8V, maximum rated sampling frequency, sine wave input clock, 1.5VPP differential clock amplitude, 50% clock duty cycle, -1dBFS differential analog input, low-latency mode, DDR LVDS output interface, and 32k-point FFT, unless otherwise noted. Note that after reset, the device is in 0dB gain mode

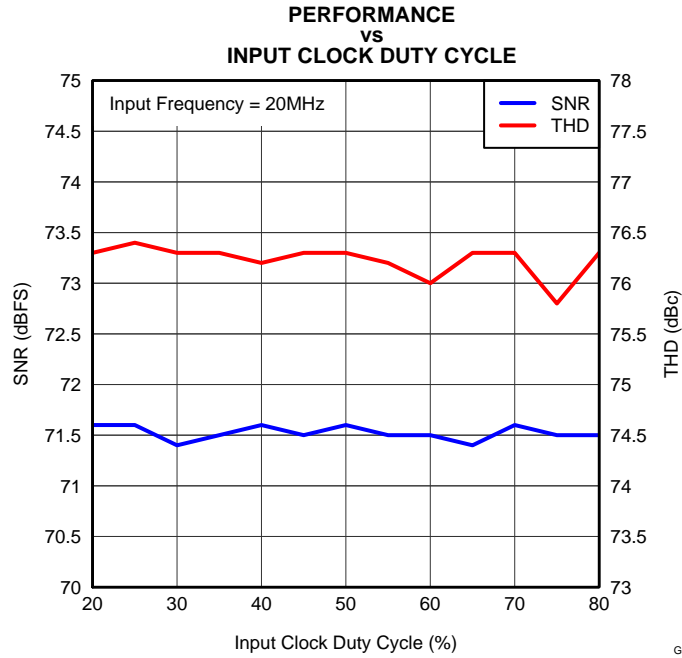


Figure 36.

G053

TYPICAL CHARACTERISTICS: COMMON

At +25°C, AVDD = 1.8V, AVDD_3V = 3.3V, DRVDD = 1.8V, maximum rated sampling frequency, sine wave input clock, 1.5VPP differential clock amplitude, 50% clock duty cycle, -1dBFS differential analog input, low-latency mode, DDR LVDS output interface, and 32k-point FFT, unless otherwise noted. Note that after reset, the device is in 0dB gain mode

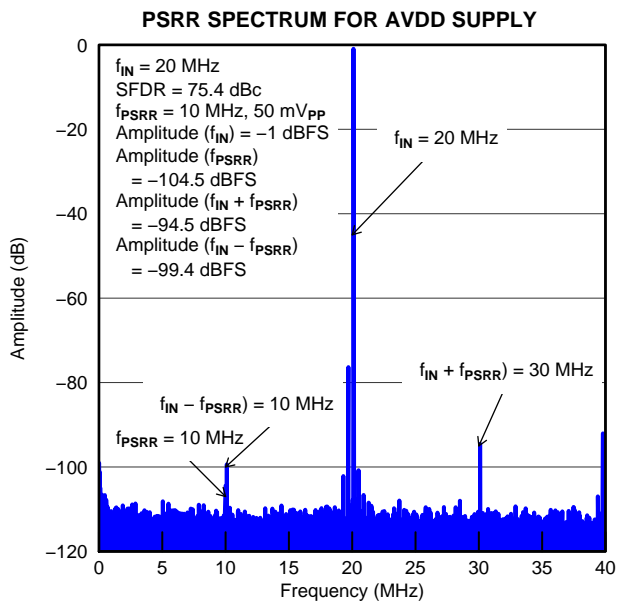


Figure 37.

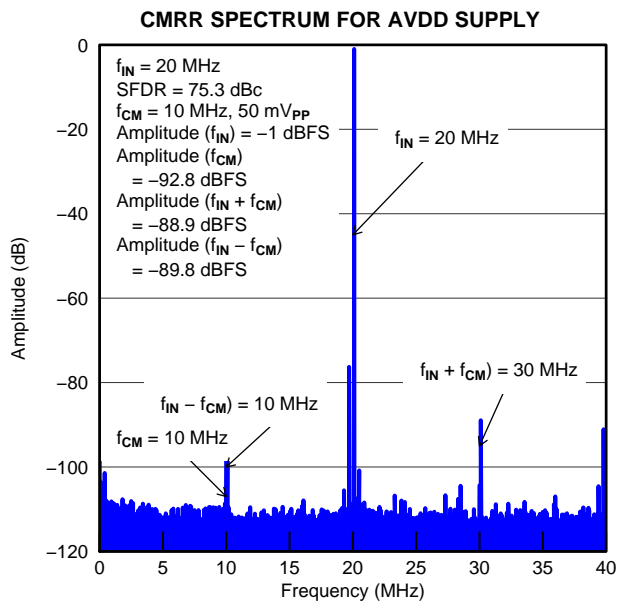


Figure 38.

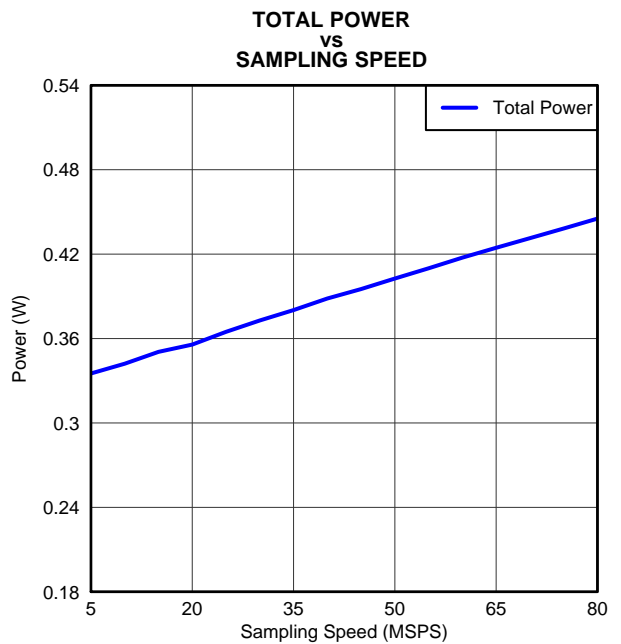


Figure 39.

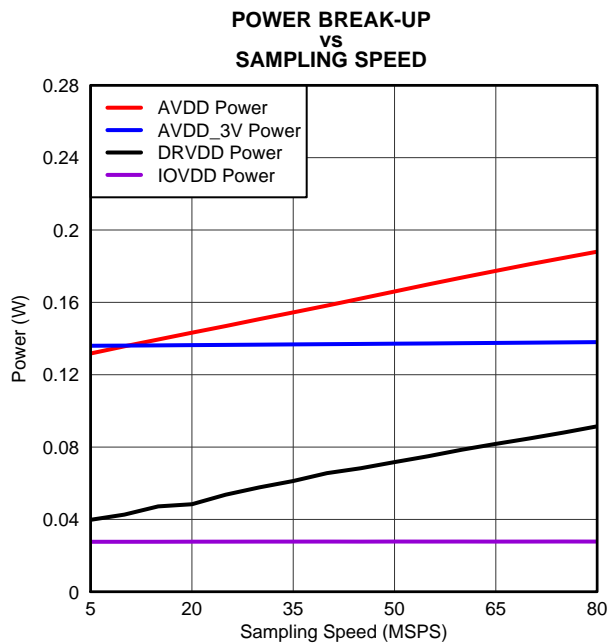


Figure 40.

TYPICAL CHARACTERISTICS: COMMON (continued)

At +25°C, AVDD = 1.8V, AVDD_3V = 3.3V, DRVDD = 1.8V, maximum rated sampling frequency, sine wave input clock, 1.5VPP differential clock amplitude, 50% clock duty cycle, -1dBFS differential analog input, low-latency mode, DDR LVDS output interface, and 32k-point FFT, unless otherwise noted. Note that after reset, the device is in 0dB gain mode

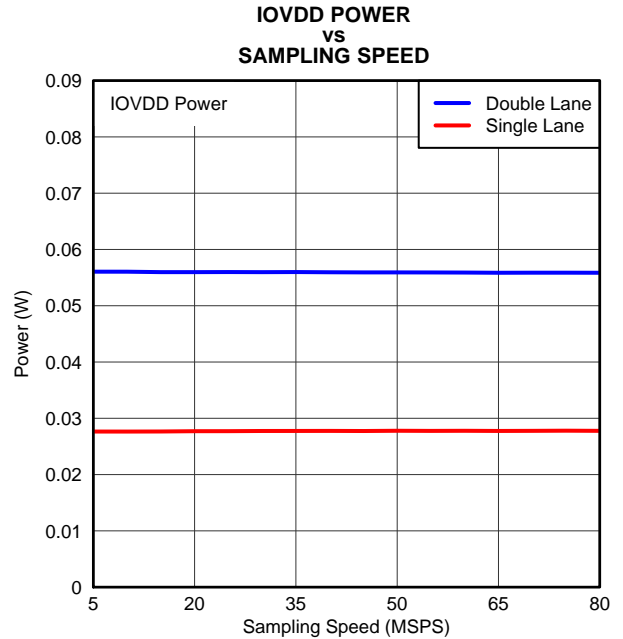
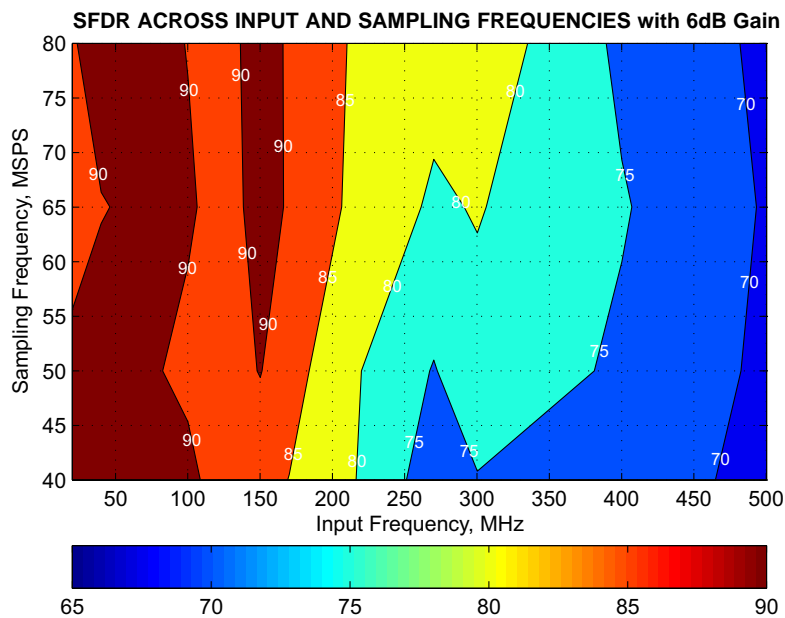
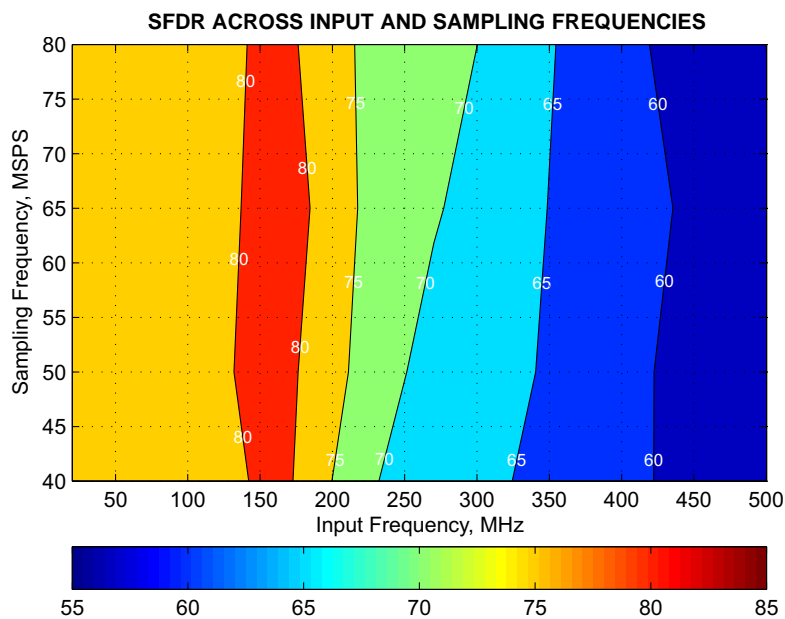


Figure 41.

TYPICAL CHARACTERISTICS: CONTOUR

At +25°C, AVDD = 1.8V, AVDD_3V = 3.3V, DRVDD = 1.8V, maximum rated sampling frequency, sine wave input clock, 1.5VPP differential clock amplitude, 50% clock duty cycle, -1dBFS differential analog input, low-latency mode, DDR LVDS output interface, and 32k-point FFT, unless otherwise noted. Note that after reset, the device is in 0dB gain mode



TYPICAL CHARACTERISTICS: CONTOUR (continued)

At +25°C, AVDD = 1.8V, AVDD_3V = 3.3V, DRVDD = 1.8V, maximum rated sampling frequency, sine wave input clock, 1.5VPP differential clock amplitude, 50% clock duty cycle, -1dBFS differential analog input, low-latency mode, DDR LVDS output interface, and 32k-point FFT, unless otherwise noted. Note that after reset, the device is in 0dB gain mode

SNR ACROSS INPUT AND SAMPLING FREQUENCIES

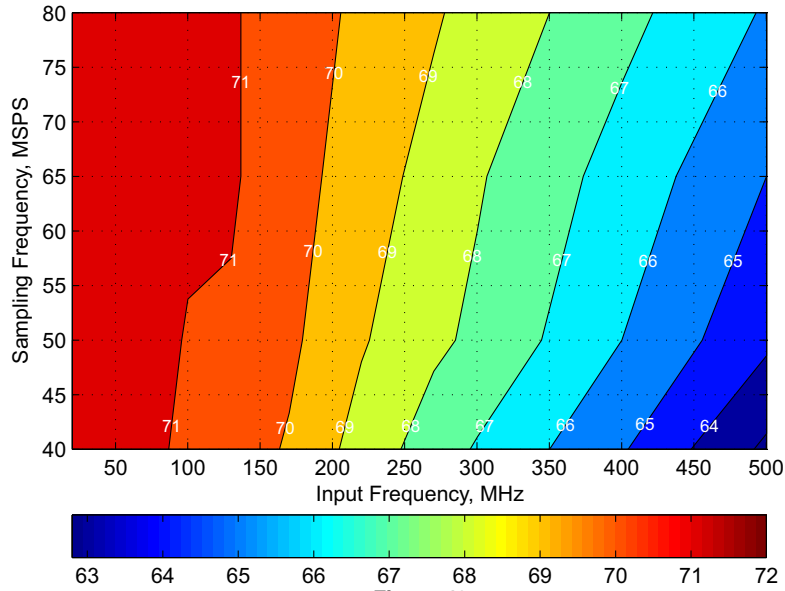


Figure 43.

SNR ACROSS INPUT AND SAMPLING FREQUENCIES with 6dB Gain

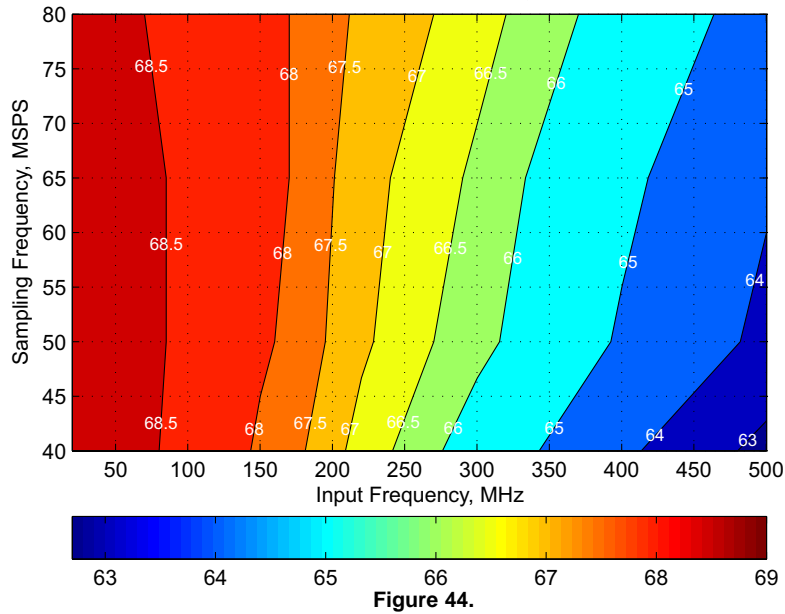


Figure 44.

APPLICATION INFORMATION

THEORY OF OPERATION

The ADS61JB23 is a family of buffered analog input and ultralow power ADCs with maximum sampling rates up to 80MSPS. The conversion process is initiated by a rising edge of the external input clock and the analog input signal is sampled. The sampled signal is sequentially converted by a series of small resolution stages, with the outputs combined in a digital correction logic block. At every clock edge the sample propagates through the pipeline, resulting in a data latency of 21 clock cycles. The output is available as 12-bit data, coded in either straight offset binary or binary twos complement format, with JESD207A interface in CML logic levels.

ANALOG INPUTS

The analog input pins have analog buffers (running off the AVDD3V supply) that internally drive the differential sampling circuit. As a result of the analog buffer, the input pins present high input impedance to the external driving source (10kΩ dc resistance and 2pF input capacitance). The buffer helps to isolate the external driving source from the switching currents of the sampling circuit. This buffering makes it easy to drive the buffered inputs compared to an ADC without the buffer.

The input common-mode is set internally using a 5kΩ resistor from each input pin to 1.95V, so the input signal can be ac-coupled to the pins. Each input pin (INP, INM) must swing symmetrically between (VCM + 0.5V) and (VCM – 0.5V), resulting in a 2V_{PP} differential input swing.

The input sampling circuit has a high 3dB bandwidth that extends up to 450 MHz (measured from the input pins to the sampled voltage). Figure 45 shows an equivalent circuit for the analog input.

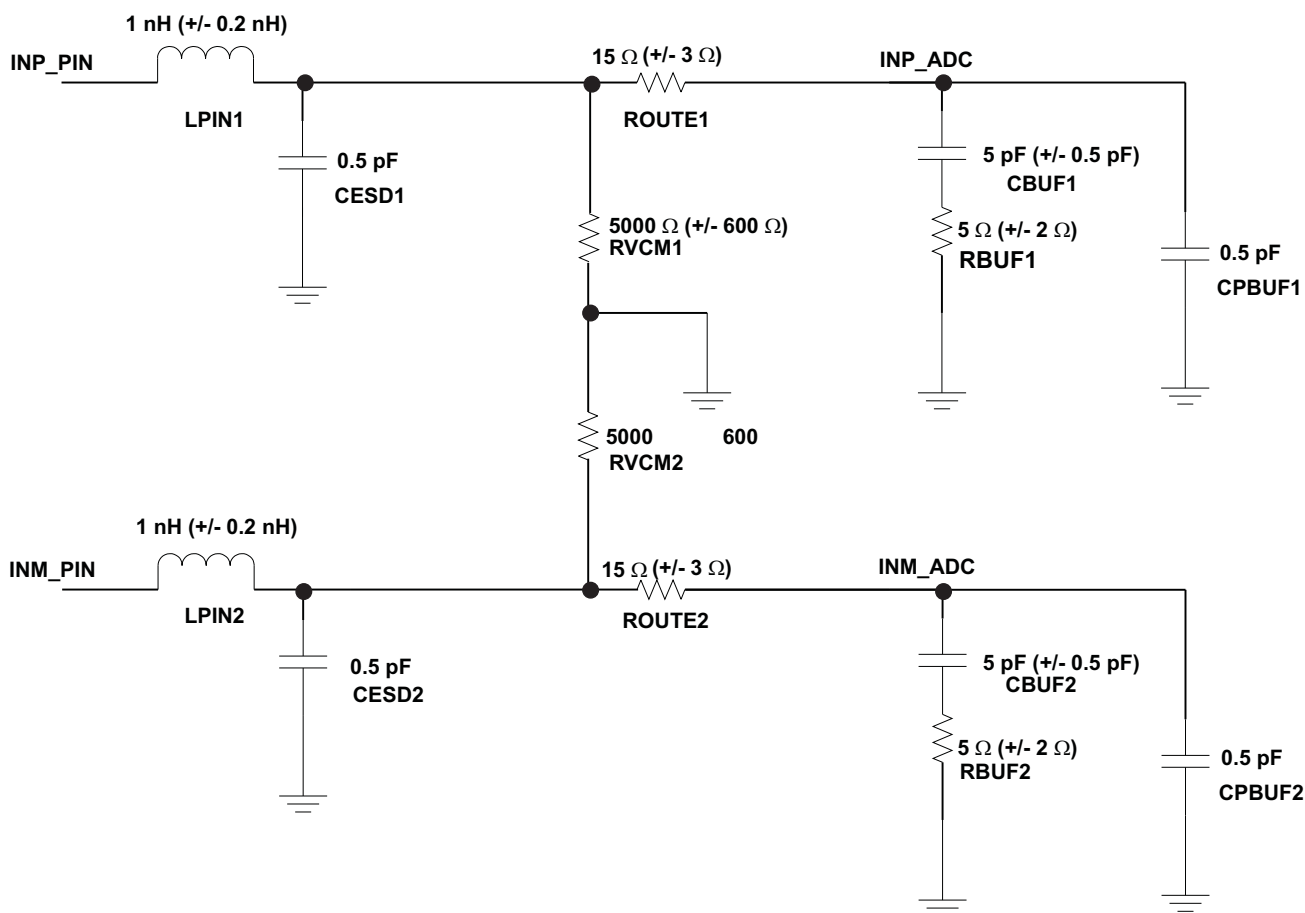
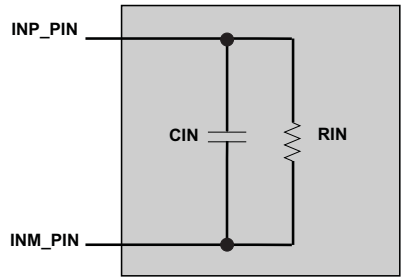


Figure 45. Equivalent Circuit

DRIVE CIRCUIT REQUIREMENTS

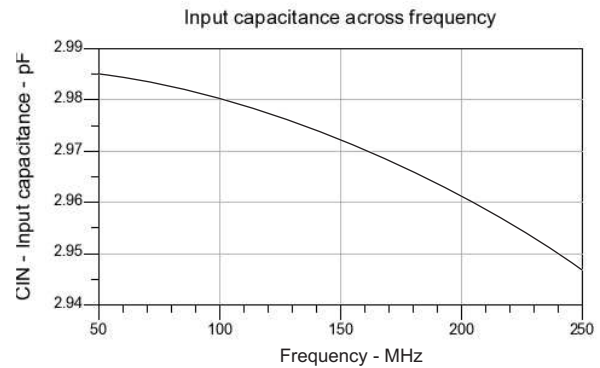
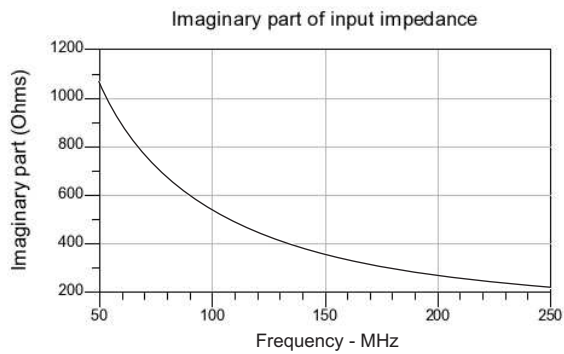
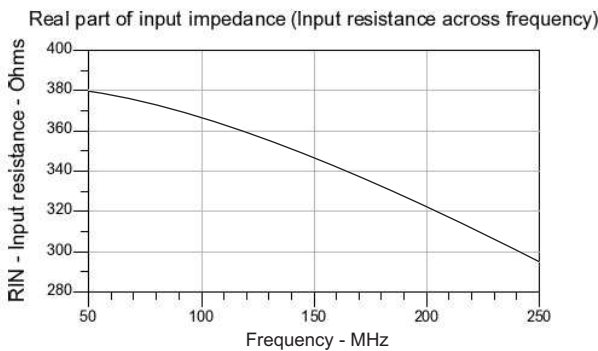
For optimum performance, the analog inputs must be driven differentially. This technique improves the common-mode noise immunity and even-order harmonic rejection. A small resistor (5Ω) in series with each input pin is recommended to damp out ringing caused by package parasitics.

and show the differential impedance ($Z_{IN} = R_{IN} \parallel C_{IN}$) seen by looking into the ADC input pins. The presence of the analog input buffer results in an almost constant input capacitance up to 1GHz.



RIN and CIN change with frequency

At frequency F :
 Real part of input impedance (input resistance) = RIN
 Imaginary part of input impedance = $1/(2 \cdot \pi \cdot F \cdot C_{IN})$
 Input capacitance = CIN



EXAMPLE DRIVING CIRCUITS

Two example driving circuit configurations are shown in Figure 46 and Figure 47—one optimized for low input frequencies and the other optimized for high input frequencies.

The presence of internal analog buffers makes the ADS61JB23 simple to drive by absorbing kick-back noise of ADC. The mismatch in the transformer parasitic capacitance (between the windings) results in degraded even-order harmonic performance. Connecting two identical RF transformers back-to-back helps minimize this mismatch and good performance is obtained in input frequency range of interest.

The drive circuit for low input frequencies (<200MHz) in Figure 46 uses two back to back connected ADT1-1 transformers terminated by 50Ω near the ADC side.

An additional termination resistor pair may be required between the two transformers to improve even order harmonic performance as shown in drive circuit for high input frequencies (>200MHz) in Figure 47. The center point of this termination is connected to ground to improve the balance between the P (positive) and M (negative) sides. The example circuit uses two back to back connected ADTL2-18 transformers with 200Ω termination between them and 100Ω at secondary of second transformer to obtain an effective 50Ω (for a 50Ω source impedance). The ac-coupling capacitors allow the analog inputs to self-bias around the required common-mode voltage.

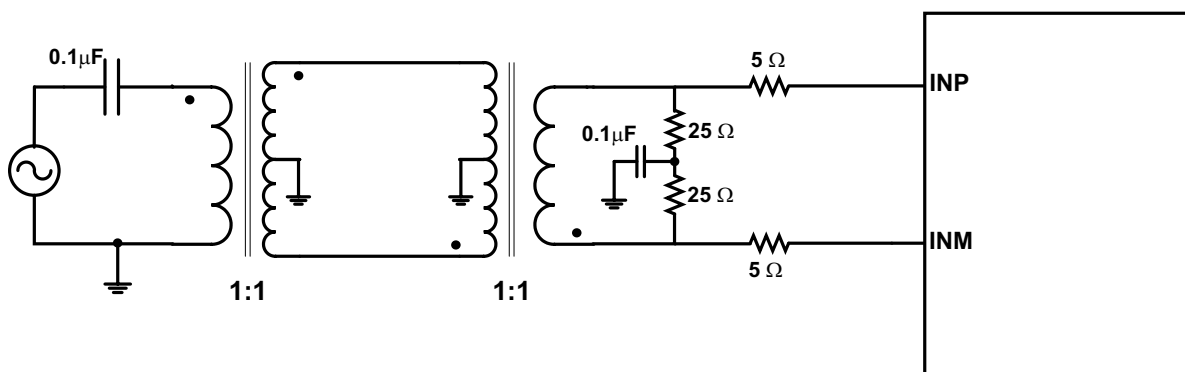


Figure 46. Drive Circuit with Low Bandwidth (for Low Input Frequencies)

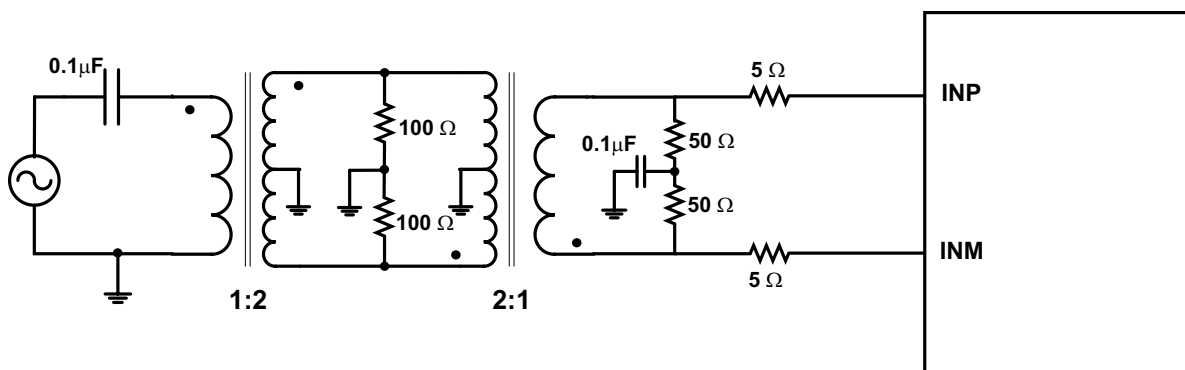
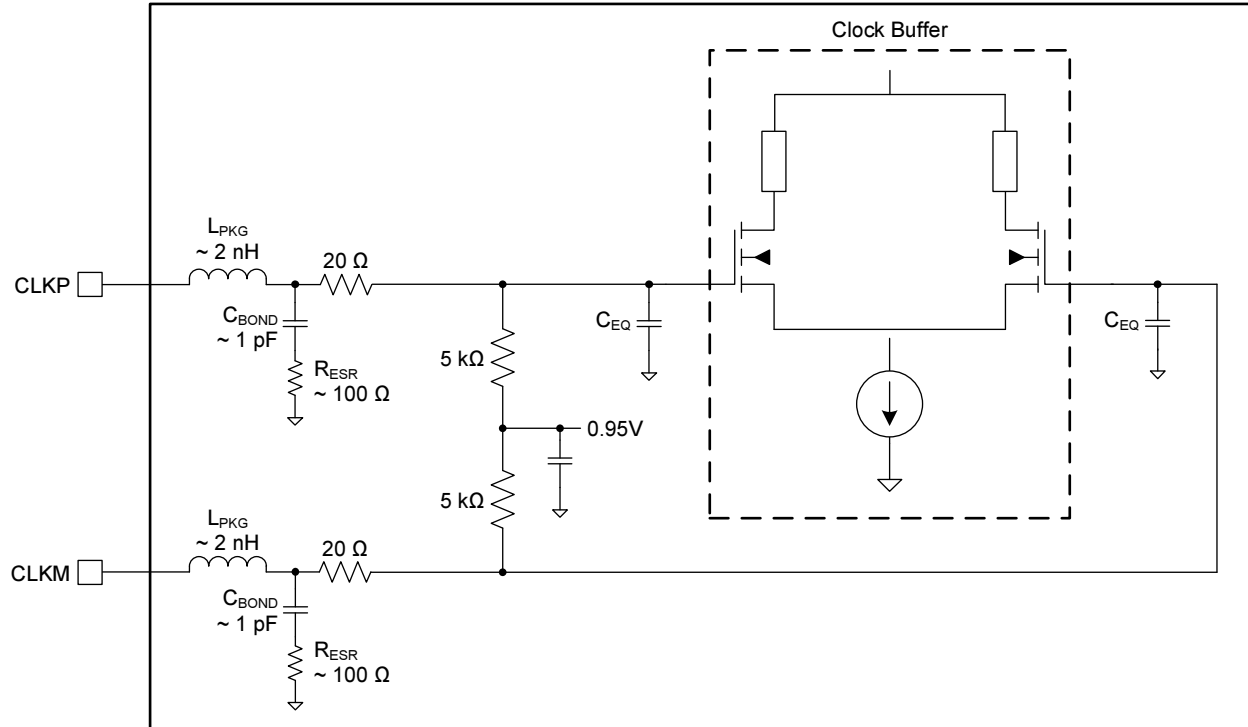


Figure 47. Drive Circuit with High Bandwidth (for High Input Frequencies)

CLOCK INPUT

The ADS61JB23 clock inputs can be driven differentially by sine, LVPECL, or LVDS source with little or no difference in performance between them. The common-mode voltage of the clock inputs is set to 0.95V using internal 5kΩ resistors as shown in Figure 48. This setting allows the use of transformer-coupled drive circuits for sine-wave clock or ac-coupling for LVPECL and LVDS clock sources (see Figure 49, Figure 50, and Figure 51).



Note: C_{EQ} is 1pF to 3pF and is the equivalent input capacitance of the clock buffer.

Figure 48. Internal Clock Buffer

For best performance, the clock inputs must be driven differentially, thereby reducing susceptibility to common-mode noise. It is recommended to keep differential voltage between clock inputs less than 1.8VPP to get best performance. For high input frequency sampling, it is recommended to use a clock source with very low jitter. Band-pass filtering of the clock source can help reduce the effects of jitter. There is no change in performance with a non-50% duty cycle clock input.

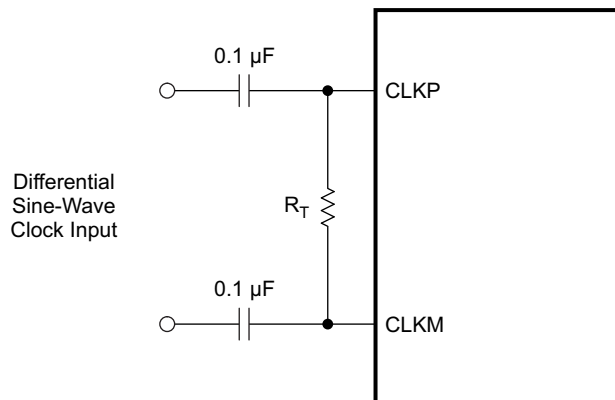


Figure 49. Differential Sine-Wave Clock Driving Circuit

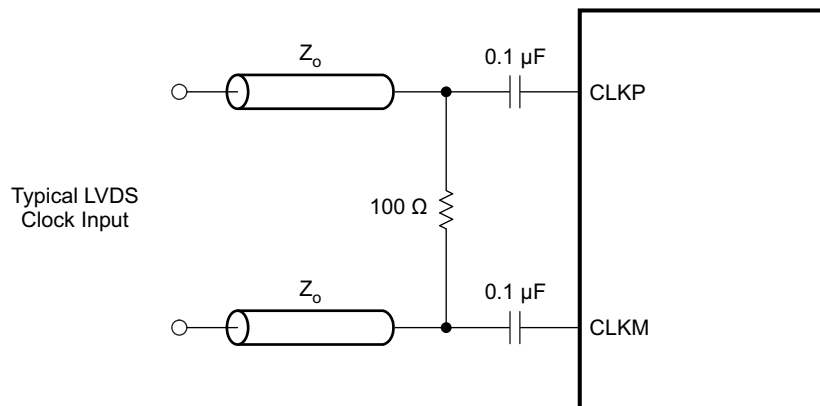


Figure 50. LVDS Clock Driving Circuit

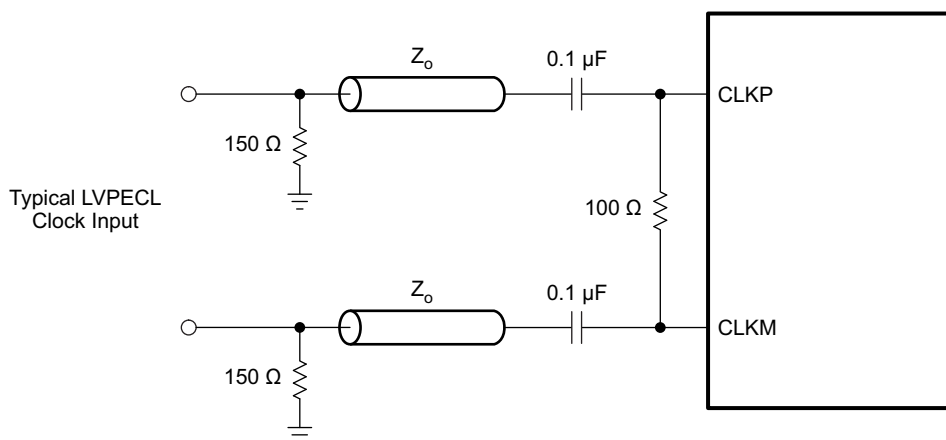


Figure 51. LVPECL Clock Driving Circuit

FINE GAIN CONTROL

The ADS61JB23 includes gain settings that can be used to get improved SFDR performance (compared to no gain). The gain is programmable from 0dB to 6dB (in 0.5dB steps). For each gain setting, the analog input full-scale range scales proportionally, as shown in [Table 9](#).

The SFDR improvement is achieved at the expense of SNR; for each gain setting, the SNR degrades about 0.5dB. The SNR degradation is less at high input frequencies. As a result, the fine gain is very useful at high input frequencies as the SFDR improvement is significant with marginal degradation in SNR.

So, the fine gain can be used to trade-off between SFDR and SNR. Note that the default gain after reset is 0dB.

Table 9. Full-scale Range Across Gains

FINE_GAIN<3:0>	GAIN, dB	TYPE	FULL-SCALE, Vpp
0000	0	Fine gain, programmable Default after reset	2.00
0001	0.5		1.89
0010	1		1.78
0011	1.5		1.68
0100	2		1.59
0101	2.5		1.5
0110	3		1.42
0111	3.5		1.34
1000	4		1.26
1001	4.5		1.19
1010	5		1.12
1011	5.5		1.06
1100	6		1.00
1101	Do not use		
1110	Do not use		
1111	Do not use		

SIGNAL POWER ESTIMATION

The ADS61JB23 includes a power estimation circuit that can be used to obtain a coarse power estimate (accurate to within a dB) of the input signal averaged over a programmable number of samples. The power estimate can be made available on pins DETECT<3:0> by enabling the bit EN_PWR_EST. The states of bits DETECT<3:0> maps to the input signal power is shown in [Table 10](#).

Table 10. State of DETECT<3:0> Versus Input Signal Power

INPUT SIGNAL POWER RANGE IN dBfs	DETECT<3:0>	INPUT SIGNAL POWER RANGE IN dBfs	DETECT<3:0>
–Inf to –12.5	0001	–6.5 to –5.5	1000
–12.5 to –11.5	0010	–5.5 to –4.5	1001
–11.5 to –10.5	0011	–4.5 to –3.5	1010
–10.5 to –9.5	0100	–3.5 to –2.5	1011
–9.5 to –8.5	0101	–2.5 to –1.5	1100
–8.5 to –7.5	0110	–1.5 to 0	1101
–7.5 to –6.5	0111	0 to +1	1110

The number of samples used for computing the average power is set by SAMPLES_PWR_EST<2:0> as shown in [Table 11](#).

Table 11. Number of Samples Used for Power Estimation

SAMPLES_PWR_EST<2:0>	NUMBER OF SAMPLES
000	1K
001	2K
010	4K
011	8K
100	16K

DEFINITION OF SPECIFICATIONS

Analog Bandwidth – The analog input frequency at which the power of the fundamental is reduced by 3 dB with respect to the low frequency value.

Aperture Delay – The delay in time between the rising edge of the input sampling clock and the actual time at which the sampling occurs. This delay will be different across channels. The maximum variation is specified as aperture delay variation (channel-channel).

Aperture Uncertainty (Jitter) – The sample-to-sample variation in aperture delay.

Clock Pulse Width/Duty Cycle – The duty cycle of a clock signal is the ratio of the time the clock signal remains at a logic high (clock pulse width) to the period of the clock signal. Duty cycle is typically expressed as a percentage. A perfect differential sine-wave clock results in a 50% duty cycle.

Maximum Conversion Rate – The maximum sampling rate at which certified operation is given. All parametric testing is performed at this sampling rate unless otherwise noted.

Minimum Conversion Rate – The minimum sampling rate at which the ADC functions.

Differential Nonlinearity (DNL) – An ideal ADC exhibits code transitions at analog input values spaced exactly 1 LSB apart. The DNL is the deviation of any single step from this ideal value, measured in units of LSBs.

Integral Nonlinearity (INL) – The INL is the deviation of the ADC's transfer function from a best fit line determined by a least squares curve fit of that transfer function, measured in units of LSBs.

Gain Error – Gain error is the deviation of the ADC's actual input full-scale range from its ideal value. The gain error is given as a percentage of the ideal input full-scale range. Gain error has two components: error due to reference inaccuracy and error due to the channel. Both these errors are specified independently as E_{GREF} and E_{GCHAN} .

To a first order approximation, the total gain error will be $E_{TOTAL} \sim E_{GREF} + E_{GCHAN}$.

For example, if $E_{TOTAL} = \pm 0.5\%$, the full-scale input varies from $(1 - 0.5/100) \times FS_{ideal}$ to $(1 + 0.5/100) \times FS_{ideal}$.

Offset Error – The offset error is the difference, given in number of LSBs, between the ADC's actual average idle channel output code and the ideal average idle channel output code. This quantity is often mapped into mV.

Temperature Drift – The temperature drift coefficient (with respect to gain error and offset error) specifies the change per degree Celsius of the parameter from T_{MIN} to T_{MAX} . It is calculated by dividing the maximum deviation of the parameter across the T_{MIN} to T_{MAX} range by the difference $T_{MAX} - T_{MIN}$.

Signal-to-Noise Ratio – SNR is the ratio of the power of the fundamental (PS) to the noise floor power (PN), excluding the power at DC and the first nine harmonics.

$$SNR = 10 \log_{10} \frac{P_S}{P_N} \quad (1)$$

SNR is either given in units of dBc (dB to carrier) when the absolute power of the fundamental is used as the reference, or dBFS (dB to full scale) when the power of the fundamental is extrapolated to the converter's full-scale range.

Signal-to-Noise and Distortion (SINAD) – SINAD is the ratio of the power of the fundamental (P_S) to the power of all the other spectral components including noise (P_N) and distortion (P_D), but excluding dc.

$$SINAD = 10 \log_{10} \frac{P_S}{P_N + P_D} \quad (2)$$

SINAD is either given in units of dBc (dB to carrier) when the absolute power of the fundamental is used as the reference, or dBFS (dB to full scale) when the power of the fundamental is extrapolated to the converter's full-scale range.

Effective Number of Bits (ENOB) – The ENOB is a measure of the converter performance as compared to the theoretical limit based on quantization noise.

$$\text{ENOB} = \frac{\text{SINAD} - 1.76}{6.02} \quad (3)$$

Total Harmonic Distortion (THD) – THD is the ratio of the power of the fundamental (P_S) to the power of the first nine harmonics (P_D).

$$\text{THD} = 10\text{Log}^{10} \frac{P_S}{P_N} \quad (4)$$

THD is typically given in units of dBc (dB to carrier).

Spurious-Free Dynamic Range (SFDR) – The ratio of the power of the fundamental to the highest other spectral component (either spur or harmonic). SFDR is typically given in units of dBc (dB to carrier).

Two-Tone Intermodulation Distortion – IMD3 is the ratio of the power of the fundamental (at frequencies f_1 and f_2) to the power of the worst spectral component at either frequency $2f_1 - f_2$ or $2f_2 - f_1$. IMD3 is either given in units of dBc (dB to carrier) when the absolute power of the fundamental is used as the reference, or dBFS (dB to full scale) when the power of the fundamental is extrapolated to the converter's full-scale range.

DC Power Supply Rejection Ratio (DC PSRR) – The DC PSRR is the ratio of the change in offset error to a change in analog supply voltage. The DC PSRR is typically given in units of mV/V.

AC Power Supply Rejection Ratio (AC PSRR) – AC PSRR is the measure of rejection of variations in the supply voltage by the ADC. If ΔV_{SUP} is the change in supply voltage and ΔV_{OUT} is the resultant change of the ADC output code (referred to the input), then

$$\text{PSRR} = 20\text{Log}^{10} \frac{\Delta V_{OUT}}{\Delta V_{SUP}} \quad (\text{Expressed in dBc}) \quad (5)$$

Voltage Overload Recovery – The number of clock cycles taken to recover to less than 1% error after an overload on the analog inputs. This is tested by separately applying a sine wave signal with 6dB positive and negative overload. The deviation of the first few samples after the overload (from their expected values) is noted.

Common Mode Rejection Ratio (CMRR) – CMRR is the measure of rejection of variation in the analog input common-mode by the ADC. If ΔV_{cm_in} is the change in the common-mode voltage of the input pins and ΔV_{OUT} is the resultant change of the ADC output code (referred to the input), then

$$\text{CMRR} = 20\text{Log}^{10} \frac{\Delta V_{OUT}}{\Delta V_{CM}} \quad (\text{Expressed in dBc}) \quad (6)$$

Cross-Talk (only for multi-channel ADC) – This is a measure of the internal coupling of a signal from adjacent channel into the channel of interest. It is specified separately for coupling from the immediate neighboring channel (near-channel) and for coupling from channel across the package (far-channel). It is usually measured by applying a full-scale signal in the adjacent channel. Cross-talk is the ratio of the power of the coupling signal (as measured at the output of the channel of interest) to the power of the signal applied at the adjacent channel input. It is typically expressed in dBc.

PACKAGING INFORMATION

Orderable Device	Status (1)	Package Type	Package Drawing	Pins	Package Qty	Eco Plan (2)	Lead/Ball Finish (6)	MSL Peak Temp (3)	Op Temp (°C)	Device Marking (4/5)	Samples
ADS61JB23IRHAR	ACTIVE	VQFN	RHA	40	2500	Green (RoHS & no Sb/Br)	CU NIPDAUAG	Level-3-260C-168 HR	-40 to 85	61JB23	Samples
ADS61JB23IRHAT	ACTIVE	VQFN	RHA	40	250	Green (RoHS & no Sb/Br)	CU NIPDAUAG	Level-3-260C-168 HR	-40 to 85	61JB23	Samples

(1) The marketing status values are defined as follows:

ACTIVE: Product device recommended for new designs.

LIFEBUY: TI has announced that the device will be discontinued, and a lifetime-buy period is in effect.

NRND: Not recommended for new designs. Device is in production to support existing customers, but TI does not recommend using this part in a new design.

PREVIEW: Device has been announced but is not in production. Samples may or may not be available.

OBSELETE: TI has discontinued the production of the device.

(2) Eco Plan - The planned eco-friendly classification: Pb-Free (RoHS), Pb-Free (RoHS Exempt), or Green (RoHS & no Sb/Br) - please check <http://www.ti.com/productcontent> for the latest availability information and additional product content details.

TBD: The Pb-Free/Green conversion plan has not been defined.

Pb-Free (RoHS): TI's terms "Lead-Free" or "Pb-Free" mean semiconductor products that are compatible with the current RoHS requirements for all 6 substances, including the requirement that lead not exceed 0.1% by weight in homogeneous materials. Where designed to be soldered at high temperatures, TI Pb-Free products are suitable for use in specified lead-free processes.

Pb-Free (RoHS Exempt): This component has a RoHS exemption for either 1) lead-based flip-chip solder bumps used between the die and package, or 2) lead-based die adhesive used between the die and leadframe. The component is otherwise considered Pb-Free (RoHS compatible) as defined above.

Green (RoHS & no Sb/Br): TI defines "Green" to mean Pb-Free (RoHS compatible), and free of Bromine (Br) and Antimony (Sb) based flame retardants (Br or Sb do not exceed 0.1% by weight in homogeneous material)

(3) MSL, Peak Temp. - The Moisture Sensitivity Level rating according to the JEDEC industry standard classifications, and peak solder temperature.

(4) There may be additional marking, which relates to the logo, the lot trace code information, or the environmental category on the device.

(5) Multiple Device Markings will be inside parentheses. Only one Device Marking contained in parentheses and separated by a "~" will appear on a device. If a line is indented then it is a continuation of the previous line and the two combined represent the entire Device Marking for that device.

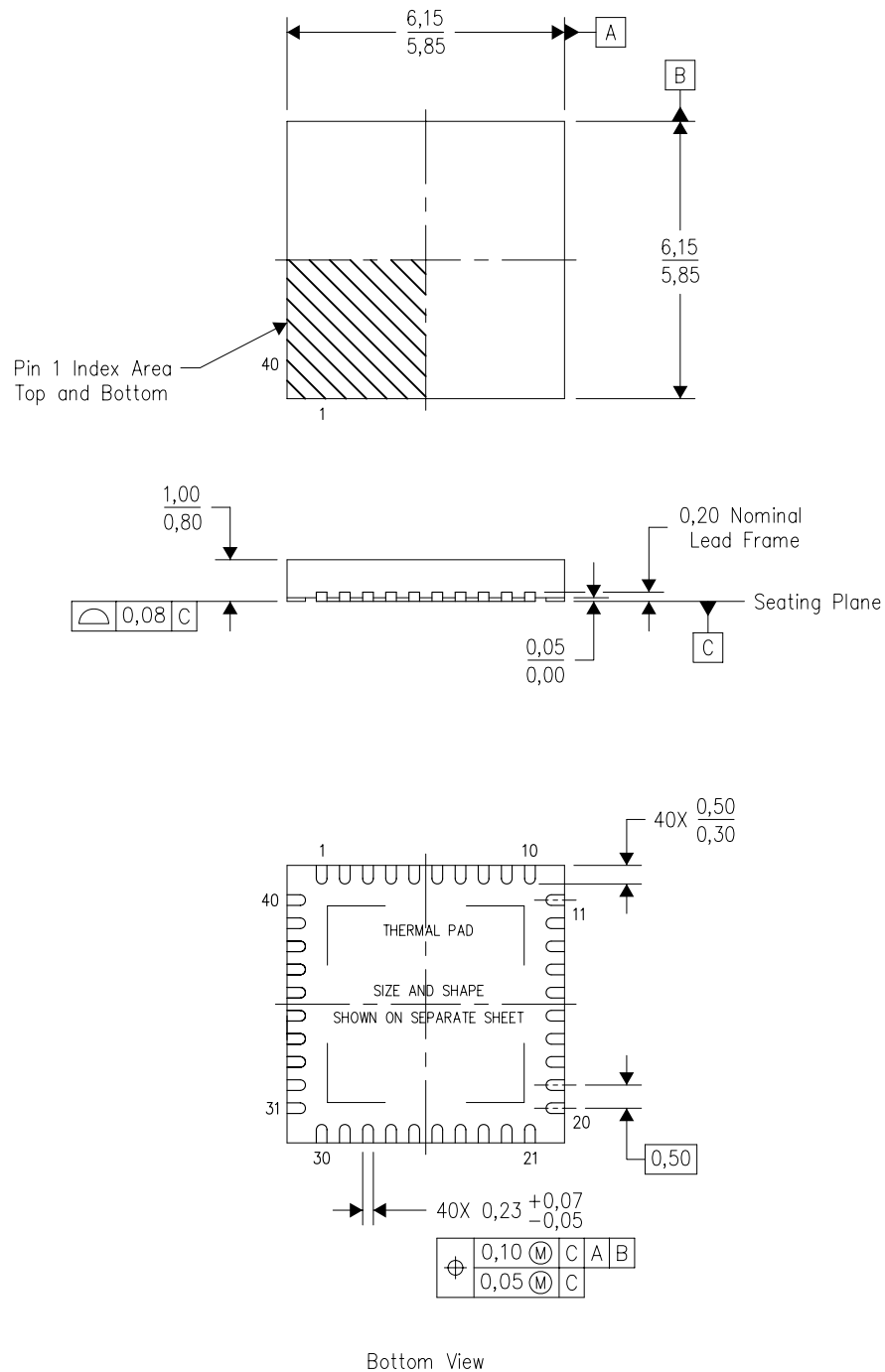
(6) Lead/Ball Finish - Orderable Devices may have multiple material finish options. Finish options are separated by a vertical ruled line. Lead/Ball Finish values may wrap to two lines if the finish value exceeds the maximum column width.

Important Information and Disclaimer: The information provided on this page represents TI's knowledge and belief as of the date that it is provided. TI bases its knowledge and belief on information provided by third parties, and makes no representation or warranty as to the accuracy of such information. Efforts are underway to better integrate information from third parties. TI has taken and continues to take reasonable steps to provide representative and accurate information but may not have conducted destructive testing or chemical analysis on incoming materials and chemicals. TI and TI suppliers consider certain information to be proprietary, and thus CAS numbers and other limited information may not be available for release.

In no event shall TI's liability arising out of such information exceed the total purchase price of the TI part(s) at issue in this document sold by TI to Customer on an annual basis.

RHA (S-PVQFN-N40)

PLASTIC QUAD FLATPACK NO-LEAD



4204276/E 06/11

- NOTES:
- All linear dimensions are in millimeters. Dimensioning and tolerancing per ASME Y14.5M-1994.
 - This drawing is subject to change without notice.
 - QFN (Quad Flatpack No-Lead) Package configuration.
 - The package thermal pad must be soldered to the board for thermal and mechanical performance.
 - See the additional figure in the Product Data Sheet for details regarding the exposed thermal pad features and dimensions.
 - Package complies to JEDEC MO-220 variation VJJD-2.

THERMAL PAD MECHANICAL DATA

RHA (S-PVQFN-N40)

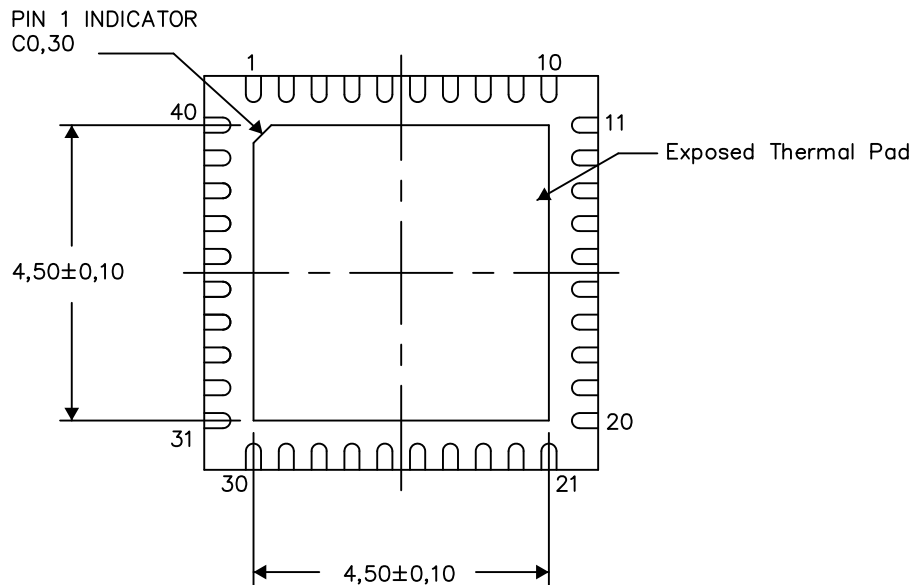
PLASTIC QUAD FLATPACK NO-LEAD

THERMAL INFORMATION

This package incorporates an exposed thermal pad that is designed to be attached directly to an external heatsink. The thermal pad must be soldered directly to the printed circuit board (PCB). After soldering, the PCB can be used as a heatsink. In addition, through the use of thermal vias, the thermal pad can be attached directly to the appropriate copper plane shown in the electrical schematic for the device, or alternatively, can be attached to a special heatsink structure designed into the PCB. This design optimizes the heat transfer from the integrated circuit (IC).

For information on the Quad Flatpack No-Lead (QFN) package and its advantages, refer to Application Report, QFN/SON PCB Attachment, Texas Instruments Literature No. SLUA271. This document is available at www.ti.com.

The exposed thermal pad dimensions for this package are shown in the following illustration.



Bottom View

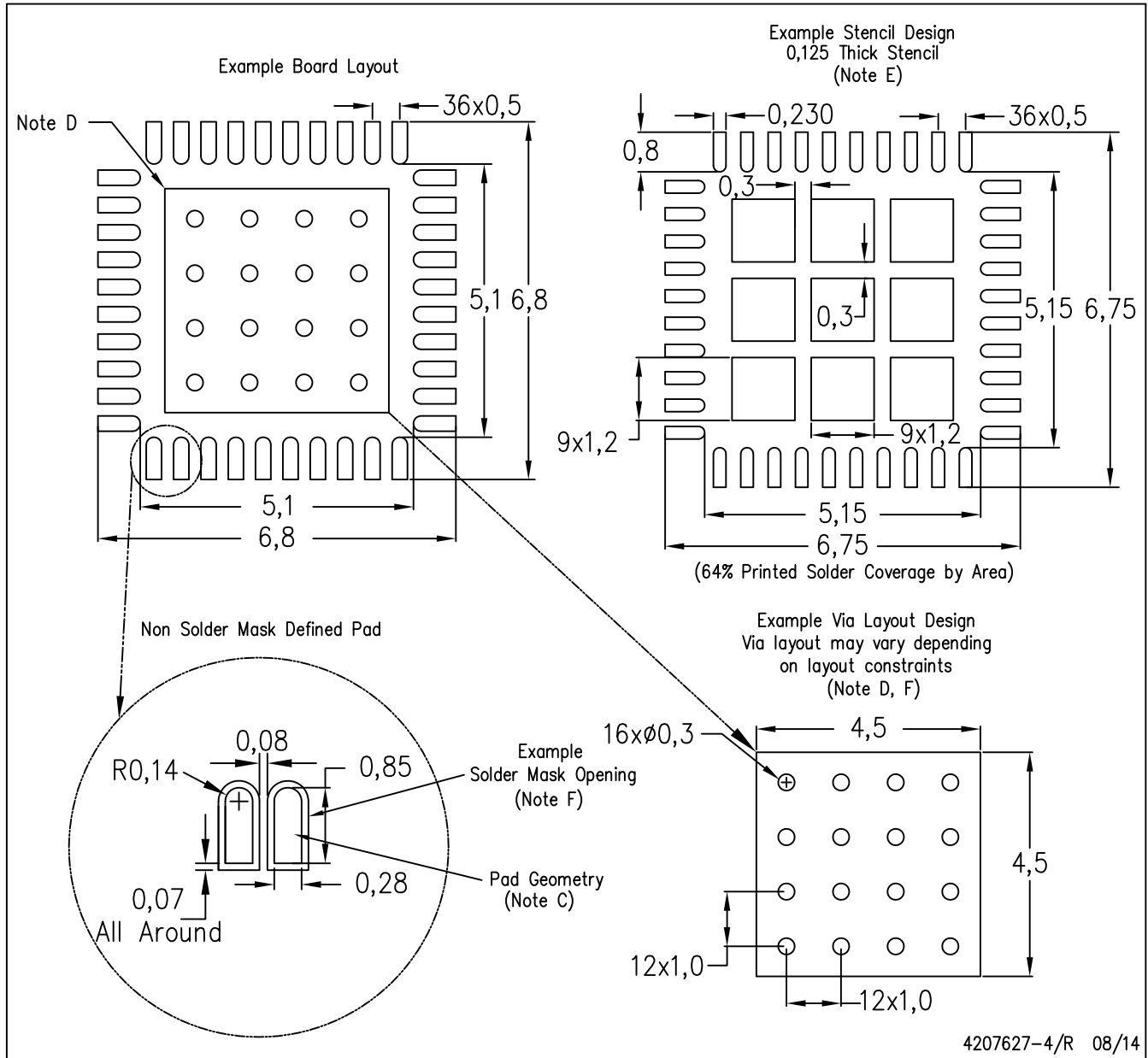
Exposed Thermal Pad Dimensions

4206355-4/X 08/14

NOTES: A. All linear dimensions are in millimeters

RHA (S-PVQFN-N40)

PLASTIC QUAD FLATPACK NO-LEAD



4207627-4/R 08/14

- NOTES:
- A. All linear dimensions are in millimeters.
 - B. This drawing is subject to change without notice.
 - C. Publication IPC-7351 is recommended for alternate designs.
 - D. This package is designed to be soldered to a thermal pad on the board. Refer to Application Note, Quad Flat-Pack Packages, Texas Instruments Literature No. SLUA271, and also the Product Data Sheets for specific thermal information, via requirements, and recommended board layout. These documents are available at www.ti.com <<http://www.ti.com>>.
 - E. Laser cutting apertures with trapezoidal walls and also rounding corners will offer better paste release. Customers should contact their board assembly site for stencil design recommendations. Refer to IPC 7525 for stencil design considerations.
 - F. Customers should contact their board fabrication site for recommended solder mask tolerances and via tenting recommendations for vias placed in the thermal pad.

重要声明

德州仪器 (TI) 公司有权按照最新发布的 JESD46 对其半导体产品和服务进行纠正、增强、改进和其他修改，并不再按最新发布的 JESD48 提供任何产品和服务。买方在下订单前应获取最新的相关信息，并验证这些信息是否完整且是最新的。

TI 公布的半导体产品销售条款 (<http://www.ti.com/sc/docs/stdterms.htm>) 适用于 TI 已认证和批准上市的已封装集成电路产品的销售。另有其他条款可能适用于其他类型 TI 产品及服务的使用或销售。

复制 TI 数据表上 TI 信息的重要部分时，不得变更该等信息，且必须随附所有相关保证、条件、限制和通知，否则不得复制。TI 对该等复制文件不承担任何责任。第三方信息可能受到其它限制条件的制约。在转售 TI 产品或服务时，如果存在对产品或服务参数的虚假陈述，则会失去相关 TI 产品或服务的明示或暗示保证，且构成不公平的、欺诈性商业行为。TI 对此类虚假陈述不承担任何责任。

买方和在系统中整合 TI 产品的其他开发人员（总称“设计人员”）理解并同意，设计人员在设计应用时应自行实施独立的分析、评价和判断，且应全权负责并确保应用的安全性，及设计人员的应用（包括应用中使用的 TI 产品）应符合所有适用的法律法规及其他相关要求。设计人员就自己设计的应用声明，其具备制订和实施下列保障措施所需的一切必要专业知识，能够 (1) 预见故障的危险后果，(2) 监视故障及其后果，以及 (3) 降低可能导致危险的故障几率并采取适当措施。设计人员同意，在使用或分发包含 TI 产品的任何应用前，将彻底测试该等应用和该等应用中所用 TI 产品的功能。

TI 提供技术、应用或其他设计建议、质量特点、可靠性数据或其他服务或信息，包括但不限于与评估模块有关的参考设计和材料（总称“TI 资源”），旨在帮助设计人员开发整合了 TI 产品的应用，如果设计人员（个人，或如果是代表公司，则为设计人员的公司）以任何方式下载、访问或使用任何特定的 TI 资源，即表示其同意仅为该等目标，按照本通知的条款使用任何特定 TI 资源。

TI 所提供的 TI 资源，并未扩大或以其他方式修改 TI 对 TI 产品的公开适用的质保及质保免责声明；也未导致 TI 承担任何额外的义务或责任。TI 有权对其 TI 资源进行纠正、增强、改进和其他修改。除特定 TI 资源的公开文档中明确列出的测试外，TI 未进行任何其他测试。

设计人员只有在开发包含该等 TI 资源所列 TI 产品的应用时，才被授权使用、复制和修改任何相关 TI 资源。但并未依据禁止反言原则或其他法理授予您任何 TI 知识产权的任何其他明示或暗示的许可，也未授予您 TI 或第三方的任何技术或知识产权的许可，该等许可包括但不限于任何专利权、版权、屏蔽作品权或与美国 TI 产品或服务的任何整合、机器制作、流程相关的其他知识产权。涉及或参考了第三方产品或服务的信息不构成使用此类产品或服务的许可或与其相关的保证或认可。使用 TI 资源可能需要您向第三方获得对该等第三方专利或其他知识产权的许可。

TI 资源系“按原样”提供。TI 兹免除对资源及其使用作出所有其他明确或默认为的保证或陈述，包括但不限于对准确性或完整性、产权保证、无屡发故障保证，以及适销性、适合特定用途和不侵犯任何第三方知识产权的任何默认保证。TI 不负责任何申索，包括但不限于因组合产品所致或与之有关的申索，也不为或对设计人员进行辩护或赔偿，即使该等产品组合已列于 TI 资源或其他地方。对因 TI 资源或其使用引起或与之有关的任何实际的、直接的、特殊的、附带的、间接的、惩罚性的、偶发的、从属或惩戒性损害赔偿，不管 TI 是否获悉可能会产生上述损害赔偿，TI 概不负责。

除 TI 已明确指出特定产品已达到特定行业标准（例如 ISO/TS 16949 和 ISO 26262）的要求外，TI 不对未达到任何该等行业标准要求而承担任何责任。

如果 TI 明确宣称产品有助于功能安全或符合行业功能安全标准，则该等产品旨在帮助客户设计和创作自己的符合相关功能安全标准和要求的的应用。在应用内使用产品的行为本身不会配有安全特性。设计人员必须确保遵守适用于其应用的相关安全要求和标准。设计人员不可将任何 TI 产品用于关乎性命的医疗设备，除非已由各方获得授权的管理人员签署专门的合同对此类应用专门作出规定。关乎性命的医疗设备是指出现故障会导致严重身体伤害或死亡的医疗设备（例如生命保障设备、心脏起搏器、心脏除颤器、人工心脏泵、神经刺激器以及植入设备）。此类设备包括但不限于，美国食品药品监督管理局认定为 III 类设备的设备，以及在美国以外的其他国家或地区认定为同等类别设备的所有医疗设备。

TI 可能明确指定某些产品具备某些特定资格（例如 Q100、军用级或增强型产品）。设计人员同意，其具备一切必要专业知识，可以为自己的应用选择适合的产品，并且正确选择产品的风险由设计人员承担。设计人员单方面负责遵守与该等选择有关的所有法律或监管要求。

设计人员同意向 TI 及其代表全额赔偿因其不遵守本通知条款和条件而引起的任何损害、费用、损失和/或责任。

邮寄地址：上海市浦东新区世纪大道 1568 号中建大厦 32 楼，邮政编码：200122
Copyright © 2017 德州仪器半导体技术（上海）有限公司