

DESCRIPTION

PMI MODEL: LM-1R2G1R4G-20-100W-SM IS A LIMITER THAT OPERATES OVER THE 1.2 TO 1.4 GHz FREQUENCY RANGE. THIS MODEL OFFERS A MAXIMUM INSERTION LOSS OF 0.6 dB WHILE HANDLING INPUT POWERS OF UP TO 100 W PEAK.

SPECIFICATIONS

- FREQUENCY RANGE: ----- 1.2 TO 1.4 GHz
- INSERTION LOSS: ----- 0.6 dB MAXIMUM
0.5 dB GOAL
- VSWR: ----- 1.4:1 MAXIMUM
1.2:1 GOAL
- INPUT POWER: ----- 100.0 W PEAK (1.2 ms PULSE WIDTH, 20% DUTY CYCLE)*
- SPIKE LEAKAGE: ----- 29 dBm MAXIMUM
- FLAT LEAKAGE: ----- 20 dBm MAXIMUM
- 3 dB RECOVERY TIME: ----- 6 μ s GOAL (WITH INPUT 10W)
- WEIGHT: ----- 1g TYPICAL
- SIZE: ----- 38.0 mm x 30.0 mm x 1.2 mm
[1.50" x 1.18" x 0.047"]
- FINISH: ----- GOLD PLATED

*TO BE TESTED @ 1.2 GHz WITH 100W PEAK POWER, 45 μ s PULSE WIDTH, & 0.3% DUTY CYCLE.

ENVIRONMENTAL RATINGS

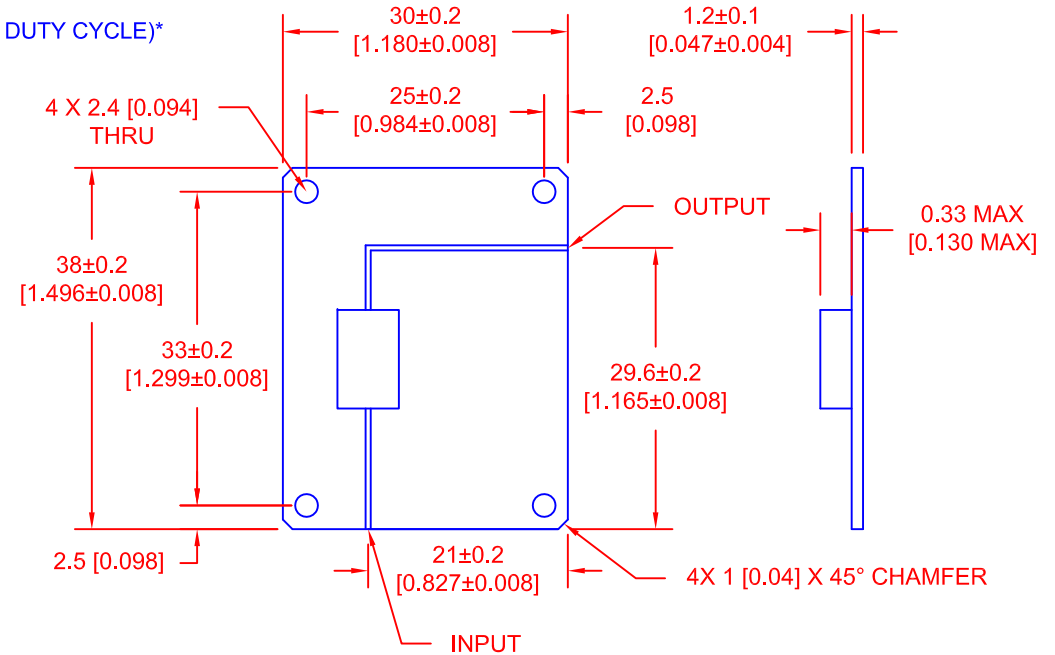
- TEMPERATURE: ----- -40 °C TO +70 °C (OPERATING @ 20% MAXIMUM DUTY CYCLE)
+70 °C TO +85 °C (OPERATING @ 10% MAXIMUM DUTY CYCLE)

NOTE: SPECIFICATIONS WILL VARY OVER OPERATING TEMPERATURE

NOTE: THE ABOVE SPECIFICATIONS ARE SUBJECT TO CHANGE OR REVISION

REVISIONS				
ZONE	REV.	DESCRIPTION	DATE	APPROVED
	-	PRELIMINARY	12/05/17	
	1	UPDATES	1/2/18	

MECHANICAL OUTLINE



PLANAR MONOLITHICS INDUSTRIES, INC.

7311-F GROVE ROAD

FREDERICK, MARYLAND 21704 USA

TEL: (301)-662-5019, FAX: (301)-662-1731

WEB: www.pmi-rf.com, EMAIL: sales@pmi-rf.com

ISO 9001 CERTIFIED



APPROVALS		DATE	TITLE			
DRAWN <i>M. Berry</i>		12/05/07	PRODUCT FEATURE LM-1R2G1R4G-20-100W-SM 1.2 to 1.4 GHz Limiter			
CHECKED			SIZE	FSCM NO.	DWG NO.	REV.
ISSUED			A	05XQ0	PRELIMINARY	1
			SCALE	N:S	SHEET	1 OF 1

PMI CONFIDENTIAL AND PROPRIETARY