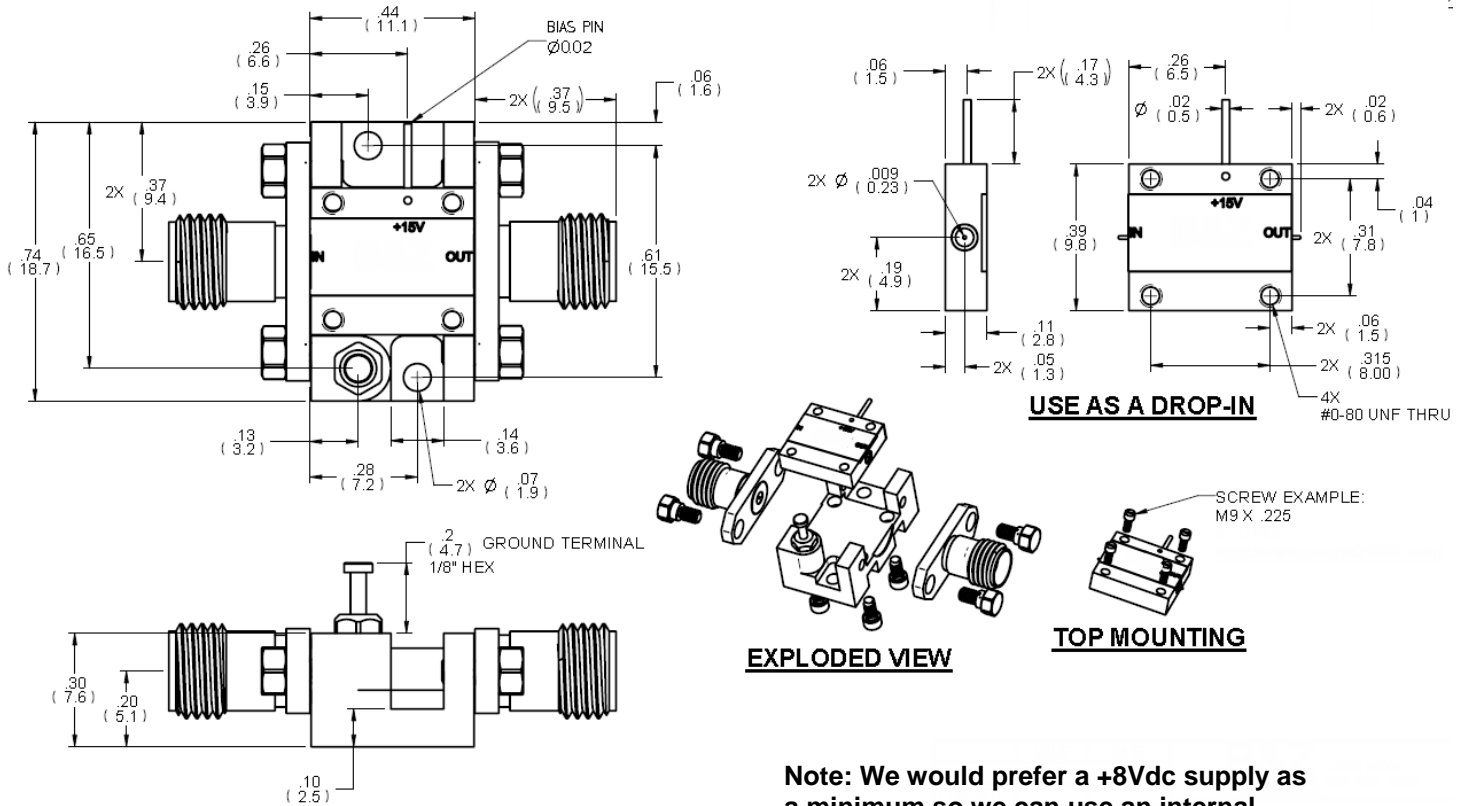


Low Power Amplifiers, 2.0-31.5GHz, Split Bands 10-27dB Gain, SMA Female Connectors, 8-15Volts



Note: We would prefer a +8Vdc supply as a minimum so we can use an internal voltage regulator.

Order Examples: RAMP-2-4-27d-Sf-12V-z10

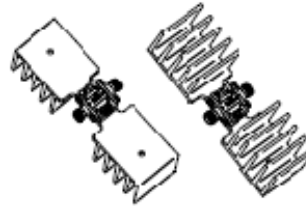
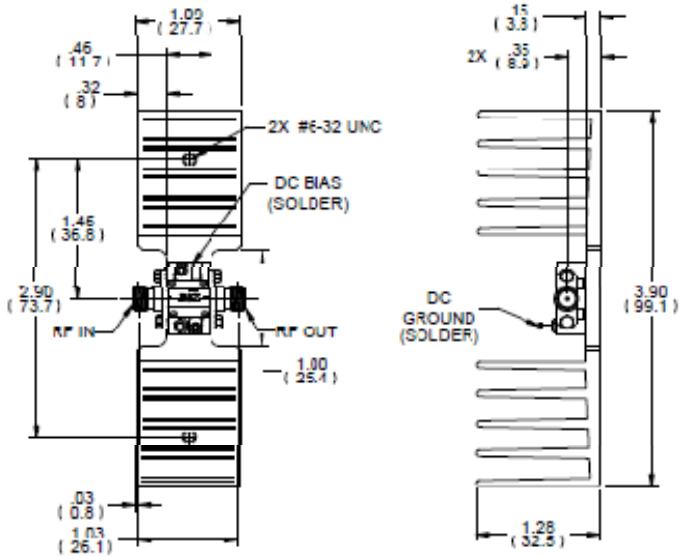
Description: (Low Power Amplifier, 10-15GHz, 11dB Gain, SMA Female Connectors, 12 Volts)

Specifications:

Frequency GHz	Noise Figure dB (max)	Pout 1dB (dBm min)	Gain dB (min)	Gain Var. (\pm dB Max)	VSWR In/Out	Connector
*2-4	6.0	27	27	1.5	2.1	SMA female
6-18	1.8	8	28	1.5	2.3	SMA or Drop in
10-15	5.0	22	11	1.0	2:1	SMA female
10-15	5.0	22	20	1.0	2:1	SMA female
10-15	5.0	27	18	1.0	2:1	SMA female
27-31.5	5.0	20	12	1.3	2:1	SMA female
27-31.5	5.0	18	10	1.3	2:1	SMA female

***Operating Voltage: +12Vdc or +15Vdc option**

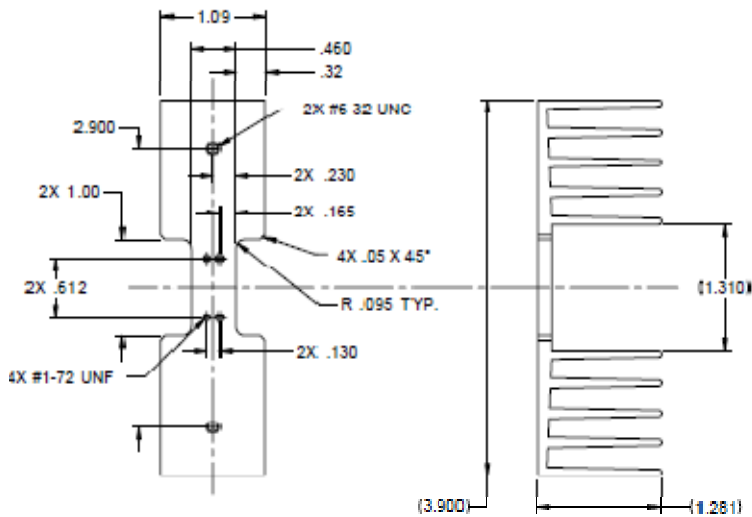
Low Power Amplifiers, 2.0-31.5GHz, Split Bands 10-27dB Gain, SMA Female Connectors, 8-15Volts



NOTES:

1. HEATSINK SURFACE AREA 35.14 SQ. INCHES
2. HEATSINK MATERIAL ALUMINUM ALLOY
3. APPROXIMATE TEMPERATURE RISE IS 6.5°C/W IN STILL AIR.

Units: Inch (mm)
Not to scale



NOTES:

1. MATERIAL: AAVID THERMALLOY PART# 60630
2. FINISH: BLACK ANODIZE

Standard Heatsink

