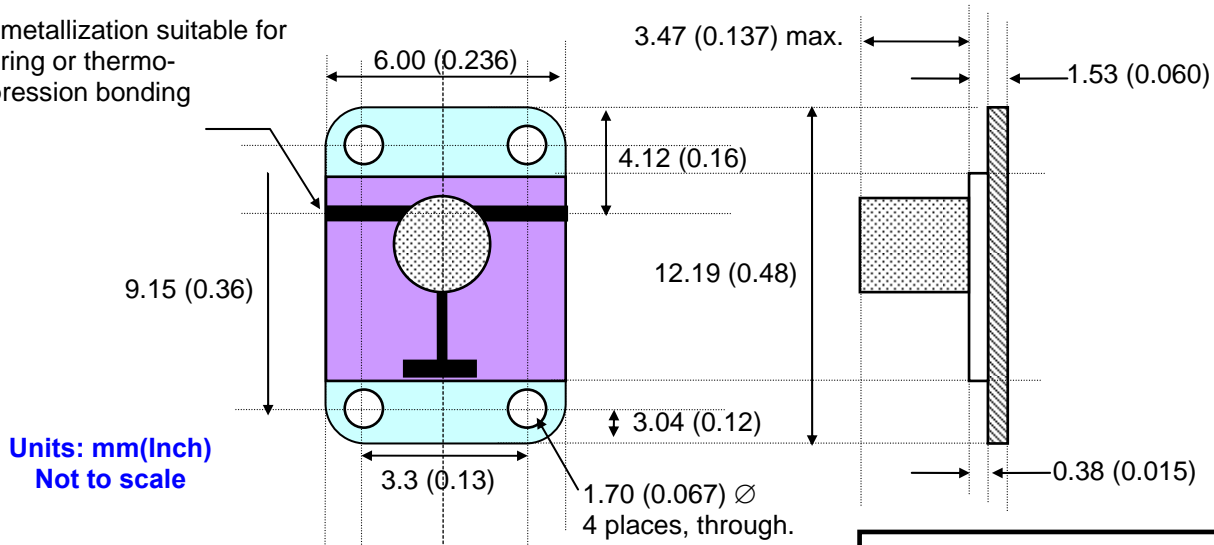


Isolator, Microstrip, 18.4 to 24.1 GHz RADI-18.4-24.1-MS-1WR

Gold metallization suitable for soldering or thermo-compression bonding



Units: mm(Inch)
Not to scale

Isolator is bonded onto a metal carrier

Direction of RF:	
R	Default ▶
L	◀

Order Examples: **RADI-18.4-24.1-MS-1WR**
I=ISOLATOR

Tolerance Table Metric (inch)

(unless otherwise stated):

- Hole diameter +/- 0.1mm, (+/- 0.004")
- Dimensions (w*l*h) +/- 0.3 mm, (+/- 0.015")
- Dimensions (Microstrip pad, Stripline Tab, +/- 0.1mm, (+/- 0.04")
- Dimensions (hole position) +/- 0.1mm, (+/- 0.04")

Machined surfaces

- Flatness 0.025/mm, (0.001/ inch)
- Bend radius 0.8mm, (0.031" or 1/32")

Specifications:	Full Band	Units
Frequency (center)	18.4 to 24.1	GHz
Insertion loss	1.3	dB (maximum)
Isolation	17	dB (minimum)
VSWR (return loss)	1.30:1	
Power rating	1 (forward and reflected)	Watts (maximum)
Operating temperature	-30 to 70	$^{\circ}$ C