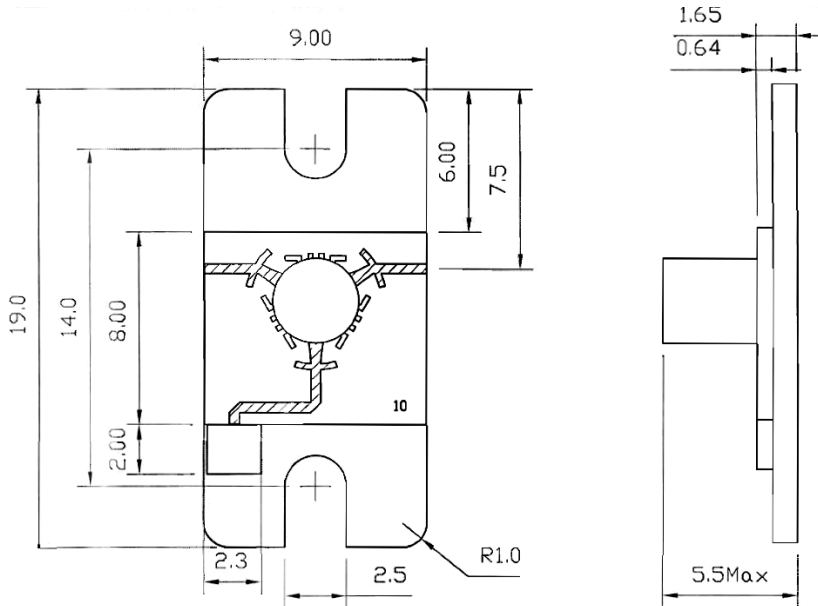


## Microstrip Isolator, Wide Band 8-12GHz, MSWB package, 2Watts Reverse/ 4Watts Forward



<p><b>Tolerance Table Metric (inch)</b> (unless otherwise stated):</p> <p>Hole diameter +/- 0.1mm, (+/- 0.004")</p> <p>Dimensions (w*h) +/- 0.3 mm, (+/- 0.015")</p> <p>Dimensions (Microstrip pad, Stripline Tab, +/- 0.1mm, (+/- 0.04")</p> <p>Dimensions (hole position) +/- 0.1mm, (+/- 0.04")</p> <p><b>Machined surfaces</b></p> <p>Flatness 0.025/mm, (0.001/ inch)</p> <p>Bend radius 0.8mm, (0.031" or 1/32")</p>
--

**Units: mm**  
**Not to scale**

Direction of RF:	
<b>R</b>	Default ▶
<b>L</b>	◀

Order Examples: **RADI-8-12-MSWB-2WR(4W Fwd)-e**  
**I=ISOLATOR**

Specifications		Units
Frequency Range	8.0-12.0	GHz
Insertion Loss	0.7	dB
Isolation	17	dB
VSWR	1.35:1	
Power Forward	4	Watts
Power Load	2	Watts
Operating Temperature Range	-30 to +85	°C
Storage Temperature	-40 to +85	°C (max)

**Notes:**

1. Clockwise Rotation
2. Mounting: do not heat above 130 °C
3. RoHS compliant
4. Load optional location and configuration determined by customer.
5. Humidity 5 to 95% non-condensing.
6. Maximum temperature during welding process: +350°C @ 25 msec.