

**DESCRIPTION:**

PFC model number 5CL720-20-CD-SFF-GDO is a Combine filter with SMA connectors in and out. All filters will be machined and silver plated to provide the highest possible Q.

REVISIONS		DATE	APPROVED
ZONE	REV.	DESCRIPTION	
	-	ORIGINAL RELEASE	9/29/05
A		UPDATE	1/19/10

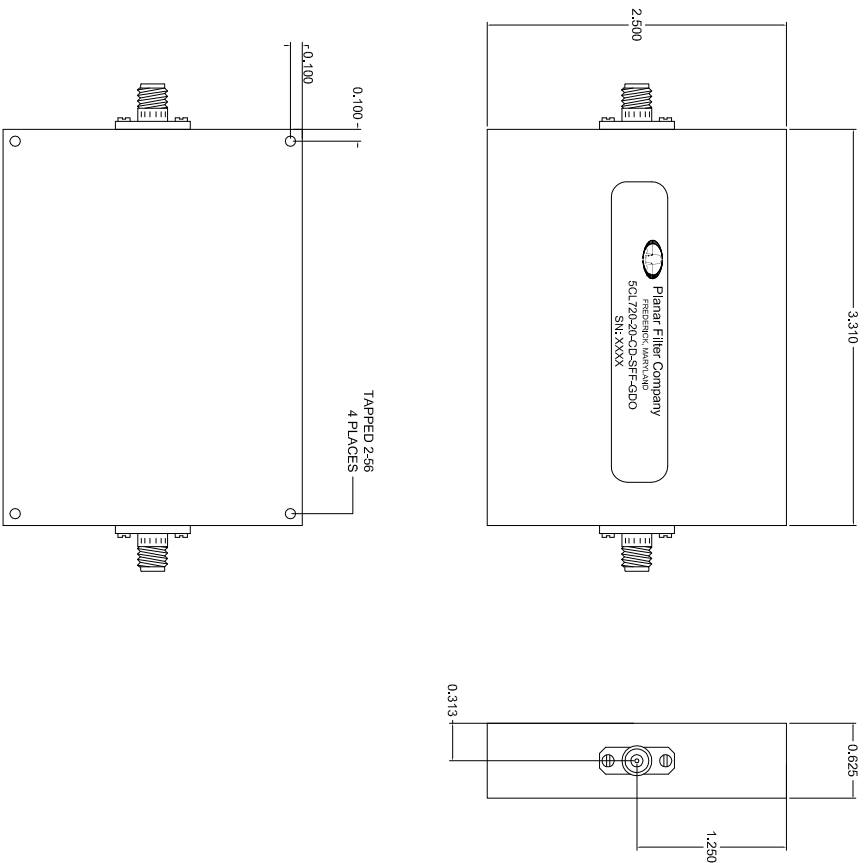
**SPECIFICATIONS:**

- CENTER FREQUENCY: 720 MHz
- 1dB BANDWIDTH: 20 MHz
- 1dB PASSBAND: 670 to 770 MHz
- VSWR IN THE PASS BAND: 1.5:1 MAX.
- INSERTION LOSS (PASSBAND): 1.0dB MAX.
- REJECTION: 60dBc @ 480 & 960 MHz
- GROUP DELAY FO.: 9.2 nSec TYP.
- Group Delay Variation Over Fo. +/-50MHz: 6.4 nSec TYP.
- PASSBAND RIPPLE: 0.25 dB MAX.
- CONNECTORS: SMA (Male/Female)
- SIZE: 6.87" (L) x 1.60" (W) x 2.00" (H)

**ENVIRONMENTAL RATINGS:**

- TEMPERATURE: -55°C TO +85°C (OPERATING)  
-65°C TO +125°C (STORAGE)
- HUMIDITY: MIL-STD-202F, METHOD 103B COND. B
- SHOCK: MIL-STD-202F, METHOD 213B COND. B
- VIBRATION: MIL-STD-202F, METHOD 204D COND. B
- ALTITUDE: MIL-STD-202F, METHOD 105C COND. B
- SALT FOG: MIL-STD-202F, METHOD 107D COND. A
- FUNGUS: MIL-STD-810C, METHOD 508.2
- TEMPERATURE CYCLE: MIL-STD-202F, METHOD 107

NOTE: THE ABOVE SPECIFICATIONS ARE SUBJECT TO CHANGE OR REVISION



ALL DIMENSIONS ARE IN INCHES  
TOLERANCES:  
XXX ±0.010  
X.XXX ±0.005

PART NO.		TITLE	
APPROVALS	DATE	Planar Filter Company 5715 Industry Lane, Unit 11, Fredrick, Maryland	
DRAWN	DATE	PRODUCT FEATURE	
CHECKED	DATE	5CL720-20-CD-SFF-GDO	
ISSUED	DATE	SIZE	DWG NO.
		A	27001371
SCALE N/S		SHEET	REV.
		1	A

**CONFIDENTIAL AND PROPRIETARY**