

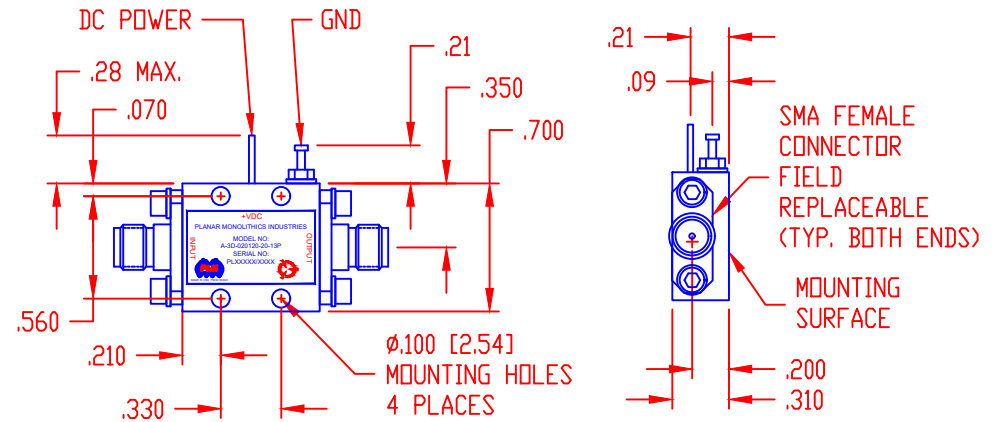
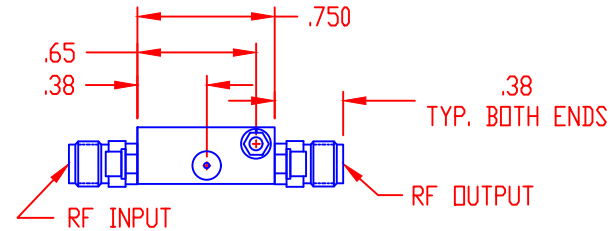
REVISIONS				
ZONE	REV.	DESCRIPTION	DATE	APPROVED
	A1	ORIGINAL RELEASE	05/07/16	<i>[Signature]</i>

DESCRIPTION:

PMI Model A-3D-020120-20-13P is an ultra wide bandwidth low noise amplifier. It is unconditionally stable over operating temperature. The amplifier is DC voltage regulated and reverse voltage polarity protected internally.

SPECIFICATIONS AT +23 °C UNLESS OTHERWISE INDICATED:

- Frequency Range: 2.0 to 12.0 GHz
- Gain: 27 dB min.
- Pass Band Flatness: ±1.5 dB max. peak to peak
- Noise Figure: 2.0 dB max.
- VSWR In: 2.0 : 1 max. (Input DC coupled)
- VSWR In: 2.5 : 1 max. (Input AC coupled)
- VSWR Out: 2.0 : 1 max.
- P1dB Out: 13.0 dBm min.
- DC Power Supply: +12 VDC @ 150 mA nominal
- Connectors (In/Out): 2.92 mm (K) female, field replaceable
- Finish: Gold plated



ENVIRONMENTAL RATINGS

- **TEMPERATURE:** -55°C TO + 85°C (OPERATING)
..... -65°C TO +125°C (STORAGE)
- **HUMIDITY:** MIL-STD-202F, METHOD 103B COND. B
- **SHOCK:** MIL-STD-202F, METHOD 213B COND. B
- **VIBRATION:** MIL-STD-202F, METHOD 204D COND. B
- **ALTITUDE:** MIL-STD-202F, METHOD 105C COND. B
- **TEMPERATURE CYCLE:** MIL-STD-202F, METHOD 107D COND. A

NOTES: 1: SPECIFICATIONS WILL VARY OVER OPERATING TEMPERATURE
2: THE ABOVE SPECIFICATIONS ARE SUBJECT TO CHANGE OR REVISION

UNLESS OTHERWISE SPECIFIED
ALL DIMENSIONS ARE IN INCHES
TOLERANCES:

X.XX ±0.01
X.XXX ±0.005

PMI CONFIDENTIAL AND PROPRIETARY

PLANAR MONOLITHICS INDUSTRIES, INC.

7311-F GROVE ROAD
FREDERICK, MARYLAND 21704 USA
TEL: 301-662-5019 FAX: 301-662-1731
WEBSITE: www.pmi-rf.com
E-MAIL: sales@pmi-rf.com
ISO 9001:2008 CERTIFIED



APPROVALS		DATE	TITLE	
<i>[Signature]</i>		05.05.16	PRODUCT FEATURE	
DRAWN			A-3D-020120-20-13P	
CHECKED		SIZE	FSCM NO.	DWG NO.
		A	05XQ0	D3-3A
ISSUED		SCALE	N:S	SHEET 1 OF 1