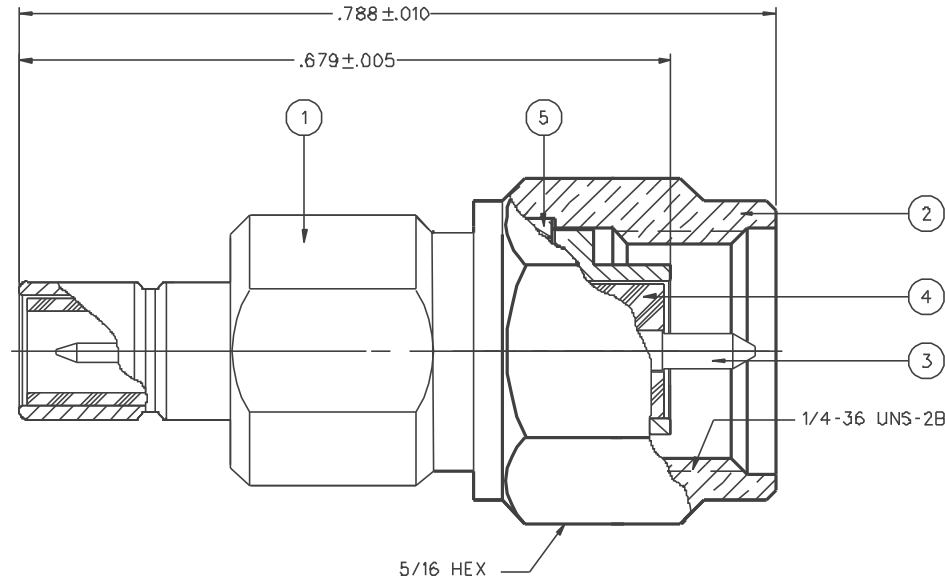
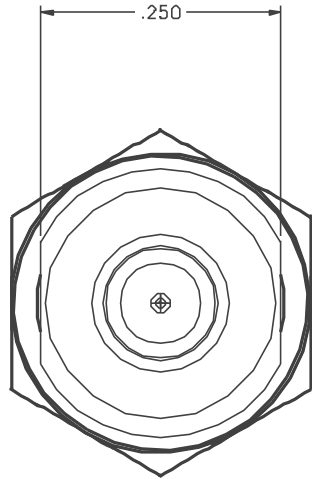


PART NUMBER	ITEM ① BODY	ITEM ② NUT	ITEM ③ CONTACT	ITEM ④ INSULATOR	ITEM ⑤ RETENTION SPRING
134-1012-011	BRASS GOLD PL .00001 MIN OVER NICKEL PL .00005 MIN OVER COPPER PL .00005 MIN	BRASS GOLD PL .00001 MIN OVER NICKEL PL .00005 MIN OVER COPPER PL .00005 MIN	BERYLLIUM COPPER GOLD PL .00005 MIN OVER NICKEL PL .00005 MIN OVER COPPER PL .00005 MIN	TEFLON	BERYLLIUM COPPER UNPLATED



DRAWING NO. C - 134-1012-011/020	
0 REVISIONS	
ENGINEERING RELEASE	
1	9-4-98 R H K A J R 10-15-98 ECN 45796
CHANGED: MECHANICAL SPECS 14 LBS WAS 4 LBS, 2 LBS WAS 0.5 LBS ADDED: SMA AND SMB DEFINITIONS TO SPECS DELETED: CONTACT RESISTANCE WITH NICKEL PLATING	
* REVISION NUMBER FOLLOWED BY AN ALPHA * * CHARACTER INDICATES DRAWING CLASS * * ACTION OR PART NUMBER ADDITION ONLY *	
to	4-30-99 R H K A J R ECN 46295

NOTES:

1. SPECIFICATIONS:

IMPEDANCE: 50 OHMS
 FREQUENCY RANGE: 0-4 GHz
 VSWR: 1.05 + .01F (F IN GHz)
 WORKING VOLTAGE: 335 VRMS MAX AT SEA LEVEL
 DIELECTRIC WITHSTANDING VOLTAGE: 1000 VRMS MIN AT SEA LEVEL
 INSULATION RESISTANCE: 1000 MEGOHM MIN
 CONTACT RESISTANCE:
 CENTER CONTACT - INITIAL 6 MILLIOHM MAX, AFTER ENVIRONMENTAL 8 MILLIOHM MAX
 OUTER CONDUCTOR - INITIAL 1 MILLIOHM MAX, AFTER ENVIRONMENTAL 1.5 MILLIOHM MAX
 BRAID TO BODY - NOT APPLICABLE

CORONA LEVEL: NOT APPLICABLE
 INSERTION LOSS: .30 dB MAX AT 1.5 GHz
 RF LEAKAGE: NOT APPLICABLE
 RF HIGH POTENTIAL WITHSTANDING VOLTAGE: 600 VRMS MIN AT 4 AND 7 MHZ

MECHANICAL:

ENGAGE/DISENGAGE FORCE (SMB): INITIAL 14 LBS MAX, AFTER DURABILITY 14 LBS
 MAX ENGAGEMENT, 2 LBS MIN DISENGAGEMENT
 MATING TORQUE (SMA): 7-10 INCH POUNDS
 COUPLING PROOF TORQUE (SMA): 15 IN-LB MIN
 COUPLING NUT RETENTION (SMA): 60 LBS MIN
 CONTACT RETENTION: 6 LBS MIN AXIAL FORCE
 CABLE ACCEPTABILITY: NOT APPLICABLE
 CABLE HEX CRIMP SIZE: NOT APPLICABLE
 CABLE RETENTION: NOT APPLICABLE
 DURABILITY: 500 CYCLES MIN

ENVIRONMENTAL:


(MEETS OR EXCEEDS THE APPLICABLE PARAGRAPH OF MIL-C-39012)
 THERMAL SHOCK: MIL-STD-202, METHOD 107, CONDITION B
 OPERATING TEMPERATURE: -65 DEG C TO 165 DEG C
 CORROSION: MIL-STD-202, METHOD 101, CONDITION B
 SHOCK: MIL-STD-202, METHOD 213, CONDITION B
 VIBRATION: MIL-STD-202, METHOD 204, CONDITION B

CUSTOMER DRAWING

THIS DRAWING TO BE INTERPRETED PER ANSI Y 14.5M - 1982

"μSTATION"

COMPANY CONFIDENTIAL

TOLERANCE UNLESS OTHERWISE SPECIFIED	DRAWN BY KAS	DATE 2-18-98	 299 Johnson Ave. P.O. Box 1732 Waseca, MN 56093-0832	
DECIMALS .XX	CHECKED BY KAS	DATE 9-11-98	TITLE ASSEMBLY, ADAPTER SMA PLUG TO SMB JACK	
.XXX -- .003	APPROVED BY TAK	DATE 9-16-98	CODE NO.	DRAWING NO. C - 134-1012-011/020
MATL	APPROVED BY RJB	DATE 9-24-98	RELEASE DATE	SCALE 10:1 U/M INCH SHEET 2 OF 2