

DESCRIPTION

PMI MODEL: LNA-25-2D7G3D3G-1D5-10-12-SFF IS A LOW NOISE AMPLIFIER OPERATING OVER THE 2.7 TO 3.3 GHz FREQUENCY RANGE. THIS MODEL OFFERS A MINIMUM GAIN OF 25 dB WHILE MAINTAINING A MAXIMUM NOISE FIGURE OF 1.5 dB. THIS COMPACT MODEL IS OUTFITTED WITH FEMALE SMA CONNECTORS.

SPECIFICATIONS

- FREQUENCY RANGE: ----- 2.7 TO 3.3 GHz
- GAIN: ----- 25 dB MINIMUM
26 dB TYPICAL
- P1dB: ----- 10 dBm MINIMUM
- IP3: ----- 35 dBm MINIMUM
- NOISE FIGURE: ----- 1.5 dB MAXIMUM
- VSWR IN/OUT ----- 2.2:1 MAXIMUM
- DC SUPPLY: ----- +12 VDC @ 230 mA TYPICAL
- CONNECTORS: ----- SMA FEMALE
- SIZE: ----- 31.75 mm x 31.75 mm x 14.30 mm
1.25" x 1.25" x 0.563"
- FINISH: ----- BLUE EPOXY POLIMIDE COATING
IAW MIL-C-22750, TYPE I OVER
EPOXY POLIMIDE PRIMER IAW
MIL-P-23377, TYPE I, CLASS 1 OR 3.

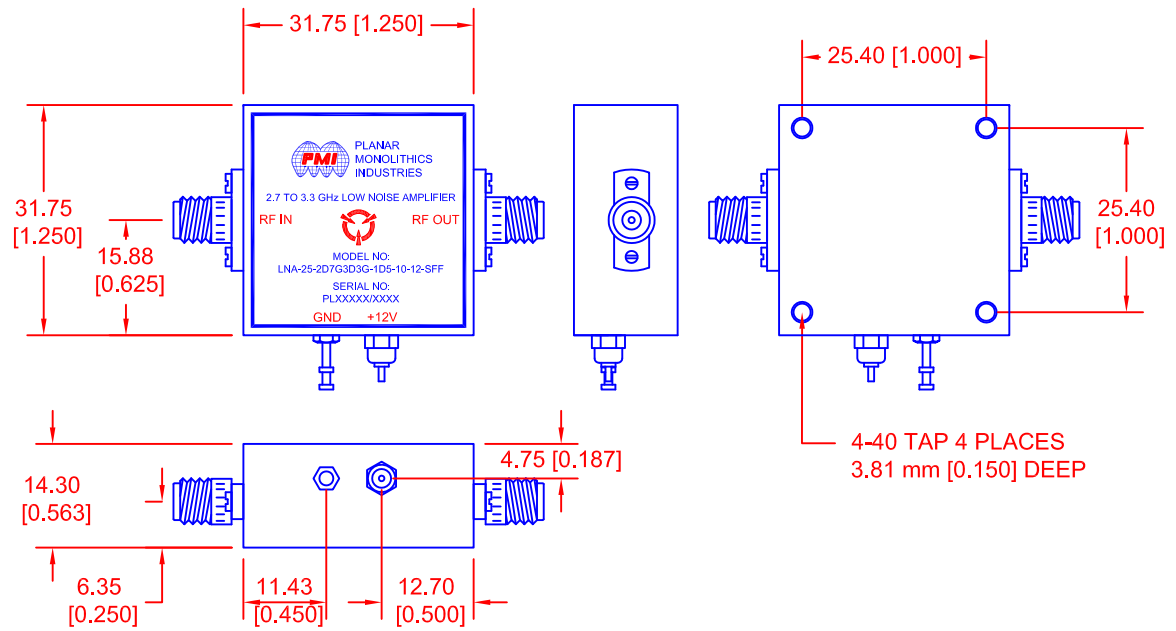
ENVIRONMENTAL RATINGS

- TEMPERATURE: ----- -55 °C TO +85 °C (OPERATING)
-65 °C TO +125 °C (STORAGE)
- HUMIDITY: ----- MIL-STD-202, METHOD 103B COND. B
- SHOCK: ----- MIL-STD-202, METHOD 213B COND. B
- VIBRATION: ----- MIL-STD-202, METHOD 204D COND. B
- ALTITUDE: ----- MIL-STD-202, METHOD 105C COND. B
- TEMPERATURE CYCLE: ----- MIL-STD-202, METHOD 107D COND. A

NOTE: SPECIFICATIONS WILL VARY OVER OPERATING TEMPERATURE

NOTE: THE ABOVE SPECIFICATIONS ARE SUBJECT TO CHANGE OR REVISION

PMI CONFIDENTIAL AND PROPRIETARY



MECHANICAL OUTLINE

REVISIONS				
ZONE	REV.	DESCRIPTION	DATE	APPROVED
	A1	ORIGINAL RELEASE	09/21/16	
	B1	ECN # 16-0163	11/09/16	

PLANAR MONOLITHICS INDUSTRIES, INC.
7311-F GROVE ROAD
FREDERICK, MARYLAND 21704 USA
TEL: (301)-662-5019, FAX: (301)-662-1731
WEB: www.pmi-rf.com, EMAIL: sales@pmi-rf.com
ISO 9001 CERTIFIED



APPROVALS		DATE	TITLE		
DRAWN <i>B. Thomas</i>		09/21/16	PRODUCT FEATURE LNA-25-2D7G3D3G-1D5-10-12-SFF 2.7 to 3.3 GHz Low Noise Amplifier		
CHECKED			SIZE A	FSCM NO. 05XQ0	DWG NO. 27030821
ISSUED					REV. B1
			SCALE N:S	SHEET 1 OF 1	

ALL DIMENSIONS
ARE IN mm [INCH]
TOLERANCES:
X.XX ± 0.508 [0.020]
X.XXX ± 0.254 [0.010]