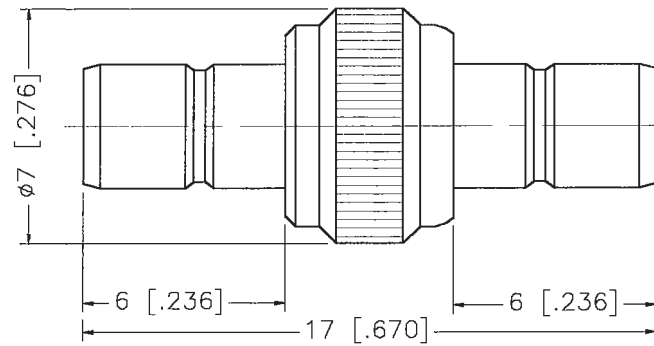



REV.	DATE	DESCRIPTION
NC	07/19/99	INITIAL RELEASE



DESCRIPTION	MATERIAL	FINISH	UNLESS OTHERWISE SPECIFIED DIMENSIONS ARE IN MILLIMETERS	APPROVALS	DATE					
1 HOUSING	BRASS	GOLD	<small>DIMENSIONS IN [] ARE IN INCHES FOR CUSTOMER REFERENCE ONLY</small> <small>UNLESS OTHERWISE SPECIFIED TOLERANCES FOR MILLIMETERS ARE:</small> 0.5--6 = ± 0.2 6--30 = ± 0.4 30--120 = ± 0.6 120--315 = ± 1 315--1000 = ± 1.6 1000--2000 = ± 2.4	DRAWN G.R.S.	07/19/99	TITLE SMB JACK TO JACK ADAPTOR				
2 INSULATOR	TEFLON	NATURAL		CHECKED						
3 CONTACT PIN	BRASS	GOLD		ISSUED			SIZE	FSCM NO.	DWG. NO.	REV.
4 BODY	BRASS	GOLD					A	99001	142244.DWG	NC
5							SCALE	NA	PART NO.	142244
6							SHEET			1 OF 1
7										
8				DO NOT SCALE DRAWING						