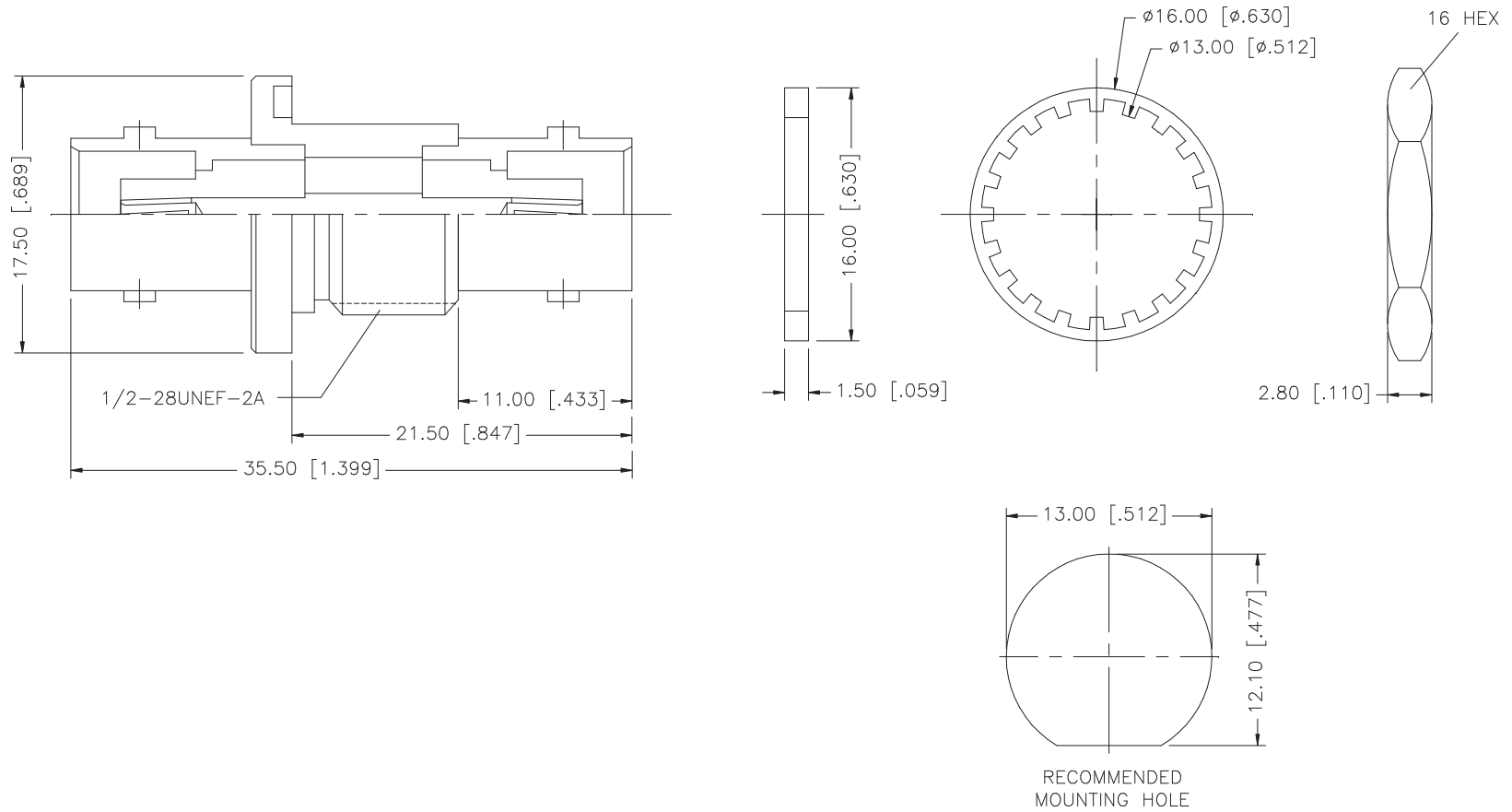


REV.	DATE	DESCRIPTION
A	11/09/03	UPDATE DRAWING FORMAT



REV.	DATE	DESCRIPTION	APPROVALS	DATE	Amphenol Connex					
A	11/09/03	UPDATE DRAWING FORMAT								
8					PART DESCRIPTION					
7									BNC FEMALE TO FEMALE BULKHEAD ADAPTER	
6	HEX NUT	BRASS	NICKEL	1	PART NO.					
5	LOCK WASHER	BRASS	NICKEL	1					112435	
4	GASKET	RUBBER	RED	1	DWG. NO.					
3	CONTACT PIN	PHOS. BRONZE	GOLD	1					112435.DWG	
2	INSULATOR	DELIN	NATURAL	1	REV. A					
1	BODY	BRASS	NICKEL	1					SIZE A	
DESCRIPTION				MATERIAL	FINISH	QTY	SCALE NA			
DO NOT SCALE DRAWING										

UNLESS OTHERWISE SPECIFIED DIMENSIONS ARE IN MILLIMETERS. DIMENSIONS IN [] ARE IN INCHES AND FOR CUSTOMER REFERENCE ONLY.

UNLESS OTHERWISE SPECIFIED TOLERANCES FOR MILLIMETERS ARE:
0.5 - 8mm ± 0.20mm
8 - 30mm ± 0.40mm
30 - 120mm ± 0.50mm

UNLESS OTHERWISE SPECIFIED TOLERANCES FOR INCHES ARE:
.020 - .315 = ± 0.007"
.315 - 1.180 = ± 0.015"
1.180 - 4.724 = ± 0.020"

APPROVALS	DATE
DRAWN G.R.S.	11/19/03
CHECKED	
ISSUED	
SHEET 1 OF 1	
CAD FILE	C:/112/112435.DWG

Amphenol Connex

PART DESCRIPTION
BNC FEMALE TO FEMALE BULKHEAD ADAPTER

PART NO.
112435

DWG. NO. 112435.DWG
REV. A
SIZE A
SCALE NA