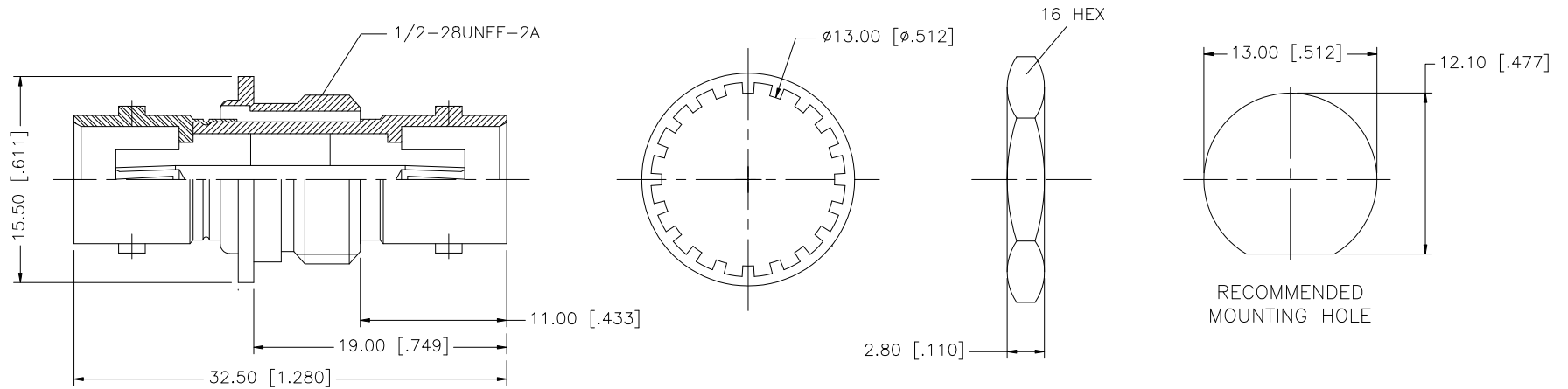


REV.	DATE	ECR NO.	DESCRIPTION
NC	06/15/98	-	INITIAL RELEASE
A	05/13/08	100015	UPDATE DRAWING FORMAT



8			
7			
6	HEX NUT	BRASS	NICKEL 1
5	LOCK WASHER	BRASS	NICKEL 1
4	INSULATOR	DELRIN	NATURAL 1
3	CONTACT PIN	PHOS. BRONZE	GOLD 1
2	INSULATOR	DELRIN	NATURAL 1
1	BODY	BRASS	NICKEL 1
DESCRIPTION	MATERIAL	FINISH	QTY

UNLESS OTHERWISE SPECIFIED DIMENSIONS ARE IN MILLIMETERS. DIMENSIONS IN [] ARE IN INCHES AND FOR CUSTOMER REFERENCE ONLY.

UNLESS OTHERWISE SPECIFIED TOLERANCES FOR MILLIMETERS ARE:
0.5 - 8mm ± 0.20mm
8 - 30mm ± 0.40mm
30 - 120mm ± 0.50mm

UNLESS OTHERWISE SPECIFIED TOLERANCES FOR INCHES ARE:
.020 - .315 = ± 0.007"
.315 - 1.180 = ± 0.015"
1.180 - 4.724 = ± 0.020"

DO NOT SCALE DRAWING

APPROVALS	DATE
DRAWN GRS	05/13/08
CHECKED	
ISSUED	
SHEET 1 OF 1	
CAD FILE	C:/112/112439.DWG

Amphenol Connex

PART DESCRIPTION				
BNC FEMALE TO FEMALE BULKHEAD ISOLATED ADAPTER				
PART NO. 112439				
DWG. NO.	112439.DWG	REV.	A	SCALE NA