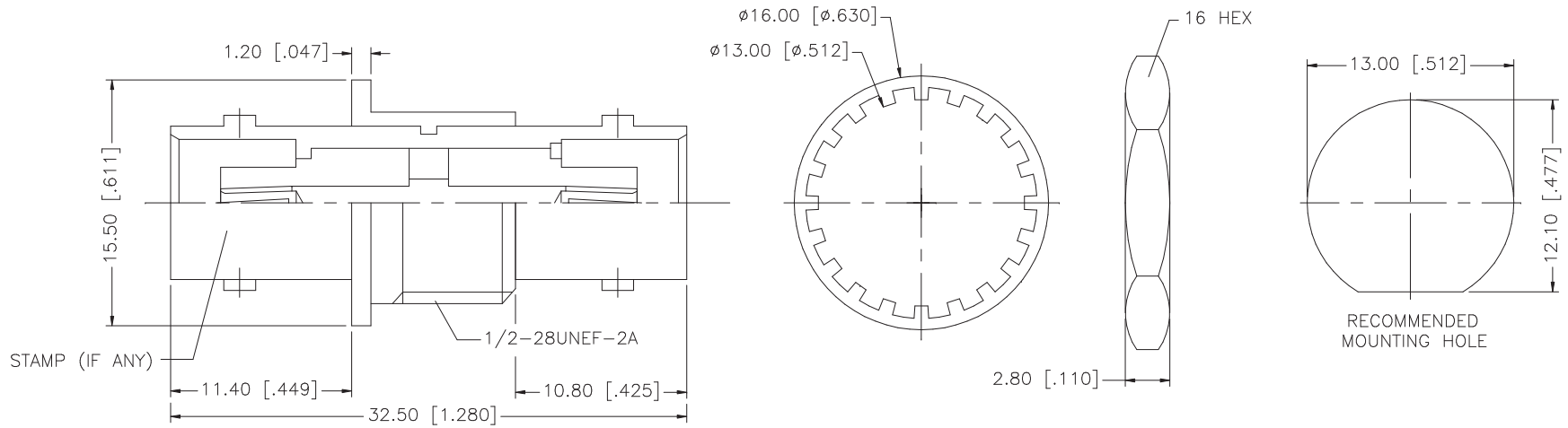


REV.	DATE	DESCRIPTION
A	04/05/03	UPDATE DRAWING FORMAT



NOTE:

1. MAX. PANEL THICKNESS = 5.5mm

					UNLESS OTHERWISE SPECIFIED DIMENSIONS ARE IN MILLIMETERS. DIMENSIONS IN [] ARE IN INCHES AND FOR CUSTOMER REFERENCE ONLY.	APPROVALS	DATE	<h1 style="text-align: center;">Amphenol Connex</h1>											
8						DRAWN	G.R.S.					04/05/03	PART DESCRIPTION BNC FEMALE TO FEMALE BULKHEAD ISOLATED ADAPTER – 50 ohm						
7	HEX NUT	BRASS	NICKEL	1	UNLESS OTHERWISE SPECIFIED TOLERANCES FOR MILLIMETERS ARE: 0.5 – 8mm ± 0.20mm 8 – 30mm ± 0.40mm 30 – 120mm ± 0.50mm UNLESS OTHERWISE SPECIFIED TOLERANCES FOR INCHES ARE: .020 – .315 = ± 0.007" .315 – 1.180 = ± 0.015" 1.180 – 4.724 = ± 0.020"	CHECKED		PART NO. 112443											
6	LOCK WASHER	BRASS	NICKEL	1		ISSUED						DWG. NO. 112443.DWG							
5	LOCK RING	BRASS	NICKEL	1	SHEET	1 OF 1	REV. A SIZE A SCALE NA												
4	CONTACT PIN	PHOS. BRONZE	GOLD	1	CAD FILE	C:/112/112443.DWG													
3	INSULATOR	DELTRIN	NATURAL	1	DO NOT SCALE DRAWING														
2	INSULATOR	DELTRIN	WHITE	1															
1	BODY	BRASS	NICKEL	1															
DESCRIPTION										MATERIAL					FINISH				