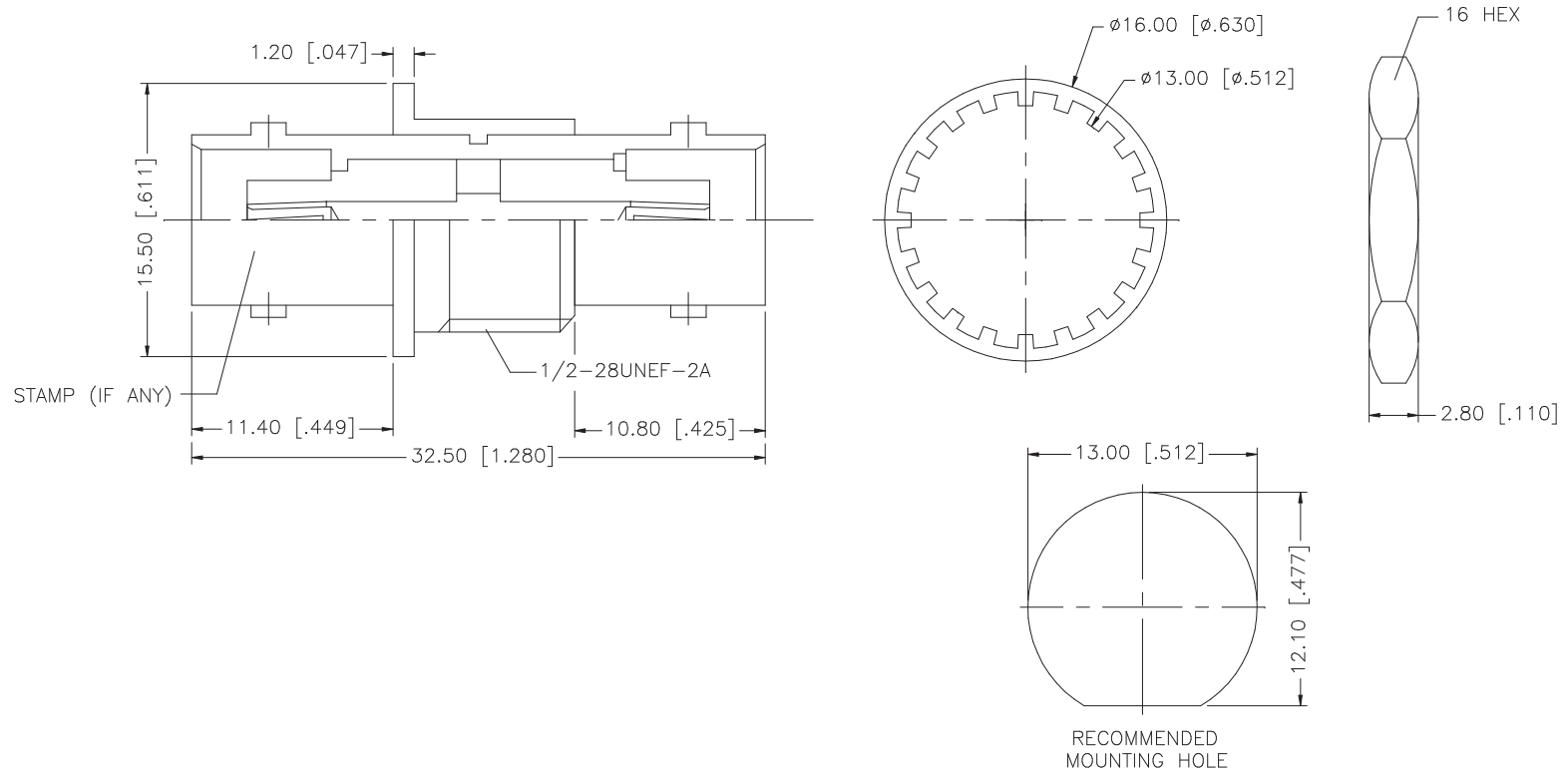


REV.	DATE	DESCRIPTION
NC	01/14/03	INITIAL RELEASE



NOTE:
1. MAX. PANEL THICKNESS = 5.5mm

QTY	DESCRIPTION	MATERIAL	FINISH	QTY	DO NOT SCALE DRAWING	CAD FILE	DWG. NO.	REV.	SIZE	SCALE		
8					<small>UNLESS OTHERWISE SPECIFIED DIMENSIONS ARE IN MILLIMETERS. DIMENSIONS IN [] ARE IN INCHES AND FOR CUSTOMER REFERENCE ONLY.</small> <small>UNLESS OTHERWISE SPECIFIED TOLERANCES FOR MILLIMETERS ARE: 0.5 - 8mm ± 0.20mm 8 - 30mm ± 0.40mm 30 - 120mm ± 0.50mm</small> <small>UNLESS OTHERWISE SPECIFIED TOLERANCES FOR INCHES ARE: .020 - .315 = ± 0.007" .315 - 1.180 = ± 0.015" 1.180 - 4.724 = ± 0.020"</small>							
7	HEX NUT	BRASS	NICKEL	1		APPROVALS	DATE	<h1 style="text-align: center;">Amphenol Connex</h1> <p style="text-align: center;">PART DESCRIPTION BNC FEMALE TO FEMALE BULKHEAD ISOLATED ADAPTER</p> <p style="text-align: center;">PART NO. 112444</p>				
6	LOCK WASHER	BRASS	NICKEL	1		DRAWN	G.R.S.					01/14/03
5	LOCK RING	BRASS	NICKEL	1		CHECKED						
4	CONTACT PIN	PHOS. BRONZE	GOLD	1		ISSUED						
3	INSULATOR	DELTRIN	NATURAL	1		SHEET	1 OF 1					
2	INSULATOR	DELTRIN	WHITE	1								
1	BODY	BRASS	NICKEL	1								
						C:/112/112444.DWG	112444.DWG	NC	A	NA		