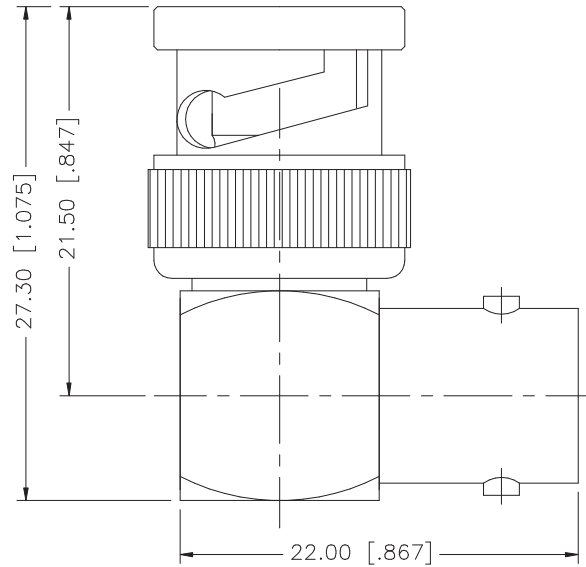


REV.	DATE	DESCRIPTION
NC	02/21/06	INITIAL RELEASE



REV.	DESCRIPTION	MATERIAL	FINISH	QTY	APPROVALS	DATE	Amphenol Connex			
8							<b>BNC MALE TO FEMALE R/A ADAPTER</b>			
7										
6										
5										
4	CONTACT PIN	BRASS	GOLD	1						
3	CONTACT PIN	PHOS. BRONZE	GOLD	1			PART NO. 112451			
2	INSULATOR	DELTRIN	NATURAL	2			DWG. NO. 112451.DWG			
1	BODY	BRASS	NICKEL	1			REV. NC SIZE A SCALE NA			
<small>UNLESS OTHERWISE SPECIFIED DIMENSIONS ARE IN MILLIMETERS. DIMENSIONS IN [ ] ARE IN INCHES AND FOR CUSTOMER REFERENCE ONLY.</small> <small>UNLESS OTHERWISE SPECIFIED TOLERANCES FOR MILLIMETERS ARE:</small> 0.5 - 8mm ± 0.20mm 8 - 30mm ± 0.40mm 30 - 120mm ± 0.50mm <small>UNLESS OTHERWISE SPECIFIED TOLERANCES FOR INCHES ARE:</small> .020 - .315 = ± 0.007" .315 - 1.180 = ± 0.015" 1.180 - 4.724 = ± 0.020" DO NOT SCALE DRAWING					DRAWN G.R.S. 02/21/06 CHECKED ISSUED SHEET 1 OF 1 CAD FILE C:/112/112451.DWG					