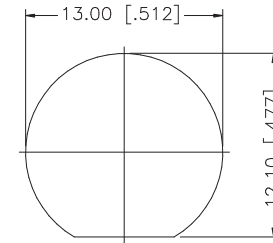
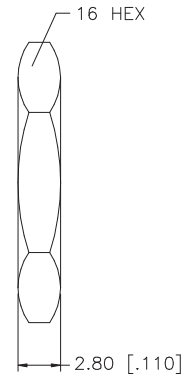
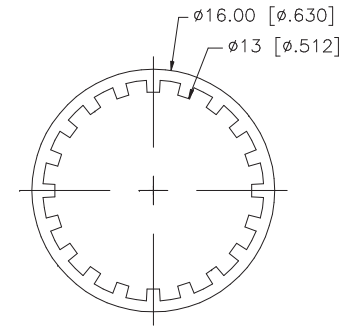
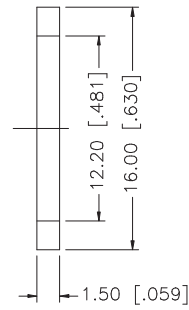
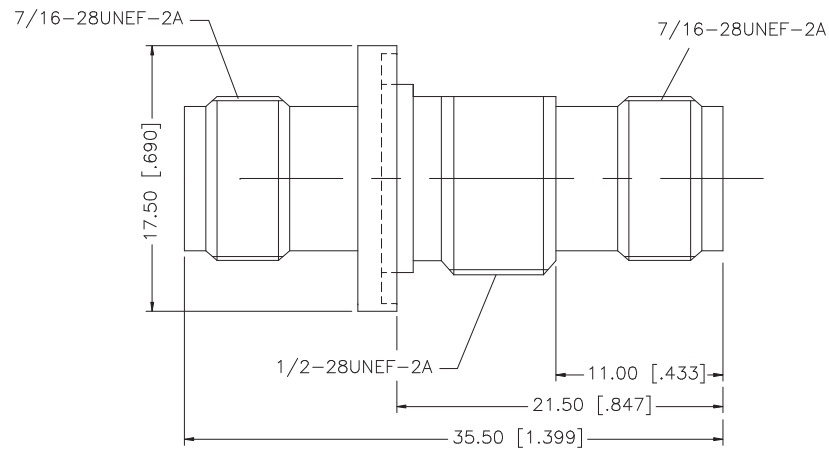


REV.	DATE	DESCRIPTION
NC	06/20/03	INITIAL RELEASE



RECOMMENDED  
MOUNTING HOLE

9				
8				
7				
6	HEX NUT	BRASS	NICKEL	1
5	LOCK WASHER	BRASS	NICKEL	1
4	GASKET	RUBBER	RED	1
3	CONTACT PIN	PHOS. BRONZE	GOLD	1
2	INSULATOR	DELIN	NATURAL	1
1	BODY	BRASS	NICKEL	1
	DESCRIPTION	MATERIAL	FINISH	QTY

UNLESS OTHERWISE SPECIFIED DIMENSIONS ARE IN MILLIMETERS. DIMENSIONS IN [ ] ARE IN INCHES AND FOR CUSTOMER REFERENCE ONLY.

UNLESS OTHERWISE SPECIFIED TOLERANCES FOR MILLIMETERS ARE:  
0.5 - 8mm  $\pm$  0.20mm  
8 - 30mm  $\pm$  0.40mm  
30 - 120mm  $\pm$  0.50mm

UNLESS OTHERWISE SPECIFIED TOLERANCES FOR INCHES ARE:  
.020 - .315 =  $\pm$  0.007"  
.315 - 1.180 =  $\pm$  0.015"  
1.180 - 4.724 =  $\pm$  0.020"

DO NOT SCALE DRAWING

APPROVALS	DATE
DRAWN G.R.S.	06/20/03
CHECKED	
ISSUED	
SHEET 1 OF 1	
CAD FILE	C:/122/122342.DWG

**Amphenol Connex**

PART DESCRIPTION

TNC FEMALE TO FEMALE BULKHEAD ADAPTOR

PART NO.

122342

DWG. NO.

122342.DWG

REV. NC

SIZE A

SCALE NA