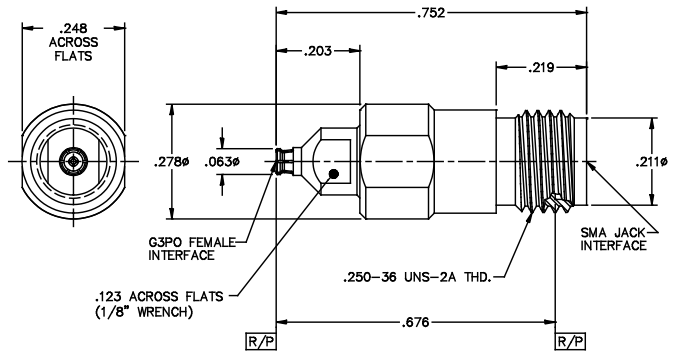


DATE REVISED: 2/8/15

CATALOG NUMBER
1R1F1-0503-01

MATERIAL AND FINISH

SMA HOUSING: CRES 303; PASSIVATED
 G3PO HOUSING AND BeCu; GOLD PLATE 75 MICROINCHES TYPICAL
 CENTER CONTACT: OVER NICKEL PLATE 100 MICROINCHES TYPICAL
 DIELECTRIC: VIRGIN PTFE



This drawing and any data contained herein is the property of Corning Gilbert Inc., and constitutes and contains proprietary and confidential information. Neither receipt nor possession of this drawing confers or transfers any right to duplicate, use or disclose any information contained herein except as expressly authorized by Corning Gilbert Inc.

G3PO FEMALE TO SMA JACK ADAPTER		IDENT CODE: 82316	Corning Gilbert Inc.
		REVISION: 02	
SOURCE FILE: SK-4459	DWG. NO.: OL-1R1F1-0503-01	ASSY. PROC.: —	