



Precision Connector, Inc.

REV.

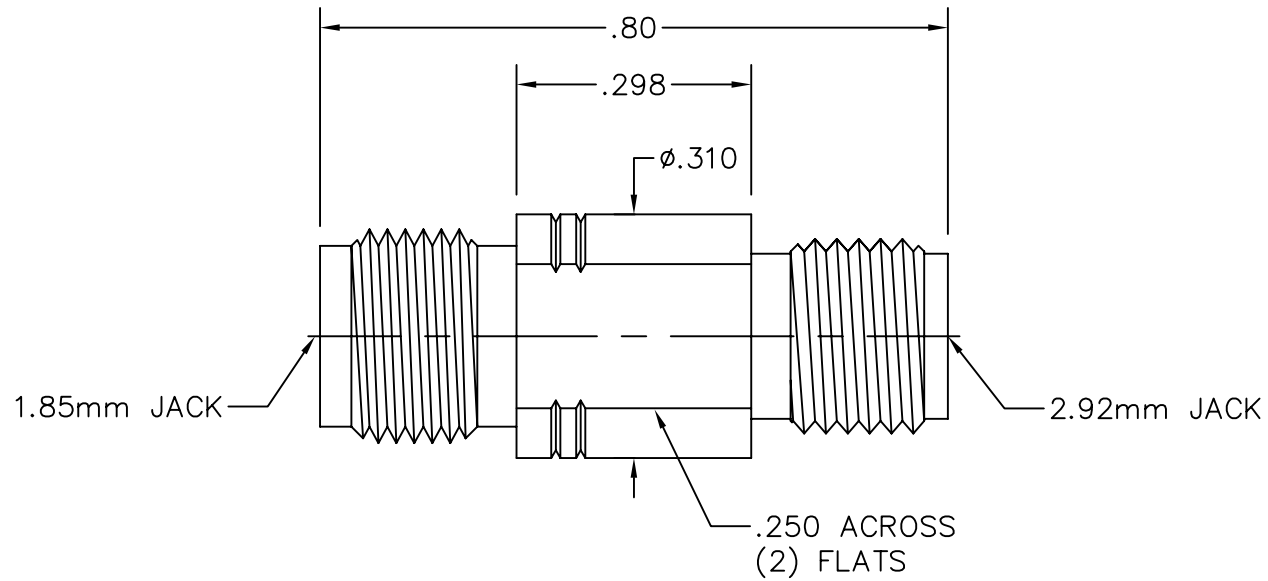
—

ASSEMBLY NO.

3189

ASSEMBLY TITLE:

1.85mm JACK TO 2.92mm JACK



NOTE: PART NUMBER WAS 2-000-1921-0

REV	DESCRIPTION	DATE	APPROVED																
—	INITIAL RELEASE	05/09/2007																	
<table border="1"> <tr> <td>DIMENSIONAL TOLERANCES</td> <td></td> <td></td> <td></td> </tr> <tr> <td>XX = ±.02</td> <td></td> <td></td> <td></td> </tr> <tr> <td>XXX = ±.005</td> <td></td> <td></td> <td></td> </tr> <tr> <td>ANG = ±2°</td> <td></td> <td></td> <td></td> </tr> </table>				DIMENSIONAL TOLERANCES				XX = ±.02				XXX = ±.005				ANG = ±2°			
DIMENSIONAL TOLERANCES																			
XX = ±.02																			
XXX = ±.005																			
ANG = ±2°																			
CAGE CODE	DRAWN BY:	SHEET:	ASSEMBLY NUMBER:																
4MJR5	DB	1 of 1	3189																
			REV																
			—																