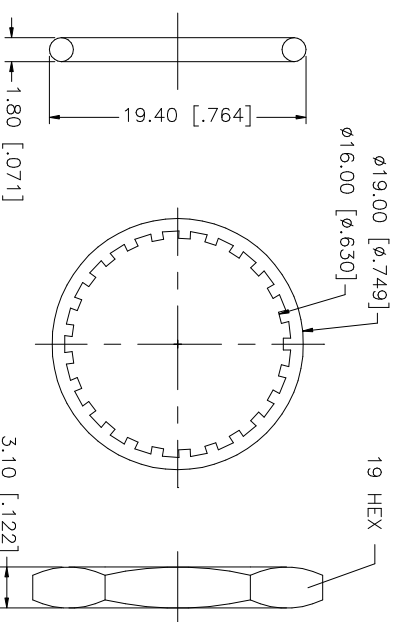
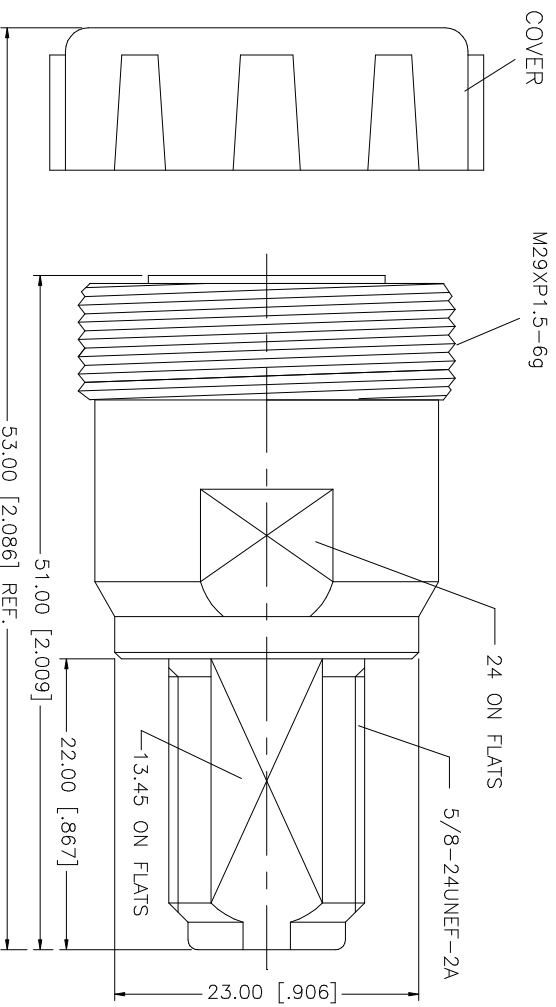
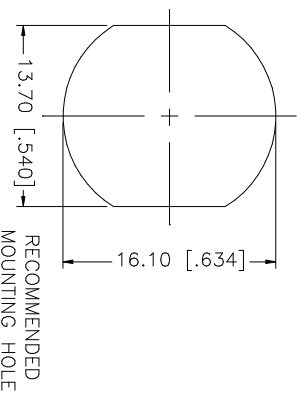


REV.	DATE	DESCRIPTION
NC	01/09/03	INITIAL RELEASE



NOTE: MAX. PANEL THICKNESS = 6.5mm

UNLESS OTHERWISE SPECIFIED DIMENSIONS ARE IN MILLIMETERS DIMENSIONS IN [] ARE IN INCHES AND FOR CUSTOMER REFERENCE ONLY.	UNLESS OTHERWISE SPECIFIED TOLERANCES FOR MILLIMETERS ARE:	UNLESS OTHERWISE SPECIFIED TOLERANCES FOR INCHES ARE:	APPROVALS	DATE	PART DESCRIPTION		
8 COVER	PE	BLUE	DRAWN G.R.S.	01/09/03	Amphenol Connex N BULKHEAD JACK TO 7/16 JACK ADAPTER		
7 HEX NUT	BRASS	NEXCOTE	CHECKED				
6 LOCK WASHER	BRASS	NEXCOTE	ISSUED				
5 GASKET	SILICONE	RED					
4 INSULATOR	TEFLON	NATURAL					
3 CONTACT PIN	BER. COPPER	SILVER					
2 HOUSING/BODY	BRASS	NEXCOTE	SHEET 1 OF 1				
1 DESCRIPTION	MATERIAL	FINISH	DO NOT SCALE DRAWING	CAD FILE C:/272/272183.DWG		DWG. NO. 272183.DWG	
					REV. NC	SIZE A	SCALE NA