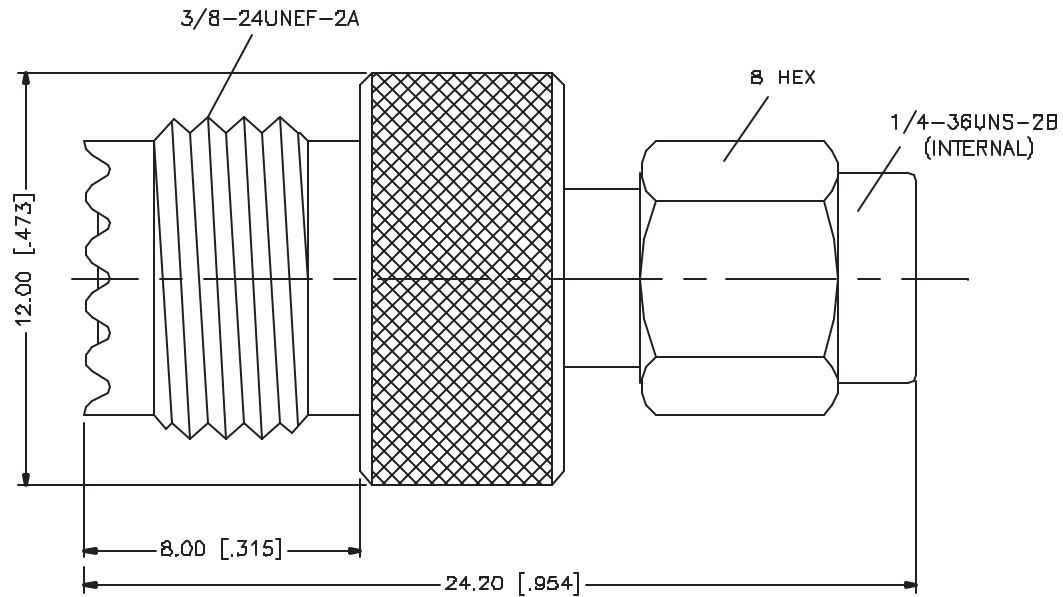


REV.	DATE	DESCRIPTION
A	03/27/05	UPDATE DRAWING FORMAT



8					<small>UNLESS OTHERWISE SPECIFIED DIMENSIONS ARE IN MILLIMETERS DIMENSIONS IN [] ARE IN INCHES AND FOR CUSTOMER REFERENCE ONLY.</small> <small>UNLESS OTHERWISE SPECIFIED TOLERANCES FOR MILLIMETERS ARE:</small> 0.5 - 8mm ± 0.20mm 8 - 30mm ± 0.40mm 30 - 120mm ± 0.50mm <small>UNLESS OTHERWISE SPECIFIED TOLERANCES FOR INCHES ARE:</small> .020 - .315 = ± 0.007" .315 - 1.180 = ± 0.015" 1.180 - 4.724 = ± 0.020" DO NOT SCALE DRAWING	APPROVALS	DATE	<h1 style="text-align: center;">Amphenol Connex</h1> <p style="text-align: center;">PART DESCRIPTION</p> <h2 style="text-align: center;">SMA PLUG TO MINI-UHF ADAPTER</h2> <p style="text-align: center;">PART NO.</p> <h3 style="text-align: center;">242116</h3> <p style="text-align: center;">DWS. NO. 242116.DWG</p>	
7						DRAWN	G.R.S.		03/27/05
6						CHECKED			
5						ISSUED			
4						SHEET	1 OF 1		
3	CONTACT PIN	PHOS. BRONZE	GOLD	1	CAD FILE			C:/242/242116.DWG	
2	INSULATOR	TEFLON	NATURAL	1	REV.	A	SIZE	A	
1	BODY	BRASS	NICKEL	1	SCALE	NA			
	DESCRIPTION	MATERIAL	FINISH	QTY					