

# ADAPTER SMP/F-SMA/M 26.5GHZ

SM8809

## SPECIFICATIONS

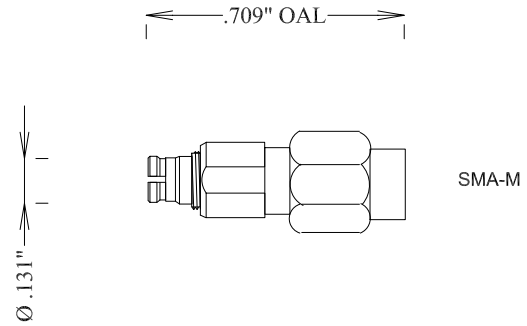
### ELECTRICAL:

FREQUENCY: 0-26.5 GHZ  
 IMPEDANCE: 50 OHMS  
 VSWR: 1.2:1 MAX

### MECHANICAL:

MATERIAL SMP BODY: BeCu  
 MATERIAL SMA BODY: PASS S STEEL  
 CENTER CONTACT SMP: BeCu  
 CENTER CONTACT SMA: BRASS  
 CONTACT PLATING: Au PER MIL-G-45204  
 INSULATOR: PTFE  
 INTERFACE: SMP DESC 94007  
 INTERFACE: SMA MIL-STD-348B  
 OP. TEMP RANGE: -55° to +125°C  
 ROHS COMPLIANT

MMSP-F  
 DESC 94007



				<b>FAIRVIEW MICROWAVE INC.</b>	
				ALLEN, TX 75013 <a href="http://WWW.FAIRVIEWMICROWAVE.COM">WWW.FAIRVIEWMICROWAVE.COM</a>	
				TITLE	
				<b>ADAPTER SMP/F-SMA/M 26.5GHZ</b>	
SIZE		CAGE CODE	DWG NO		REV
<b>A</b>		<b>3FKR5</b>	<b>SM8809</b>		<b>--</b>
SCALE					SHEET