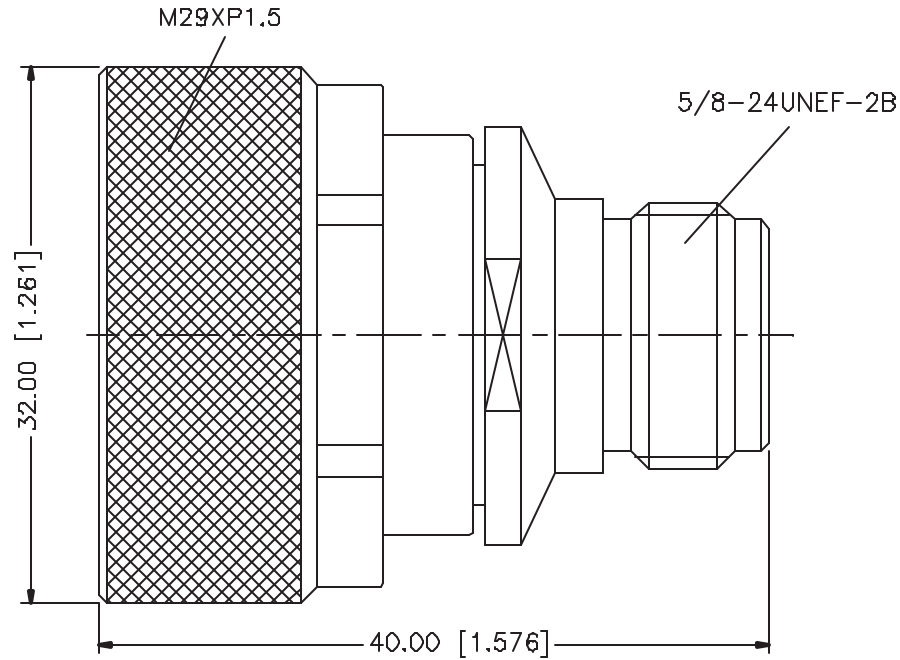


REV.	DATE	DESCRIPTION
NC	06/13/99	INITIAL RELEASE
A	05/22/05	UPDATE DRAWING FORMAT/ MODIFY PLATING SPEC



REV.	DESCRIPTION	MATERIAL	FINISH	QTY	APPROVALS	DATE	Amphenol Connex		
8							<b>N JACK TO 7/16 PLUG</b> PART NO. 242136 DWD. NO. 242136.DWG REV. A SIZE A SCALE NA		
7									
6									
5									
4							PART DESCRIPTION		
3	CONTACT PIN	BER. COPPER	SILVER	1			PART NO.		
2	INSULATOR	TEFLON	NATURAL	1			242136		
1	BDDY	BRASS	NEXCOTE	1			DWD. NO. 242136.DWG		
	DESCRIPTION	MATERIAL	FINISH	QTY	CAD FILE		C:/242/242136.DWG		

UNLESS OTHERWISE SPECIFIED DIMENSIONS ARE IN MILLIMETERS. DIMENSIONS IN [ ] ARE IN INCHES AND FOR CUSTOMER REFERENCE ONLY.

UNLESS OTHERWISE SPECIFIED TOLERANCES FOR MILLIMETERS ARE:  
 0.5 - 8mm ± 0.20mm  
 8 - 30mm ± 0.40mm  
 30 - 120mm ± 0.50mm

UNLESS OTHERWISE SPECIFIED TOLERANCES FOR INCHES ARE:  
 .020 - .315 = ± 0.007"  
 .315 - 1.180 = ± 0.015"  
 1.180 - 4.724 = ± 0.020"

DO NOT SCALE DRAWING

APPROVALS  
 DRAWN G.R.S. DATE 05/22/05

CHECKED  
 ISSUED  
 SHEET 1 OF 1