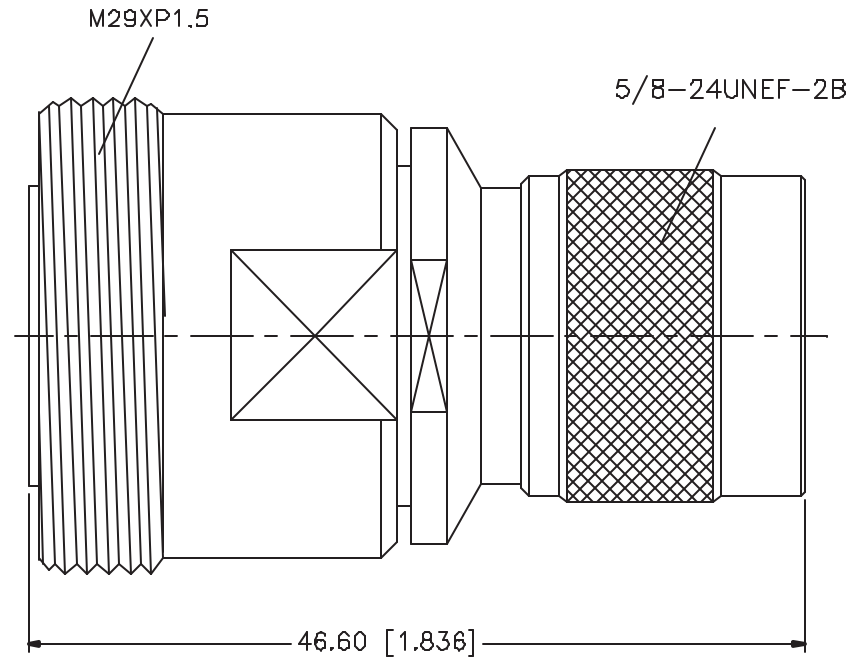


REV.	DATE	DESCRIPTION
NC	06/13/99	INITIAL RELEASE
A	05/22/05	UPDATE DRAWING FORMAT/ MODIFY PLATING SPEC



				UNLESS OTHERWISE SPECIFIED DIMENSIONS ARE IN MILLIMETERS. DIMENSIONS IN () ARE IN INCHES AND FOR CUSTOMER REFERENCE ONLY.	APPROVALS	DATE	Amphenol Connex				
8				UNLESS OTHERWISE SPECIFIED TOLERANCES FOR MILLIMETERS ARE: 0.5 - 8mm ± 0.20mm 8 - 30mm ± 0.40mm 30 - 120mm ± 0.50mm UNLESS OTHERWISE SPECIFIED TOLERANCES FOR INCHES ARE: .020 - .315 = ± 0.007" .315 - 1.180 = ± 0.015" 1.180 - 4.724 = ± 0.020"	DRAWN	G.R.S.					05/22/05
7					CHECKED			PART NO. 242135			
6					ISSUED						
5					SHEET	1 OF 1		DO NOT SCALE DRAWING			
4	CONTACT PIN	BER. COPPER	SILVER		1	CAD FILE	C:/242/242135.DWG				
3	CONTACT PIN	BRASS	SILVER	1							
2	INSULATOR	TEFLON	NATURAL	1							
1	BODY	BRASS	NEXCOTE	1							
	DESCRIPTION	MATERIAL	FINISH	QTY							