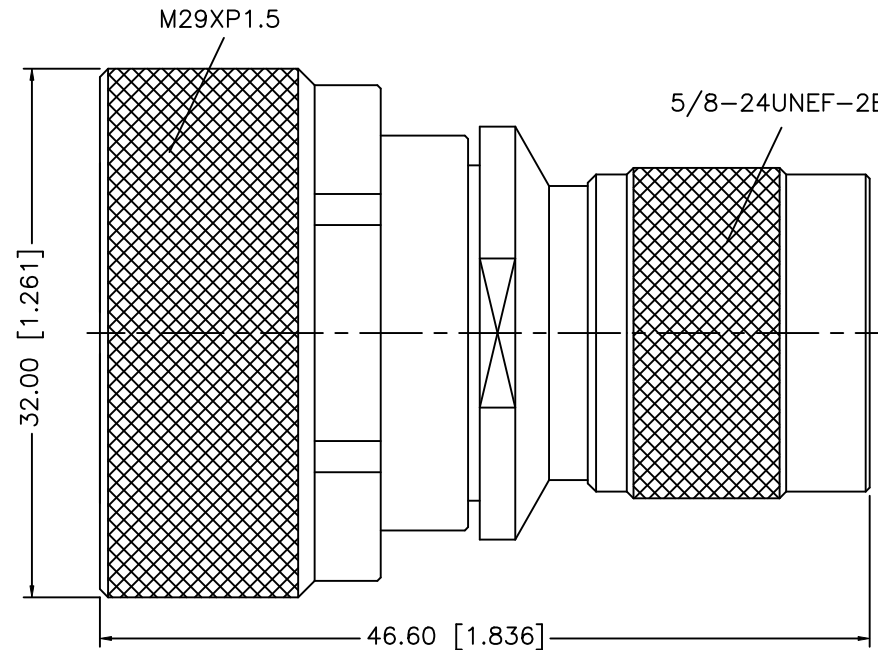


REV.	DATE	DESCRIPTION
NC	06/13/99	INITIAL RELEASE
A	03/27/08	UPDATE DRAWING FORMAT



				UNLESS OTHERWISE SPECIFIED DIMENSIONS ARE IN MILLIMETERS. DIMENSIONS IN [] ARE IN INCHES AND FOR CUSTOMER REFERENCE ONLY.	APPROVALS	DATE	Amphenol Connex			
8				UNLESS OTHERWISE SPECIFIED TOLERANCES FOR MILLIMETERS ARE: 0.5 - 8mm ± 0.20mm 8 - 30mm ± 0.40mm 30 - 120mm ± 0.50mm UNLESS OTHERWISE SPECIFIED TOLERANCES FOR INCHES ARE: .020 - .315 = ± 0.007" .315 - 1.180 = ± 0.015" 1.180 - 4.724 = ± 0.020" DO NOT SCALE DRAWING	DRAWN	G.R.S.				03/27/08
7					CHECKED					
6					ISSUED					
5					SHEET	1 OF 1				
4	CONTACT PIN	BRASS	SILVER	1	PART NO. 242138					
3	INSULATOR	TEFLON	NATURAL	1	DWG. NO. 242138.DWG			REV. A	SIZE A	SCALE NA
2	BODY	BRASS	SILVER	1	CAD FILE C:/242/242138.DWG					
1	HOUSING	BRASS	SILVER	1						
DESCRIPTION				MATERIAL	FINISH	QTY				