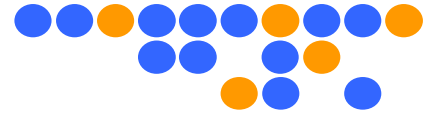


SCMJ Adapter Data Sheet



SMA Conversion Adapter

(SCMJ to SMA Male Adapter)



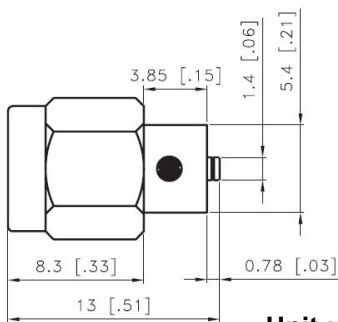
Technical Data

Electrical Data	Impedance	50 Ω
	Max. Frequency	6 GHz
	V.S.W.R	1.2 Max @ 6 Ghz
	Insulation Resistance	5000 MΩ
	Contact Resistance	Inner 5mΩ Outer 2.5mΩ
Mechanical Data	Force to Engagement	2 kgf max.
	Force to Disengagement	0.2 kgf min.
	Durability	5000 mating cycles
Environmental Data	Operating Temp.	-40 °C ~ 125 °C
	Shock	MIL-STD-202
	RoHS	Compliant

Material Data		Material	Surface Plating
	Center Contact	Brass	Gold Plating on Ni
	Body	SUS	Passivated
	Insulator	PTFE	White
	Epoxy	Low Loss Resin	Black

Outline Drawing

Part Number



Part No.

SMS-ADP-SCMJ-01