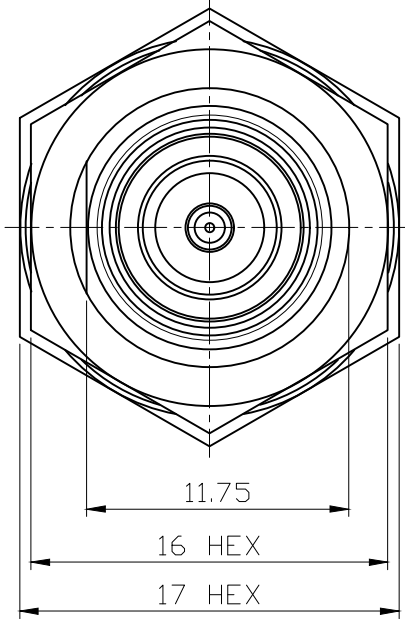
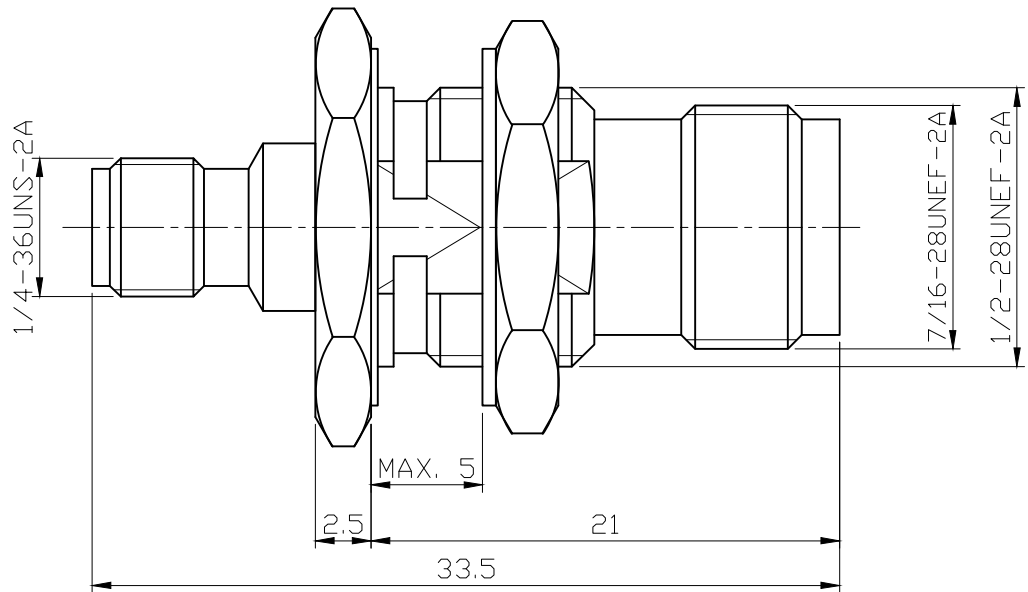
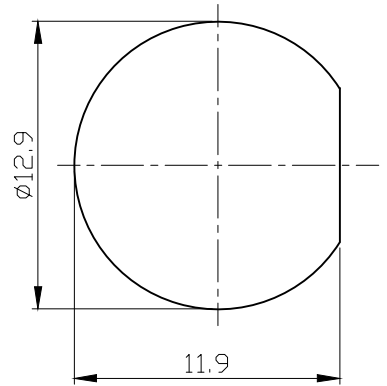


REVISION			
REV.	DESCRIPTION	DATE	APPROVED
-	INITIAL RELEASE	2013/05/28	



MOUNTING HOLD



NOTES: FINISH (PLATING THICKNESS IN MICRO-INCHES)

1. BRASS.
2. BERYLLIUM COPPER.
3. TIN-ZINC-COPPER-ALLOY PL. 100 MIN.
OVER COPPER PL. 50 MIN.
4. GOLD PL. 4 MIN. OVER NICKEL-PHOSPHORUS ALLOY
PL. 80 MIN. OVER COPPER PL. 20 MIN.

NO.	DESCRIPTION	MATERIAL	FINISH	QTY	PART NO.						JYE BAO CO., LTD. TAIPEI TAIWAN TITLE SMA JACK TO BNC JACK FOR BULKHEAD DRAWING NO. AD-A8T9-BF		
8	HEX NUT	NOTE 1	NOTE 3	1	BNC8105-7/W	DIMENSION ARE MILLIMETERS UNLESS OTHERWISE SPECIFIED TOLERANCES 0.5~ 5= ±0.05 5~10 = ±0.07 10~20 = ±0.10 20~30 = ±0.15 30~ = ±0.20	SCALE	3 / 1	REV	-		UNIT	MM
7	WASHER	NOTE 1	NOTE 3	1	BNC8105-6/W		APPROVE	DATE					
6	GASKET	SILICONE		1	BNC8105-5		CHECKED	DATE					
5	CONTACT PIN	NOTE 2	NOTE 4	1	AD-A8T9-BF-5/NM		DRAWN	DATE					
4	INSULATOR	TEFLON		1	AD-T9T8-5								
3	INSULATOR	TEFLON		1	AD-A8N8-BF-3								
2	BODY	NOTE 1	NOTE 3	1	AD-A8T8-BF-2/W								
1	BODY	NOTE 1	NOTE 4	1	AD-A8B8-BF-1/NM								