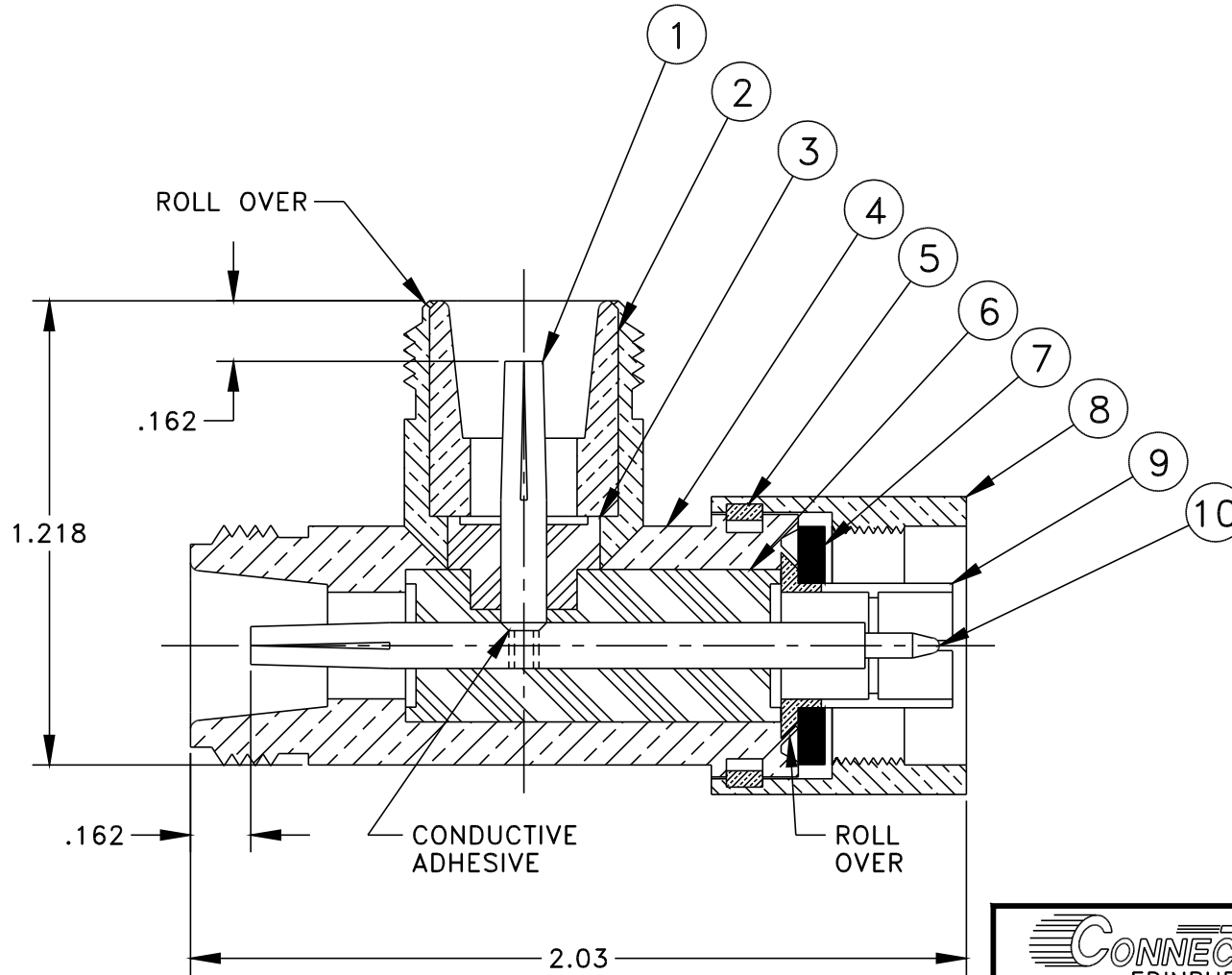


DASH #	BODY FINISH	CONTACT FINISH
-1	SILVER	GOLD
-2	NICKEL	SILVER
-3	TRI-M-3	.0001 GOLD OVER COPPER

THIS DOCUMENT CONTAINS PROPRIETARY INFORMATION & MAY NOT BE REPRODUCED OR DISCLOSED TO OTHERS WITHOUT WRITTEN CONSENT FROM CONNECTRONICS, INC.



REVISIONS	DATE	BY
ECN1493 ADDED -2.	12/10/97	-A- JB
ECN1559 ADDED -3.	3/5/98	-B- JB

CONNECTRONICS, INC. EDINBURGH, INDIANA		FSCM 43608
DWG BY: JOHN B. DATE: 9/14/95		TOLERANCES UNLESS OTHERWISE SPECIFIED
APVD BY:	SCALE: _____	2 PL DEC ± .020
MATERIAL: _____		3 PL DEC ± .005
FINISH: _____		ANG. DIM ± 1/2°
DESCRIPTION: N ADAPTOR, TEE, PLUG, JACK, JACK		DRAWING NO. 46-619 SHT 1 OF 1