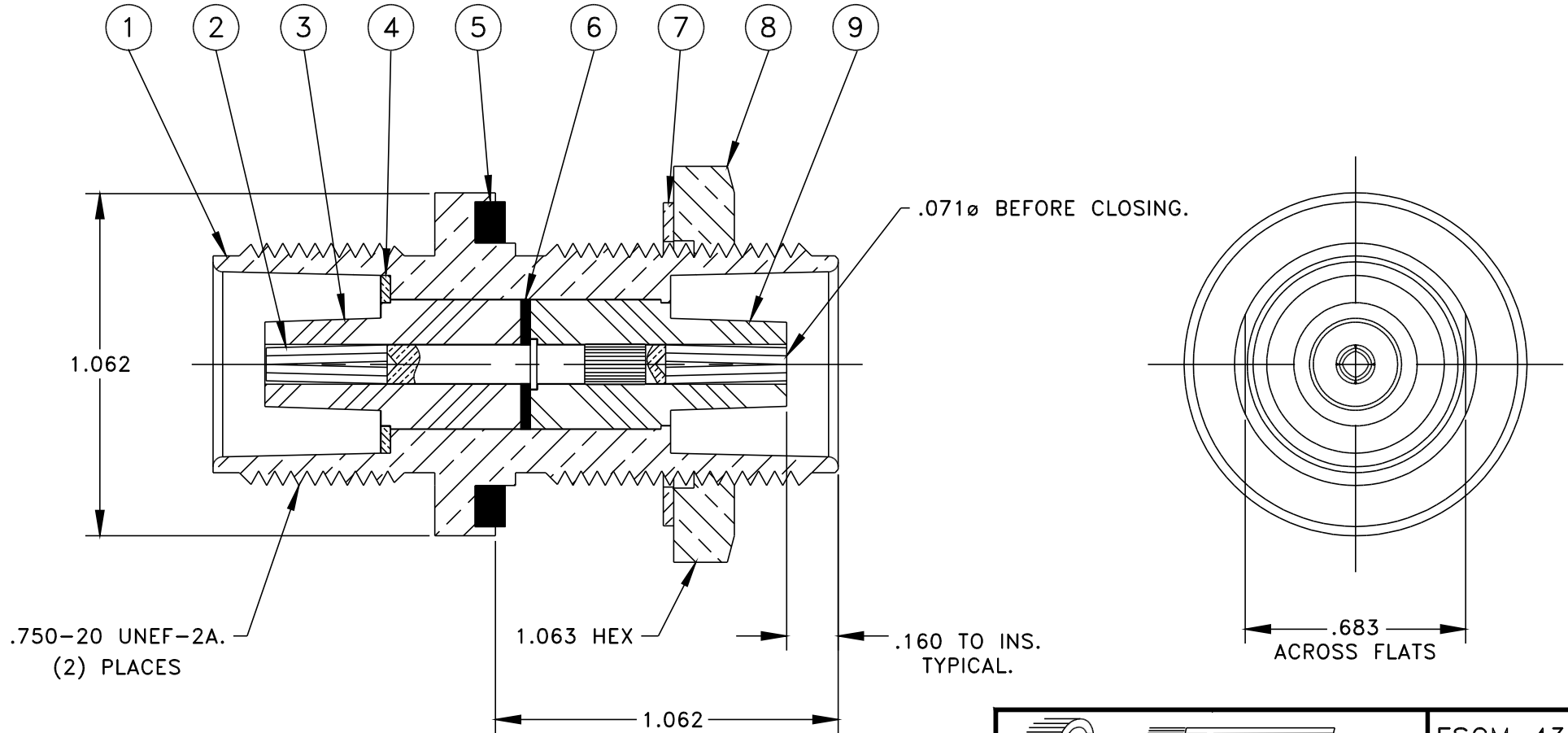


DASH #	BODY FINISH	CONTACT FINISH
-1	SILVER	SILVER

NOTES: APPLY DOW CORNING SEALING COMPOUND #4 TO ITEMS 3 & 9 ON SURFACES FACING THE INNER GASKET.

THIS DOCUMENT CONTAINS PROPRIETARY INFORMATION & MAY NOT BE REPRODUCED OR DISCLOSED TO OTHERS WITHOUT WRITTEN CONSENT FROM CONNECTRONICS, INC.



*INSPECT PER QP 56-611-01.

CONNECTRONICS, INC. EDINBURGH, INDIANA		FSCM 43608
DWG BY: DZ	DATE: 5/31/05	TOLERANCES UNLESS OTHERWISE SPECIFIED
APVD BY:	SCALE: _____	2 PL DEC ±.020
MATERIAL: _____		3 PL DEC ±.005
FINISH: _____		ANG. DIM ±1/2°
DESCRIPTION: HN ADAPTOR, JACK TO JACK, BULKHEAD		DRAWING NO. 56-611 SHT 1 OF 1

REVISIONS