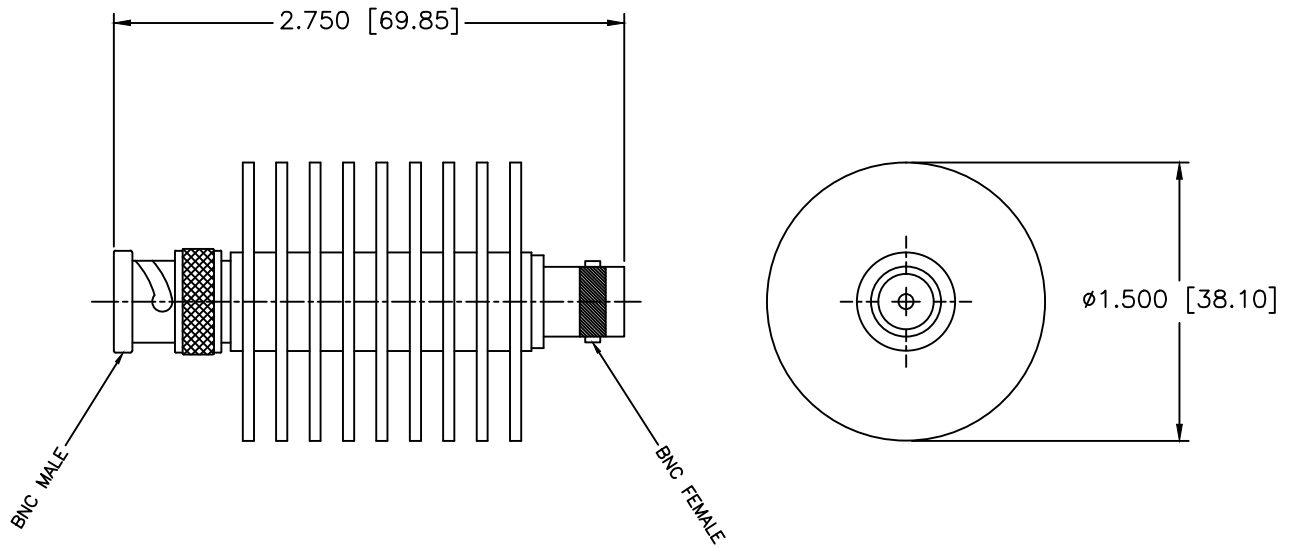


REVISIONS				
ZONE	REV	DESCRIPTION	DATE	APPROVED



SPECIFICATIONS

Frequency Range: DC–500 MHz
 VSWR: 1.20:1 Max.
 Power @ 25°C: 20 Watts
 Attenuation Accuracy: 10dB ±0.5dB
 Operating Temperature: –55°C to +85°C
 Impedance: 50 ohms
 Mechanical
 Shell: Stainless Steel
 Contact: Gold Plated Beryllium Copper
 Housing: Aluminum

MATERIAL:		MICROWAVE COMMUNICATIONS LABORATORIES INC. 7255 30TH AVE. N. SAINT PETERSBURG, FL 33710 TEL: (727) 344-6254 FAX: (727) 381-6116 http://WWW.MCLI.COM	SCALE:	N/A
UNLESS OTHERWISE SPECIFIED: TOLERANCES IN (INCHES) OR [mm] (MILLIMETERS) FRACTIONS: ± 1/64 DECIMALS: ±.01 ±.005 ANGLE: ±1/2°			DRAWING TITLE:	COAXIAL ATTENUATOR
DRAWN:		PART NO.		
DATE:		FAB-500-10		
APPROVED:		CAGE CODE:	SIZE:	REV:
Paiboon Luexhamhan T. Nguyen		OD2L5	A	N/A
DATE: 12-18-1997 12-18-1997		DO NOT SCALE THE DRAWING		DWG NO. 81950



UNLESS OTHERWISE SPECIFIED:
 TOLERANCES
 IN (INCHES) OR [mm] (MILLIMETERS)
 FRACTIONS: ± 1/64
 DECIMALS: ±.01 ±.005
 ANGLE: ±1/2°

PROPRIETARY NOTICE:
 THE INFORMATION IN THIS DRAWING IS PROPRIETARY
 AND SHALL NOT BE USED OR DISCLOSED WITHOUT WRITTEN
 PERMISSION FROM MICROWAVE COMMUNICATIONS
 LABORATORIES INC. (MCLI)

