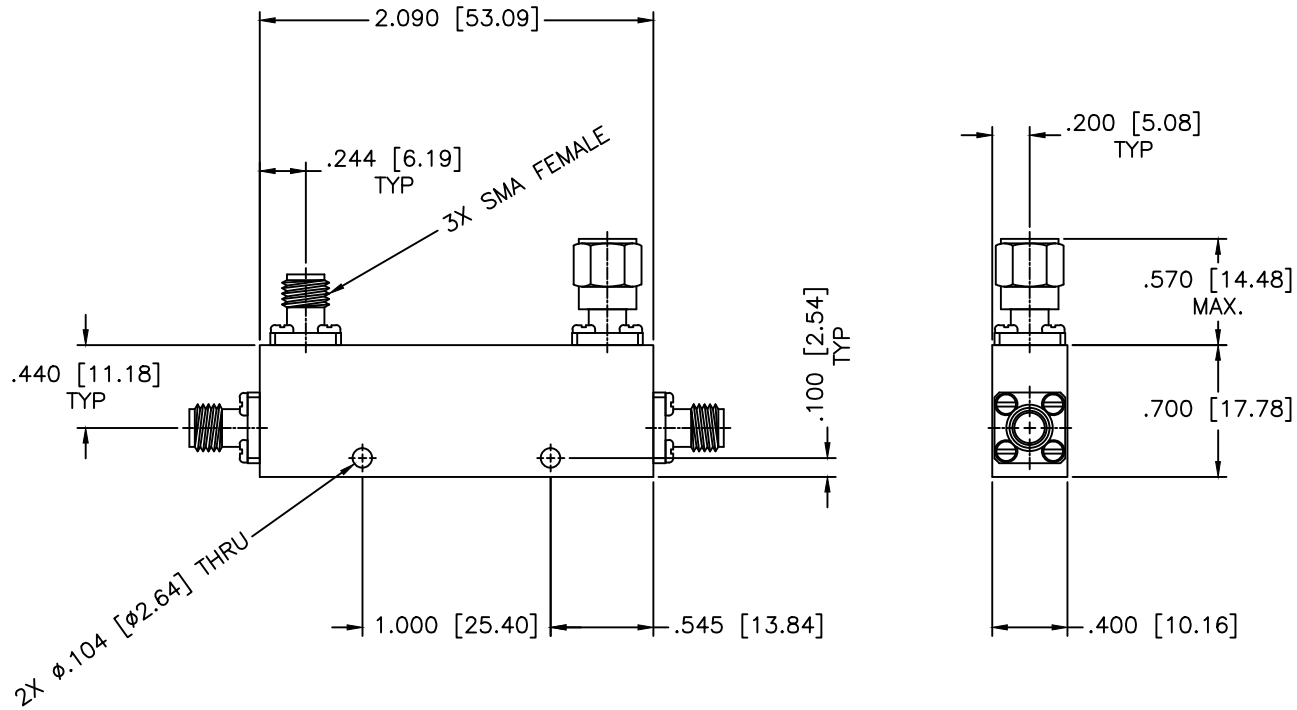


REVISIONS				
ZONE	REV	DESCRIPTION	Date	APPROVED



**SPECIFICATIONS**

Frequency Range: 2–18 GHz  
 Coupling: 10±1.0dB  
 Insertion Loss: 1.3dB Max.  
 Frequency Sensitivity: ±0.5dB  
 Directivity: 12dB Min.  
 VSWR: 1.50:1 Max.  
 Power: 25W Avg, 3kW Peak  
 Operating Temperature: -54°C to +85°C

MATERIAL:		<b>MCLI</b> MICROWAVE COMMUNICATIONS LABORATORIES INC. 7255 30TH AVE. N. SAINT PETERSBURG, FL 33710 TEL: (727) 544-6254 FAX: (727) 381-6116 http://WWW.MCLI.COM	SCALE:	N/A
			SHEET:	N/A
UNLESS OTHERWISE SPECIFIED: TOLERANCES IN (INCHES) OR [mm] (MILLIMETERS) FRACTIONS: ± 1/64 DECIMALS: ±.01 ±.005 ANGLE: ±1/2°		DRAWING TITLE: <b>DIRECTIONAL COUPLER</b>		
DRAWN: Paiboon Luexhamhan		PART NO. <b>CB8-10</b>		
DATE: 08-28-2001		CAGE CODE: OD2L5		
APPROVED: T. Nguyen		DATE: 08-28-2001		
THIRD ANGLE PROJECTION		SIZE: N/A		
		REV: A		
		DWG NO. 81830		
		DO NOT SCALE THE DRAWING		