

RF AMPLIFIER

MODEL QBH-8973

Available as: QBH-8973, 0.500" Sq. Surface Mount (E52-19422)

Features

- Low Cost Packaging
- Low Noise Figure: 1.5 dB Typical
- Low +5 Volt Supply
- Standard RF Design

Specifications

CHARACTERISTIC	TYPICAL Ta= 25 °C	MIN/MAX Ta = -40 °C to +85 °C
Frequency	10 - 150 MHz	30 - 110 MHz
Gain (dB)	8.2	7.0 Min.
Gain Flatness dB (P-P)	0.20	0.75 Max.
Reverse Isolation (dB)	-11	-9 Max.
VSWR In	1.3:1	2.0:1 Max.
VSWR Out	1.3:1	2.0:1 Max.
1 dB Compression (dBm)	+15.0	+13.5 Min.
Output Intercept Point 3rd Order	+33	+26 Min.
Noise Figure (dB)	1.5	3.0 Max.
Power Vdc	+5	+5
Power mA	25	35 Max.

Absolute (No Damage) Maximum Ratings

Ambient Operating Temperature -40 °C to +100 °C
 Storage Temperature -65 °C to + 125 °C
 Operating Case Temperature + 125 °C
 DC Voltage + 8 Volts
 Continuous RF Input Power + 13 dBm
 Short Term RF Input Power 50 Milliwatts (1 Minute Max.)
 Maximum Peak Power 0.5 Watt (3 μsec Max.)

Note: Care should always be taken to effectively ground the case of each unit.

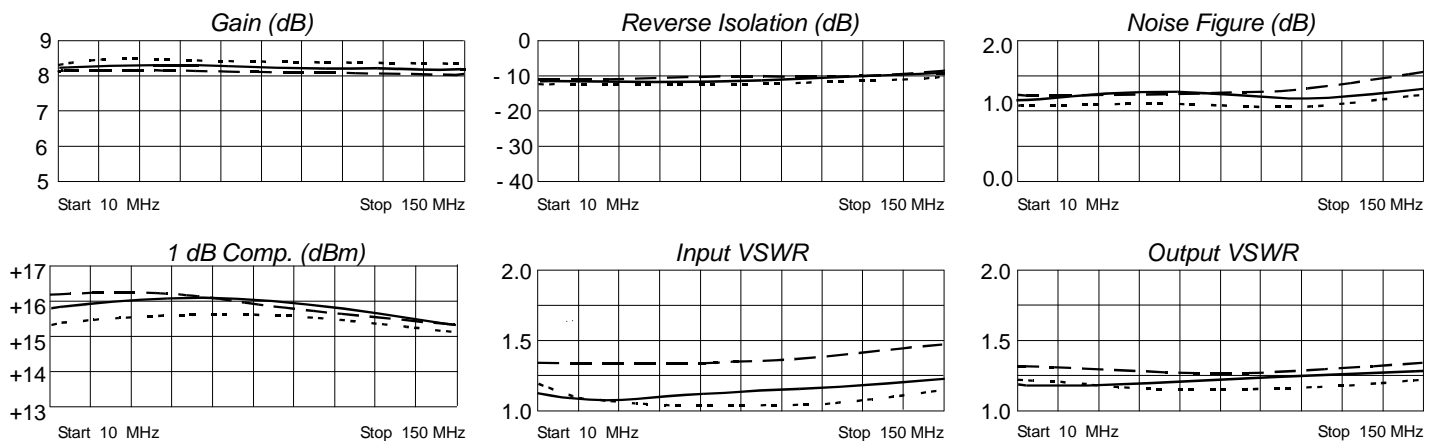


Note:

1. Specifications are guaranteed when tested in a 50 Ohm system.
 Specifications indicated as typical are not guaranteed.

Revision 9/24/2013

Typical Performance Data



Legend ——— + 25 °C - - - - + 85 °C ······ -40 °C

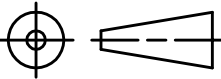


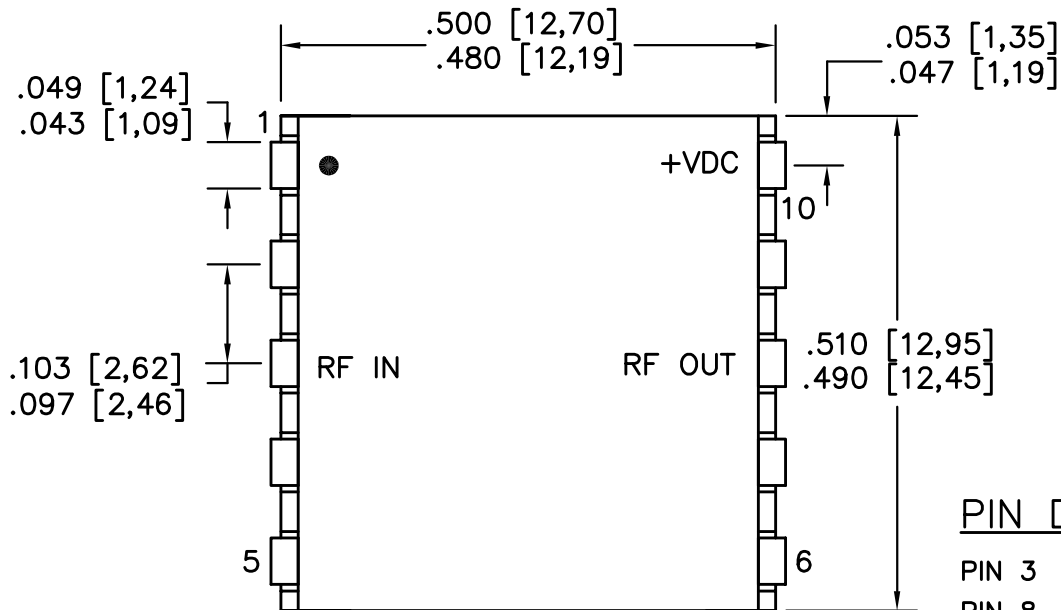
Spectrum Microwave · 2144 Franklin Drive N.E. · Palm Bay, Florida 32905 · PH (888) 553-7531 · Fax (888) 553-7532

www.SpectrumMicrowave.com

Spectrum Microwave · 2707 Black Lake Place · Philadelphia, Pennsylvania 19154 · PH (215) 464-4000 · Fax (215) 464-4001

NOTES: UNLESS OTHERWISE SPECIFIED,

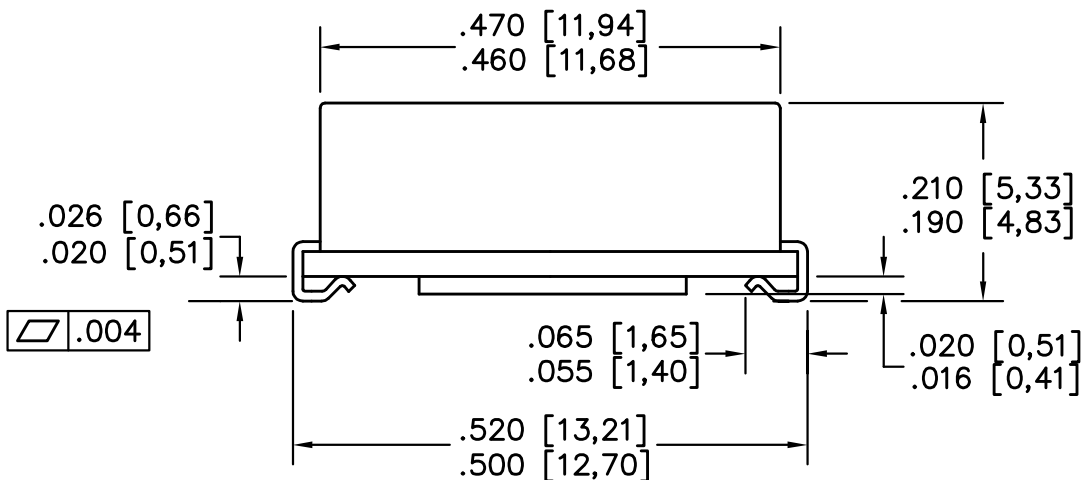
1. INTERPRET DWG PER ASME Y14.100.
2. INTERPRET THIRD ANGLE PROJECTION  (ISO-A).
3. DIMENSIONS ARE IN INCHES [MM].
4. INTERPRET DIMENSIONING SYMBOLS PER ASME Y14.5M.
5. DO NOT SCALE THIS DRAWING.
6. ALL PRINTED PATTERN TOLERANCES: $\pm .001$.
7. ALL DRILLED FEATURES: $\pm .002$.



PIN DESIGNATIONS:

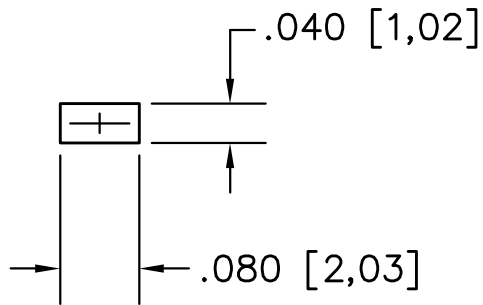
- PIN 3 RF INPUT
- PIN 8 RF OUTPUT
- PIN 10 DC VOLTAGE
- ALL OTHERS GROUND

TOP VIEW

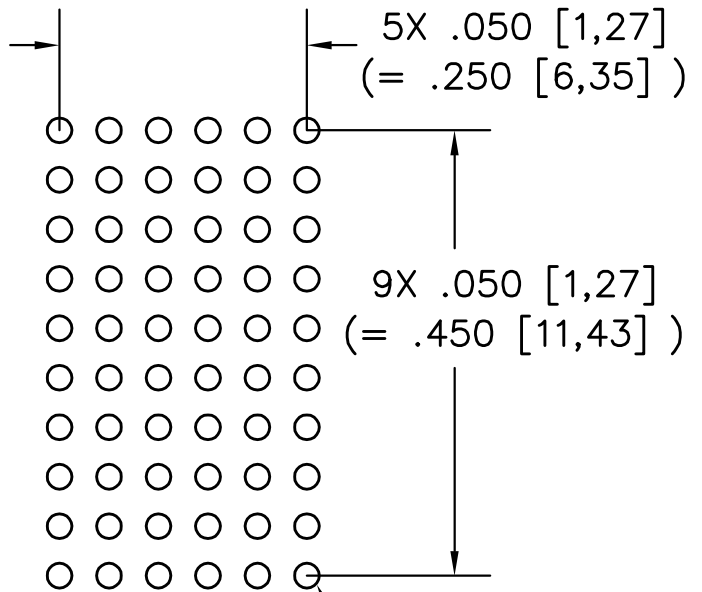


FRONT VIEW

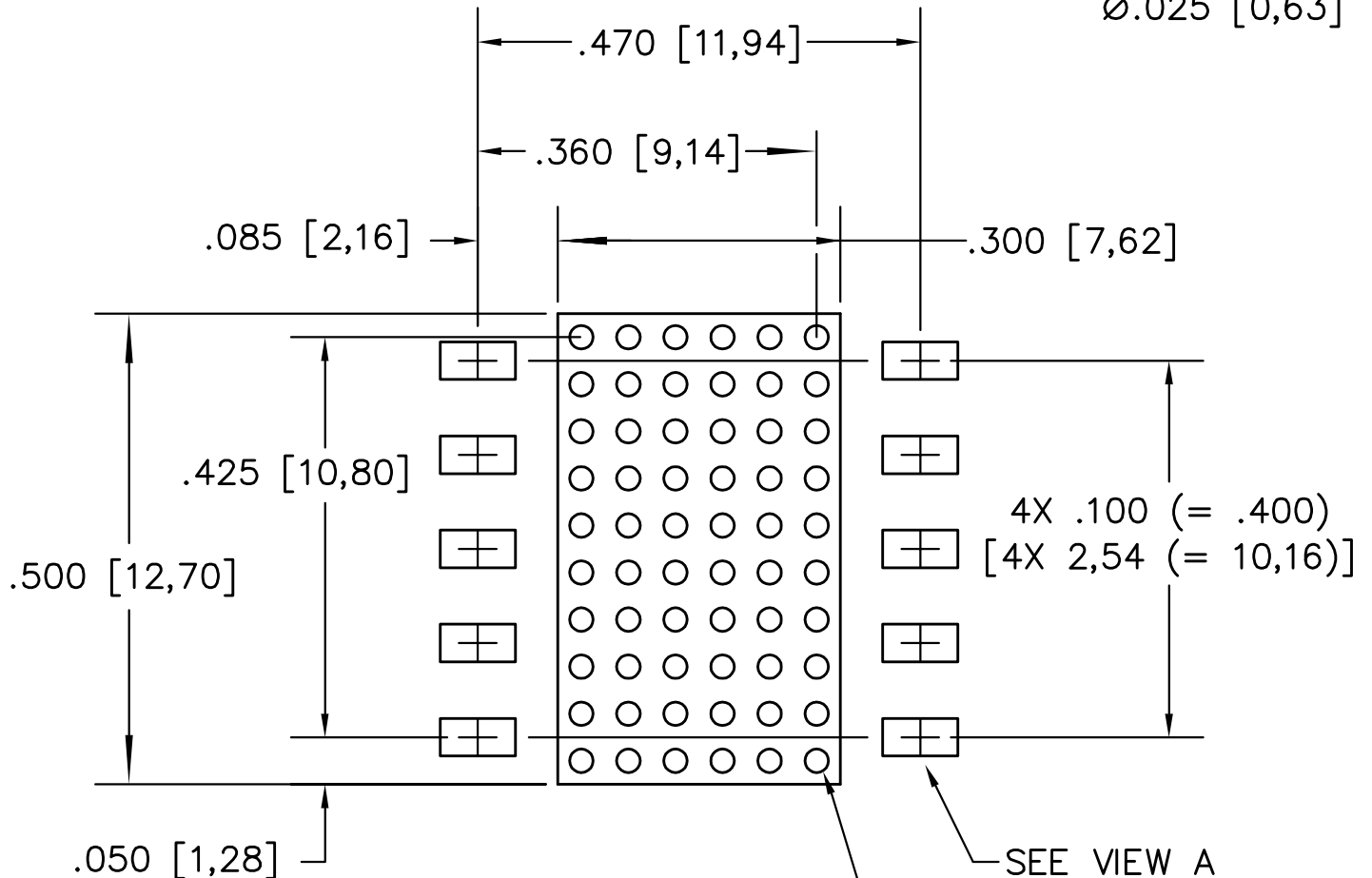
SPECTRUM MICROWAVE, INC	SIZE	CAGE CODE	DWG NO.
	A	55027	080-10117-0001
TITLE	SCALE:	REV	SHEET
OUTLINE DRAWING	5/1	F.2	2 OF 3



VIEW A
10 PLACES



VIEW B



FOOT PRINT

SPECTRUM MICROWAVE, INC TITLE OUTLINE DRAWING	SIZE A	CAGE CODE 55027	DWG NO. 080-10117-0001		
	SCALE: 5/1	REV F.2	SHEET 3	OF 3	