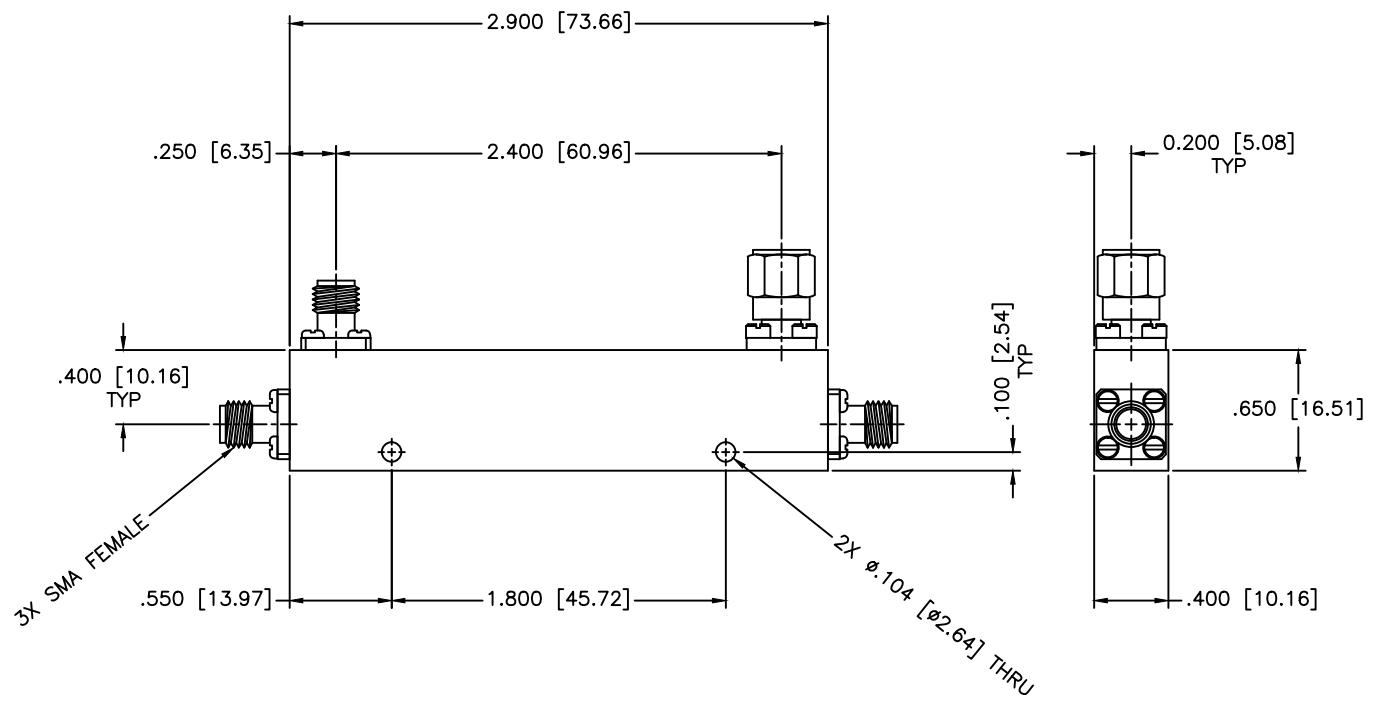


REVISIONS				
ZONE	REV	DESCRIPTION	DATE	APPROVED



SPECIFICATIONS

Frequency Range: 1-4 GHz
 VSWR: 1.28:1 Max.
 Coupling: 6±1.0dB
 Insertion Loss: 0.9dB Max.
 Directivity: 23dB Min.
 Frequency Sensitivity: ±0.5dB
 Power Incident, Reflected: 50W, 5W, 3kW Peak

MATERIAL:			MICROWAVE COMMUNICATIONS LABORATORIES INC. 7255 30TH AVE. N. SAINT PETERSBURG, FL 33710 TEL: (727) 344-6254 FAX: (727) 381-6116 http://WWW.MCLI.COM		SHEET:	N/A
UNLESS OTHERWISE SPECIFIED: TOLERANCES IN (INCHES) OR [mm] (MILLIMETERS) FRACTIONS: ± 1/64 DECIMALS: ±.01 ±.005 ANGLE: ±1/2°			DRAWING TITLE:		DIRECTIONAL COUPLER	
DRAWN:		DATE:		PART NO.		
Paiboon Luekhamhan		05-20-2004		CB51-6		
APPROVED:		DATE:		CAGE CODE:	SIZE:	REV:
T. Nguyen		05-20-2004		OD2L5	A	N/A
PROPRIETARY NOTICE: THE INFORMATION IN THIS DRAWING IS PROPRIETARY AND SHALL NOT BE USED OR DISCLOSED WITHOUT WRITTEN PERMISSION FROM MICROWAVE COMMUNICATIONS LABORATORIES INC. (MCLI)		THIRD ANGLE PROJECTION 		DWG NO.		81771
				DO NOT SCALE THE DRAWING		