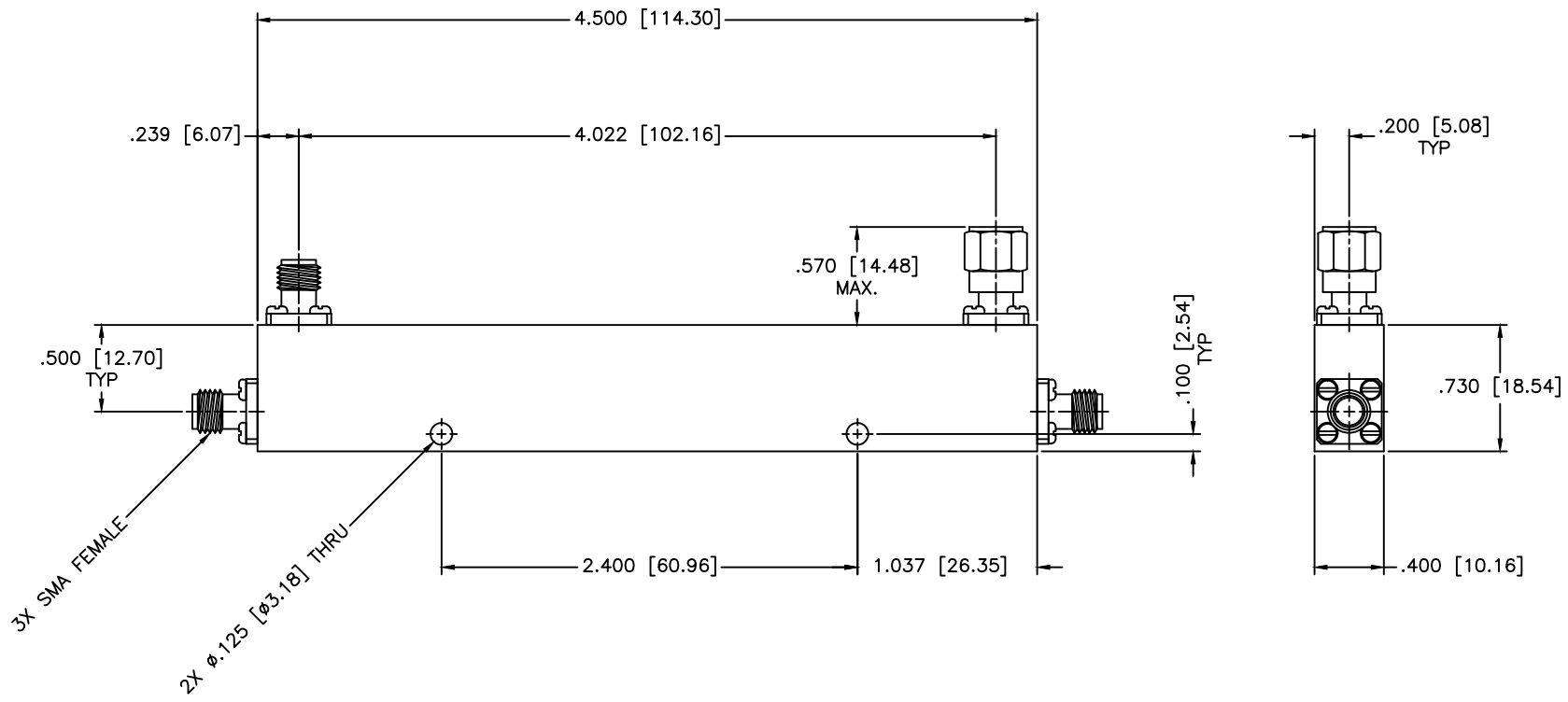


REVISIONS				
ZONE	REV	DESCRIPTION	DATE	APPROVED



SPECIFICATIONS

Frequency Range: 0.5–18 GHz
 Coupling: 10±1.0dB
 Insertion Loss True: 1.60dB Max.
 Frequency Sensitivity: ±0.7dB
 Directivity: 12dB Min.
 VSWR: 1.65:1 Max.
 Power Incident, Reflected: 20W, 5W, 3kW Peak

MATERIAL:			MICROWAVE COMMUNICATIONS LABORATORIES INC. 7255 30TH AVE. N. SAINT PETERSBURG, FL 33710 TEL: (727) 344-6254 FAX: (727) 381-6116 http://WWW.MCLI.COM		SHEET:	N/A
			UNLESS OTHERWISE SPECIFIED: TOLERANCES IN (INCHES) OR [mm] (MILLIMETERS) FRACTIONS: ± 1/64 DECIMALS: ±.01 ±.005 ANGLE: ±1/2°		DRAWING TITLE:	DIRECTIONAL COUPLER
DRAWN:		DATE:		PART NO.		
Paiboon Luekhamhan		06-21-2001		CB11-10		
APPROVED:		DATE:		CAGE CODE:	SIZE:	REV:
T. Nguyen		06-21-2001		OD2L5	A	N/A
		PROPRIETARY NOTICE: THE INFORMATION IN THIS DRAWING IS PROPRIETARY AND SHALL NOT BE USED OR DISCLOSED WITHOUT WRITTEN PERMISSION FROM MICROWAVE COMMUNICATIONS LABORATORIES INC. (MCLI)		DO NOT SCALE THE DRAWING		DWG NO.
		THIRD ANGLE PROJECTION 				81765