



Waveguide Bandpass Filter, W Band, 90 to 98 GHz

Description:

Model SWF-94308340-10-B1 is a W band waveguide bandpass filter with a passband frequency of 90 to 98 GHz and rejection frequencies from DC to 86 GHz and 104 to 110 GHz. The nominal insertion loss of the bandpass filter is 2.5 dB and the typical rejection is 40 dB. Since both low end and high end cut off frequencies can be selected by modifying the design, custom designs are available under different model numbers.



Features:

- Low Cost
- Low Insertion Loss
- High Rejection

Applications:

- Communication Systems
- Radar Systems
- Sub-assemblies

Electrical Specifications:

Parameter	Minimum	Typical	Maximum
Passband Frequency	90 GHz		98 GHz
Passband Insertion Loss		2.5 dB	
Passband Ripple		±0.3 dB	
Rejection Frequency, Low Side	DC		86 GHz
Rejection Frequency, High Side*	104 GHz		110 GHz
Rejection		40 dB	
Passband VSWR		1.5:1	
Specification Temperature		+25 °C	
Operating Temperature	-40 °C		+85 °C

*Note: High side rejection extends beyond 110 GHz.

Mechanical Specifications:

Item	Specification
Waveguide	WR-10 Waveguide with UG-387/U-M Flange
Material	Aluminum
Finish	Gold Plated
Weight	0.4 Oz
Size	1.20" (L) X 0.75" (Ø)
Outline	WF-BW

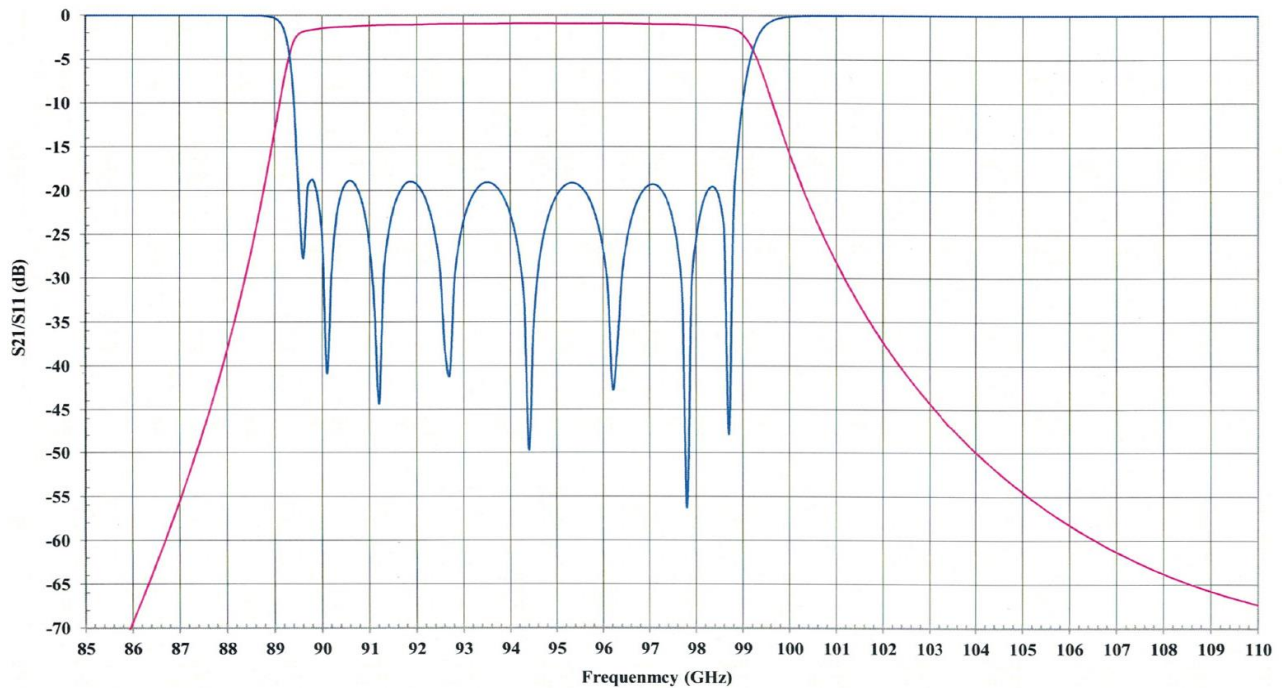
Simulated Data



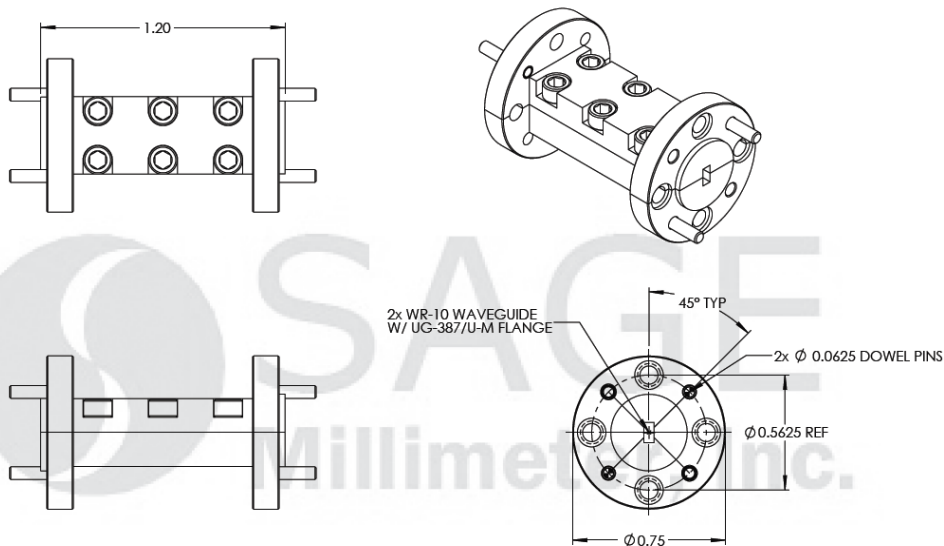
www.sagemillimeter.com | 3043 Kashiwa Street, Torrance, CA 90505
 Phone: 424-757-0168 | Fax: 424-757-0188 | Email: sales@sagemillimeter.com



Waveguide Bandpass Filter, W Band, 90 to 98 GHz



Mechanical Outline: (Unless otherwise specified, all dimensions are in inches)



Note:

- All data presented are simulated. Actual data may vary.
- SAGE Millimeter, Inc. reserves the right to change the information presented without notice.

Caution:

- Any foreign objects in the waveguide will degrade performance and/or damage the device.



www.sagemillimeter.com | 3043 Kashiwa Street, Torrance, CA 90505
 Phone: 424-757-0168 | Fax: 424-757-0188 | Email: sales@sagemillimeter.com