



## Waveguide Bandpass Filter, F Band, 119.5 to 120.5 GHz

### Description:

**Model SWF-12401340-08-B1** is an F band waveguide bandpass filter with a passband frequency of 119.5 to 120.5 GHz and rejection frequencies from DC to 117 GHz and 123 to 130 GHz. The nominal insertion loss of the bandpass filter is 2.5 dB and the typical rejection is 40 dB. Since both low end and high end cut off frequencies can be selected by modifying the design, custom designs are available under different model numbers.



### Features:

- Low Cost
- Low Insertion Loss
- High Rejection

### Applications:

- Communication Systems
- Radar Systems
- Sub-assemblies

### Electrical Specifications:

Parameter	Minimum	Typical	Maximum
Passband Frequency	119.5 GHz		120.5 GHz
Passband Insertion Loss		2.5 dB	
Rejection Frequency, Low Side	DC		117 GHz
Rejection Frequency, High Side*	123 GHz		130 GHz
Rejection		40 dB	
Specification Temperature		+25 °C	
Operating Temperature	-40 °C		+85 °C

### Mechanical Specifications:

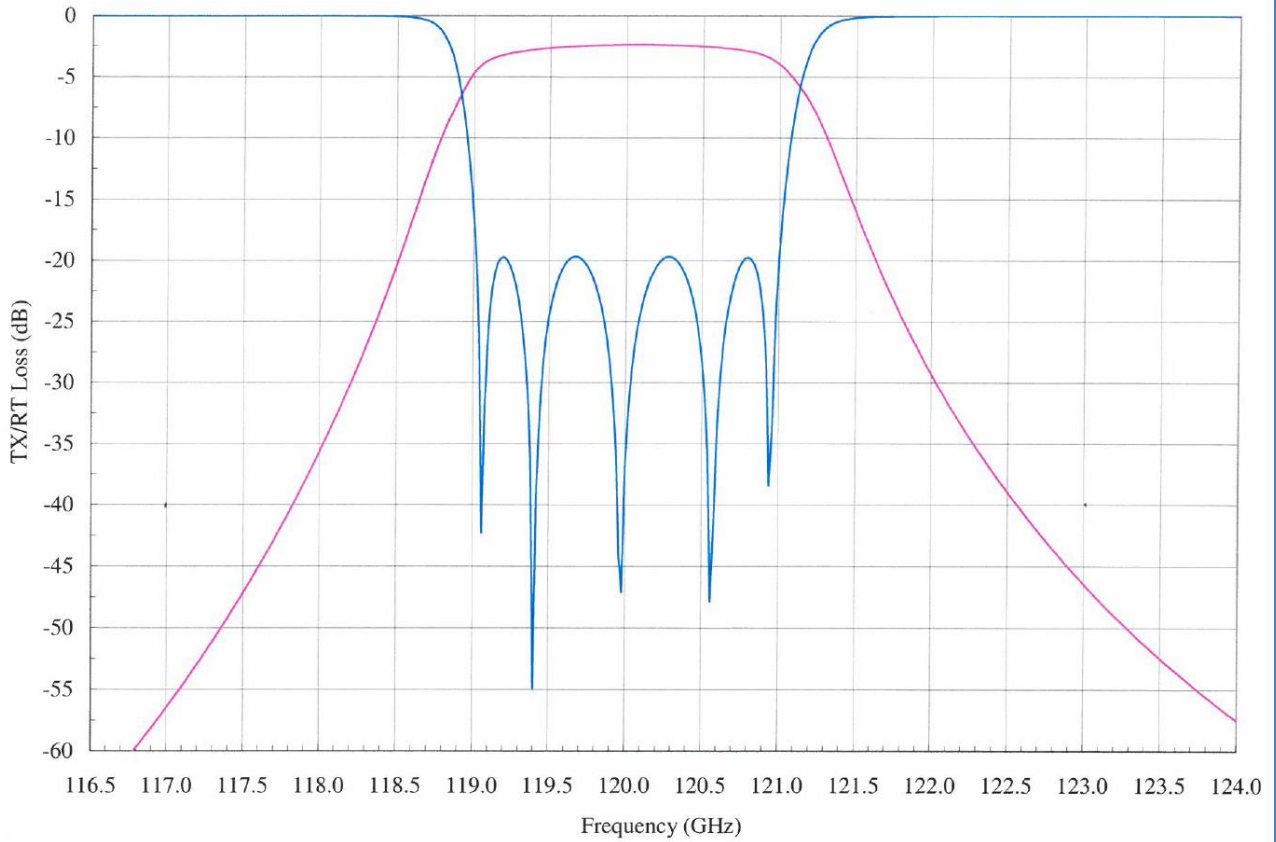
Item	Specification
Waveguide	WR-08 with UG-387/U-M Flange
Material	Aluminum
Finish	Gold Plated
Weight	0.4 Oz
Size	1.20" (L) X 0.75" (Ø)
Outline	WF-BF



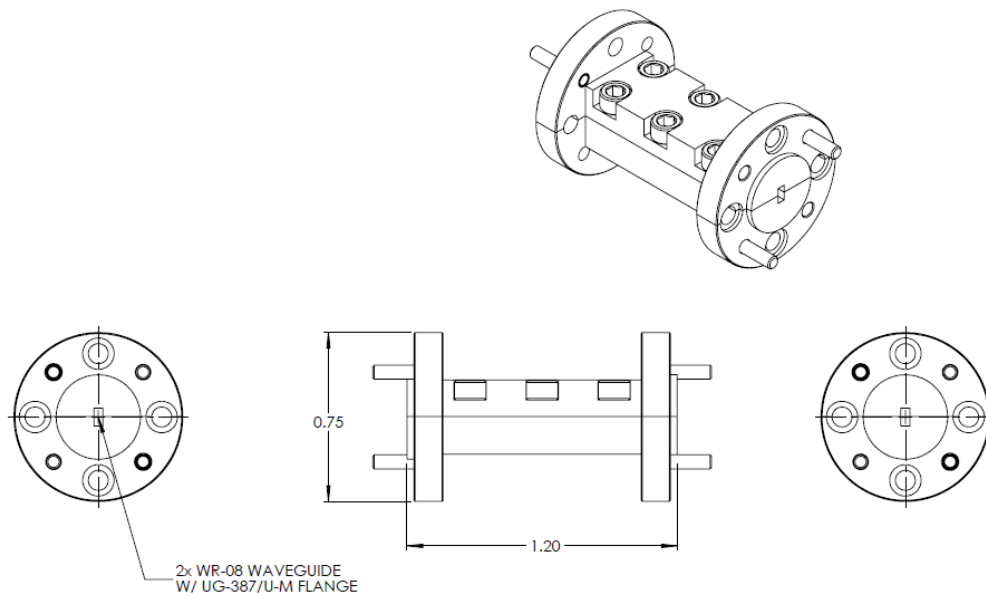


## Waveguide Bandpass Filter, F Band, 119.5 to 120.5 GHz

### Simulated Data



### Mechanical Outline: (Unless otherwise specified, all dimensions are in inches)



www.sagemillimeter.com | 3043 Kashiwa Street, Torrance, CA 90505  
 Phone: 424-757-0168 | Fax: 424-757-0188 | Email: sales@sagemillimeter.com

## Waveguide Bandpass Filter, F Band, 119.5 to 120.5 GHz

**Note:**

- All data presented is simulated. Actual data may vary.
- SAGE Millimeter, Inc. reserves the right to change the information presented without notice.

**Caution:**

- Any foreign objects in the waveguide will degrade performance and/or damage the device.

