

WR-08 Waveguide Spacer, 50 Mils, 3/8 λg

Description:

SWI-08050-SB is a 0.050" thick, 3/8 wavelength, instrumentation grade F Band waveguide spacer (shim) with WR-08 window and UG-387/U-M circular flange. The spacer is manufactured with a precision machining process to ensure high quality and ruggedness. The spacer is offered to cover the frequency range of 90 to 140 GHz.



Features:

- Frequency Range: 90 to 140 GHz
- 3/8 Wavelength
- Low Insertion Loss
- Instrumentation Grade

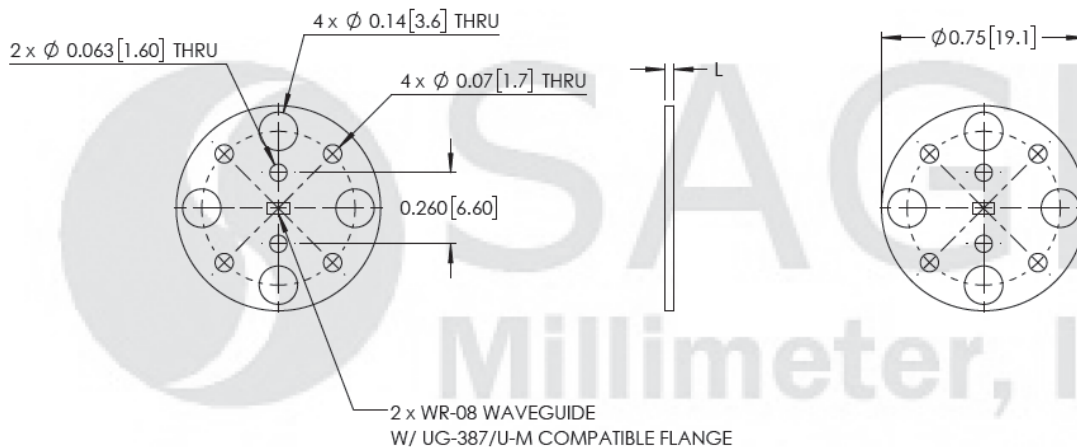
Applications:

- Module Tuning
- Sub-assemblies
- Mechanical Fitting
- VNA Calibration

Mechanical Specifications:

Item	Specification
Waveguide Size	WR-08 Waveguide with UG-387/U-M Flange
Material	Brass
Finish	Gold Plated
Weight	0.3 Oz
Insertion Length	0.050" (L)
Outline	WI-FL

Mechanical Outline: (Unless otherwise specified, all dimensions are in inches [millimeters])



Note:

- Length "L" is customizable.
- SAGE Millimeter, Inc. reserves the right to change the information presented without notice.



www.sagemillimeter.com | 3043 Kashiwa Street, Torrance, CA 90505
 Phone: 424-757-0168 | Fax: 424-757-0188 | Email: sales@sagemillimeter.com