



WR-22 Waveguide Spacer, 92 Mils, 1/4 λg

Description:

SWI-22046-SB is a 0.092" thick, 1/4 wavelength, instrumentation grade Q Band waveguide spacer (shim) with WR-22 window and UG-383/U circular flange. The spacer is manufactured with a precision machining process to ensure high quality and ruggedness. The spacer is offered to cover the frequency range of 33 to 50 GHz.



Features:

- Frequency Range: 33 to 50 GHz
- 1/4 Wavelength
- Low Insertion Loss
- Instrumentation Grade

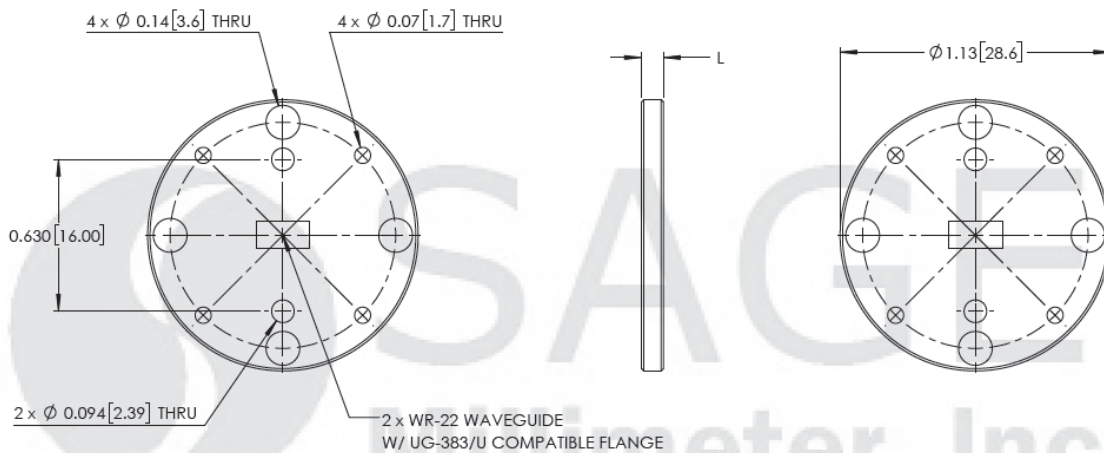
Applications:

- Module Tuning
- Sub-assemblies
- Mechanical Fitting
- VNA Calibration

Mechanical Specifications:

| Item | Specification |
|------------------|--------------------------------------|
| Waveguide Size | WR-22 Waveguide with UG-383/U Flange |
| Material | Brass |
| Finish | Gold Plated |
| Weight | 0.5 Oz |
| Insertion Length | 0.092"(L) |
| Outline | WI-QL |

Mechanical Outline: (Unless otherwise specified, all dimensions are in inches [millimeters])



Note:

- Length "L" is customizable.
- SAGE Millimeter, Inc. reserves the right to change the information presented without notice.

