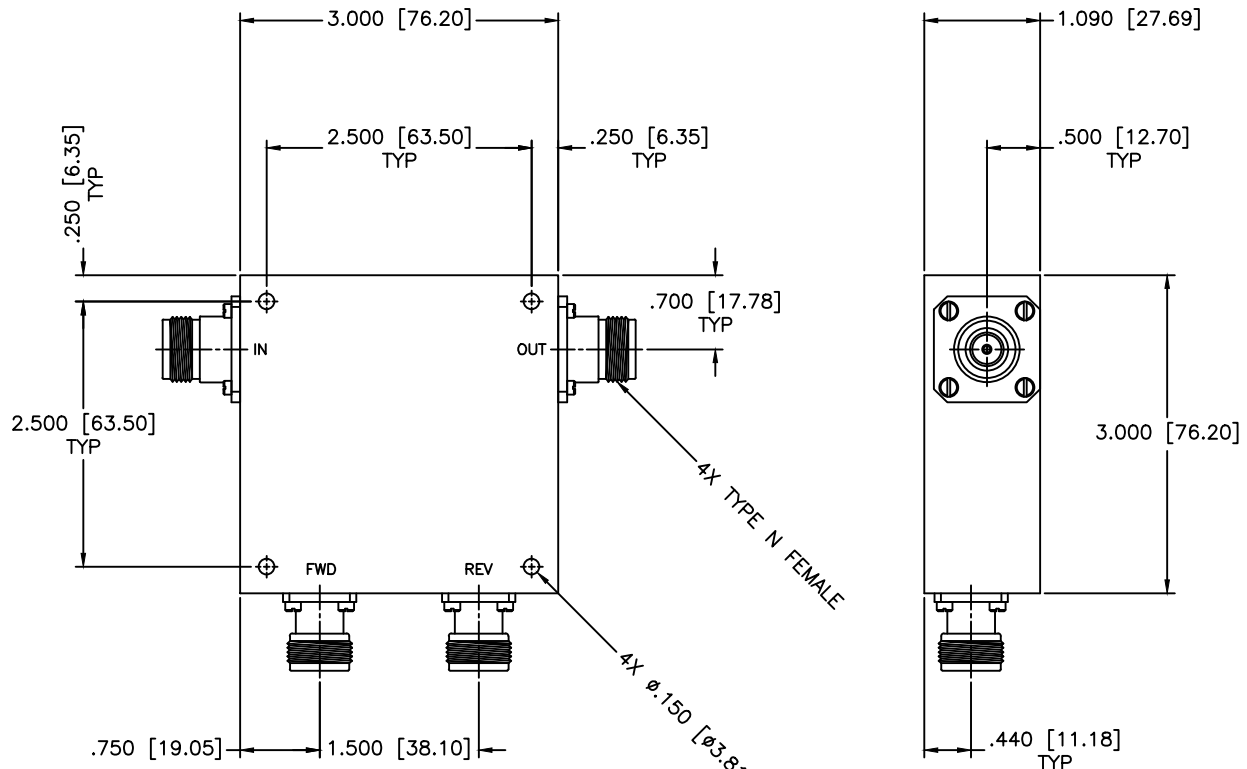


REVISIONS				
ZONE	REV	DESCRIPTION	DATE	APPROVED



SPECIFICATIONS

FREQUENCY RANGE: 200–800 MHz
 POWER: 1000W CW (10kW PEAK) @ 25°C
 FLATNESS: 50±0.5dB Max. (FWD) 200–800MHz
 50±0.15dB Max. (FWD) 240–225MHz
 40±0.5dB Max. (FWD) 200–800MHz
 40±0.15dB Max. (FWD) 240–225MHz
 INSERTION LOSS: 0.25dB Max. 200–800MHz
 0.10dB Max. 240–255MHz
 VSWR (M): 1.20:1 Max. Mainline
 1.50:1 Coupled Ports
 DIRECTIVITY: 20dB Min. 200–800MHz
 25dB Min. 240–255MHz
 TEMPERATURE RANGE: 0°C to 40°C
 HUMIDITY: 90% NONE–CONDENSING

MATERIAL:		 UNLESS OTHERWISE SPECIFIED: TOLERANCES IN (INCHES) OR [mm] (MILLIMETERS) FRACTIONS: ± 1/64 DECIMALS: ± .02 ± .008 ANGLE: ± 1/2°	MICROWAVE COMMUNICATIONS LABORATORIES INC. 7255 30TH AVE. N. SAINT PETERSBURG, FL 33710 TEL: (727) 344-6254 FAX: (727) 381-6116 http://WWW.MCLI.COM		SCALE: N/A
DRAWING TITLE: HIGH POWER DUAL DIRECTIONAL COUPLER			PART NO.: HDL-29-50SP		SHEET: N/A
DRAWN: Paiboon Luekhamhan DATE: 11-08-2006	APPROVED: T. Nguyen DATE: 11-08-2006	PROPRIETARY NOTICE: THE INFORMATION IN THIS DRAWING IS PROPRIETARY AND SHALL NOT BE USED OR DISCLOSED WITHOUT WRITTEN PERMISSION FROM MICROWAVE COMMUNICATIONS LABORATORIES INC. (MCLI)	CAGE CODE: OD2L5	SIZE: N/A REV: N/A DO NOT SCALE THE DRAWING	DWG NO.: 82699