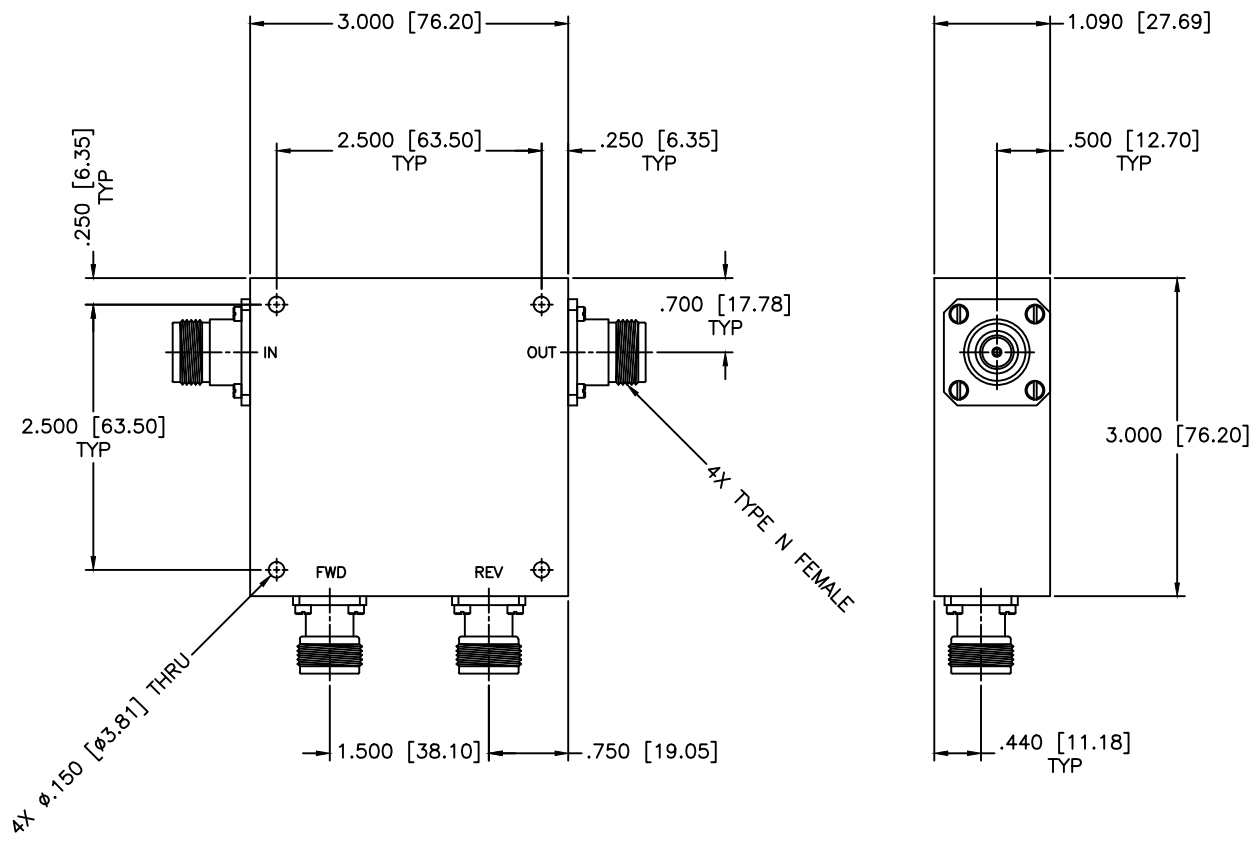


REVISIONS				
ZONE	REV	DESCRIPTION	DATE	APPROVED



**SPECIFICATIONS**

FREQUENCY RANGE: 100–700 MHz  
 COUPLING: 50dB  
 FLATNESS: ±0.5dB  
 INSERTION LOSS: 0.15dB Max.  
 DIRECTIVITY: 20dB Min.  
 VSWR PRIME LINE: 1.15:1 Max.  
 POWER: 3,000W CW

MATERIAL:			MICROWAVE COMMUNICATIONS LABORATORIES INC. 7255 30TH AVE. N. SAINT PETERSBURG, FL 33710 TEL: (727) 344-6254 FAX: (727) 381-6116 http://WWW.MCLI.COM		SCALE: N/A
			UNLESS OTHERWISE SPECIFIED: TOLERANCES IN (INCHES) OR [mm] (MILLIMETERS) FRACTIONS: ± 1/64 DECIMALS: ± .02 ± .008 ANGLE: ± 1/2°		SHEET: N/A
DRAWING TITLE:		HIGH POWER DUAL DIRECTIONAL COUPLER			
PART NO.:		HDL-24-50			
DRAWN:	DATE:	PROPERTY NOTICE:		CAGE CODE:	SIZE:
Paiboon Luekhamhan	01-06-2011	THE INFORMATION IN THIS DRAWING IS PROPRIETARY AND SHALL NOT BE USED OR REPRODUCED WITHOUT WRITTEN PERMISSION FROM MICROWAVE COMMUNICATIONS LABORATORIES INC. (MCLI)		OD2L5	N/A
APPROVED:	DATE:	THIRD ANGLE PROJECTION		REV:	DWG NO.:
T. Nguyen	01-06-2011			N/A	85217
				DO NOT SCALE THE DRAWING	