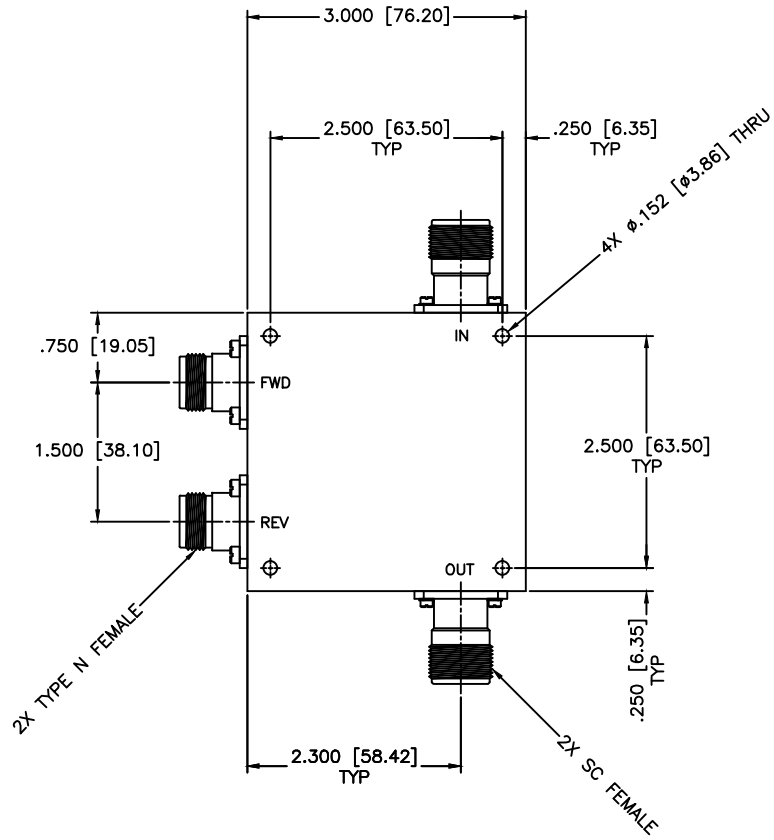
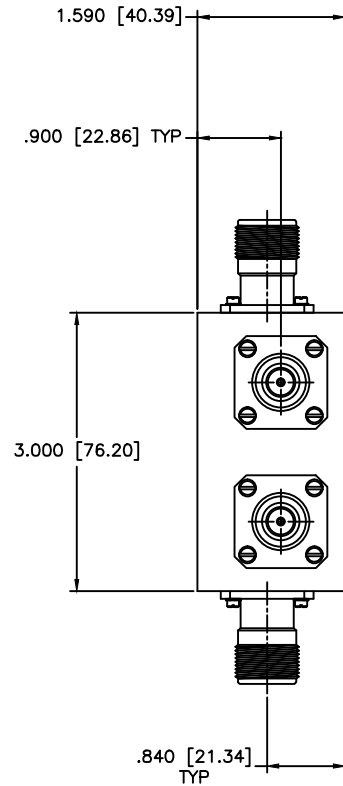


REVISIONS				
ZONE	REV	DESCRIPTION	DATE	APPROVED



**SPECIFICATIONS**

FREQUENCY RANGE: 80–1000 MHz  
 FLATNESS:  $\pm 0.3\text{dB}$   
 INSERTION LOSS: 0.1dB Max.  
 DIRECTIVITY: 20dB Min.  
 VSWR: 1.20:1 Max.  
 POWER: 2500 Watts CW

MATERIAL:		<b>MCLI</b> MICROWAVE COMMUNICATIONS LABORATORIES INC. 7255 30TH AVE. N. SAINT PETERSBURG, FL 33710 TEL: (727) 344-6254 FAX: (727) 381-6116 http://www.mcli.com	SCALE:	N/A
			SHEET:	N/A
		UNLESS OTHERWISE SPECIFIED: TOLERANCES IN (INCHES) OR [mm] (MILLIMETERS) FRACTIONS: $\pm 1/64$ DECIMALS: $\pm 0.01 \pm 0.005$ ANGLE: $\pm 1/2^\circ$	DRAWING TITLE: <b>HIGH POWER DUAL DIRECTIONAL COUPLER</b>	
			PART NO.: <b>HDL-5-50</b>	
DRAWN: Piaboon Luekhamhan	DATE: 02-21-2012	PROPRIETARY NOTICE: THE INFORMATION IN THIS DRAWING IS PROPRIETARY AND SHALL NOT BE USED OR DISCLOSED WITHOUT WRITTEN PERMISSION FROM MICROWAVE COMMUNICATIONS LABORATORIES INC. (MCLI)	CAGE CODE: OD2L5	SIZE: C
APPROVED: T. Nguyen	DATE: 02-21-2012	THIRD ANGLE PROJECTION	REV: A	DWG NO.: 81254
			DO NOT SCALE THE DRAWING	