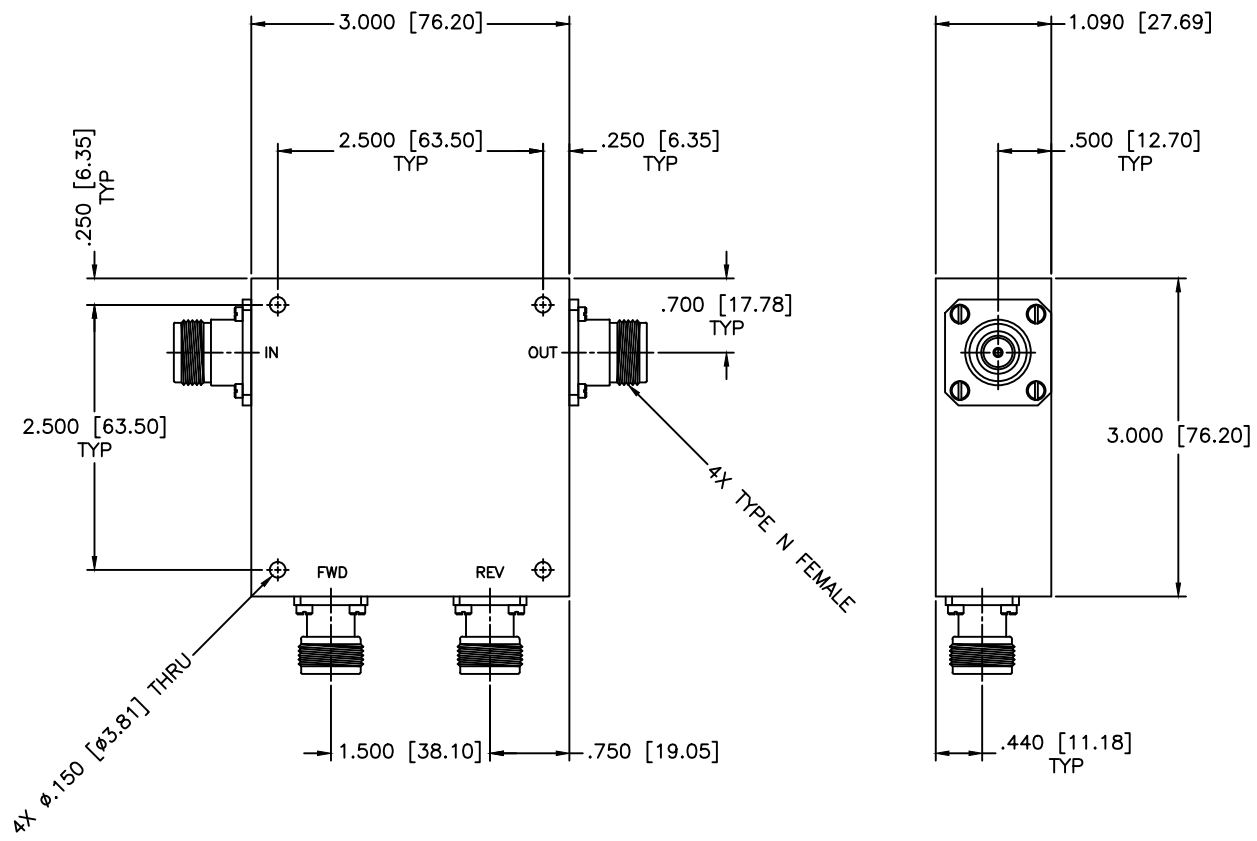


REVISIONS				
ZONE	REV	DESCRIPTION	DATE	APPROVED



SPECIFICATIONS

FREQUENCY RANGE: 800–3000 MHz
 COUPLING: 40dB
 FLATNESS: ±0.75dB
 INSERTION LOSS: 0.20dB Max.
 DIRECTIVITY: 20dB Min.
 VSWR PRIME LINE: 1.30:1 Max.
 POWER: 200W CW

MATERIAL:			MICROWAVE COMMUNICATIONS LABORATORIES INC. 7255 30TH AVE. N. SAINT PETERSBURG, FL 33710 TEL: (727) 344-6254 FAX: (727) 381-6116 http://WWW.MCLI.COM		SCALE:	N/A
UNLESS OTHERWISE SPECIFIED: TOLERANCES IN (INCHES) OR [mm] (MILLIMETERS) FRACTIONS: ± 1/64 DECIMALS: ± .02 ± .008 ANGLE: ± 1/2°			DRAWING TITLE:		SHEET:	
DRAWN: Paiboon Luekhamhan		DATE: 12-22-2010		PART NO.:		HDL-49-40
APPROVED: T. Nguyen		DATE: 12-22-2010		CAGE CODE:		OD2L5
THIRD ANGLE PROJECTION		SIZE:		N/A	REV:	N/A
				DWG NO.:		86199
				DO NOT SCALE THE DRAWING		