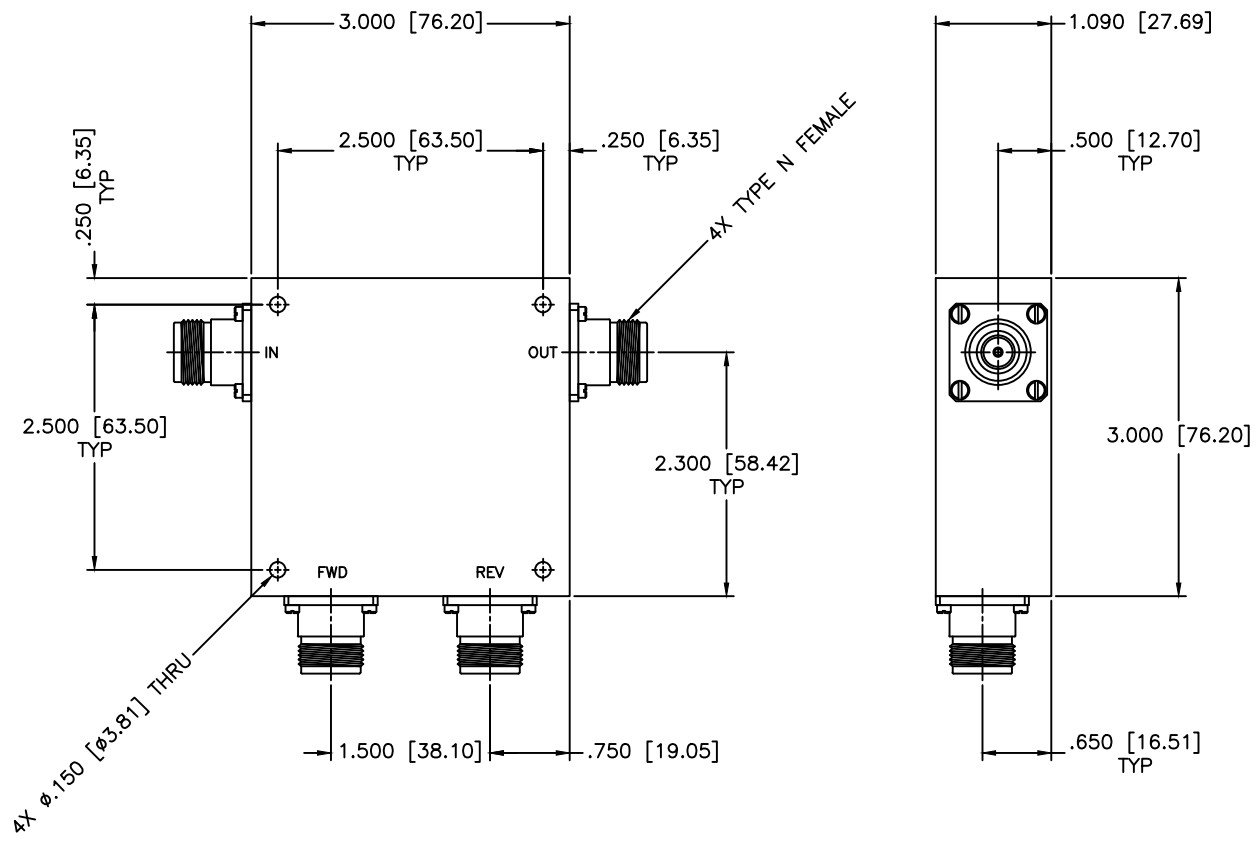


REVISIONS				
ZONE	REV	DESCRIPTION	DATE	APPROVED



4X  $\phi$ .150 [3.81] THRU

4X TYPE N FEMALE

**SPECIFICATIONS**

FREQUENCY RANGE: 200-1000 MHz  
 COUPLING: 40±1.0dB Nom.  
 FLATNESS: ±0.30dB  
 INSERTION LOSS: 0.20dB Max.  
 DIRECTIVITY: 20dB Min.  
 VSWR PRIME LINE: 1.10:1 Max.  
 POWER: 500W CW

MATERIAL:			MICROWAVE COMMUNICATIONS LABORATORIES INC. 7255 30TH AVE. N. SAINT PETERSBURG, FL 33710 TEL: (727) 344-6254 FAX: (727) 381-6116 http://www.mcli.com		SCALE: N/A
UNLESS OTHERWISE SPECIFIED: TOLERANCES IN (INCHES) OR [mm] (MILLIMETERS) FRACTIONS: ± 1/64 DECIMALS: ±.02 ±.008 ANGLE: ±1/2°			DRAWING TITLE: <b>HIGH POWER DUAL DIRECTIONAL COUPLER</b>		SHEET: N/A
DRAWN: Paiboon Luekhamhan		DATE: 02-12-2014		PART NO. <b>HDL-4-40/500</b>	
APPROVED: T. Nguyen		DATE: 02-12-2014		CAGE CODE: OD2L5	SIZE: N/A REV: N/A DWG NO. 86650
THIRD ANGLE PROJECTION		DO NOT SCALE THE DRAWING			

