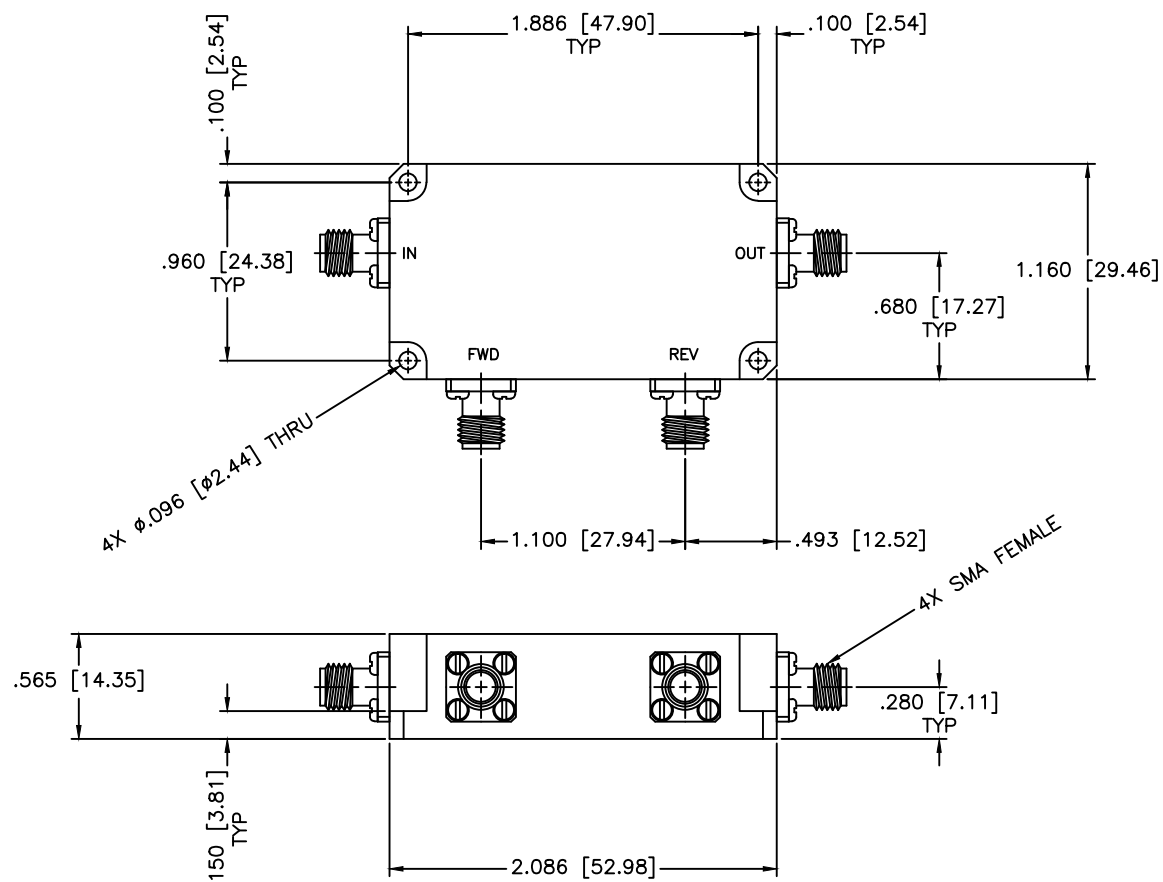


REVISIONS				
ZONE	REV	DESCRIPTION	DATE	APPROVED



SPECIFICATIONS

- FREQUENCY RANGE: 10–1000 MHz
- COUPLING: 40±1.0dB Nom.
- FLATNESS: ±0.5dB Max.
- INSERTION LOSS: 0.40dB Max.
- DIRECTIVITY: 20dB Min.
- VSWR PRIME LINE: 1.30:1 Max.
- POWER: 250W CW

MATERIAL:		MICROWAVE COMMUNICATIONS LABORATORIES INC. 7255 30TH AVE. N. SAINT PETERSBURG, FL 33710 TEL: (727) 344-6254 FAX: (727) 381-6116 http://WWW.MCLI.COM	SCALE:	N/A
UNLESS OTHERWISE SPECIFIED: TOLERANCES IN (INCHES) OR (mm) (MILLIMETERS) FRACTIONS: ± 1/64 DECIMALS: ±.01 ±.009 ANGLE: ±1/2°			DRAWING TITLE:	HIGH POWER DUAL DIRECTIONAL COUPLER
DRAWN: Paiboon Luekhamhan		PART NO. HDL-29-40		
DATE: 09-28-2016		PROPRIETARY NOTICE: THE INFORMATION IN THIS DRAWING IS PROPRIETARY AND SHALL NOT BE USED OR DISCLOSED WITHOUT WRITTEN PERMISSION FROM MICROWAVE COMMUNICATIONS LABORATORIES INC. (MCLI)		
APPROVED: T. Nguyen		CAGE CODE: OD2L5		
DATE: 09-28-2016		SIZE: A REV: N/A		DWG NO. 85808
		DO NOT SCALE THE DRAWING		