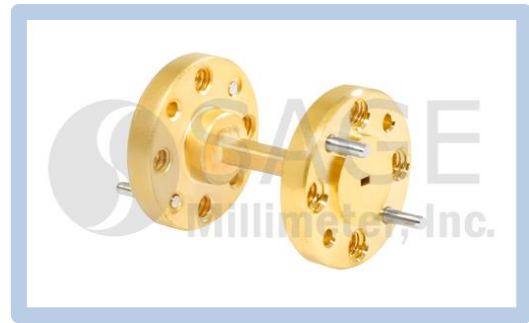


## WR-06 Straight Waveguide Section, 1"

### Description:

**SWG-06010-FB** is a 1" long, D-band straight waveguide section with a WR-06 waveguide and UG-387/U-M circular flanges. The straight waveguide is manufactured with a precision machining process to ensure high quality and ruggedness. The waveguide is offered to cover the frequency range of 110 to 170 GHz.



### Features:

- Frequency Range: 110 to 170 GHz
- Rugged Waveguide Configuration
- Low Insertion Loss

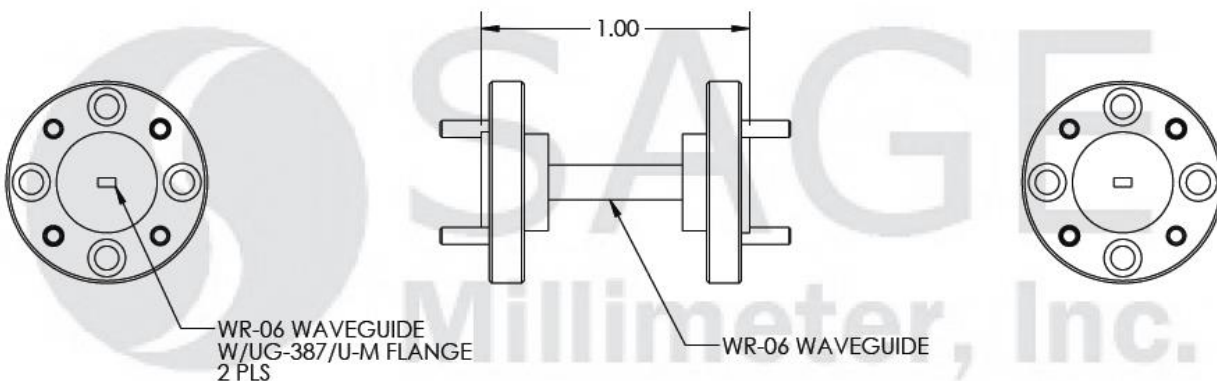
### Applications:

- Test Instrumentation
- Sub-assemblies

### Mechanical Specifications:

Item	Specification
Waveguide Size	WR-06 Waveguide with UG-387/U-M Flange
Insertion Length	1.0"
Flange Material	Brass
Waveguide Material	Copper
Finish	Gold Plated
Weight	0.6 Oz
Outline	WG-FD

**Mechanical Outline:** (Unless otherwise specified, all dimensions are in inches [millimeters])



### Note:

- SAGE Millimeter, Inc. reserves the right to change the information presented without notice.

